

# XHV Series

## X-Proof Housing for Viewing Displays in Hazardous Areas

### Features:

- Available for 1/8 DIN and DIN 144 x 72 mm Cases
- Meets NEMA 7 & 4 Specs.
- For use in Class 1, Division 1, Groups C & D
- For use in Class 2 & 3, Division 1, Groups E, F & G
- UL, cUL Approved
- Magnetic Reset Switch Available

### Specifications:

This housing is designed and manufactured in compliance with UL Standard No. 1203 and was investigated to CSA Standard C22.2 No. 30-M1986 by UL for use in Class 1, Division 1, Groups C & D and Class II & III, Division I, Groups E, F & G hazardous locations.

### Certified by:

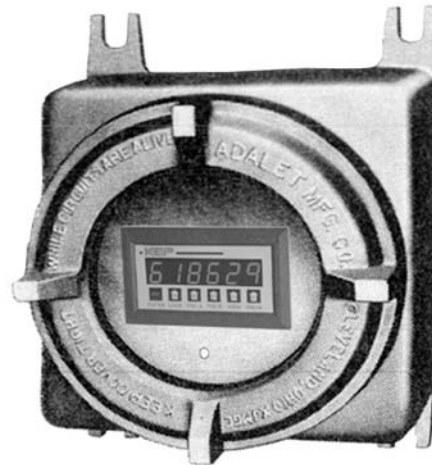
ADALET  
UL (file# E81696)

The housing is made from cast aluminum and sealed to meet NEMA 7 and 4 specifications.

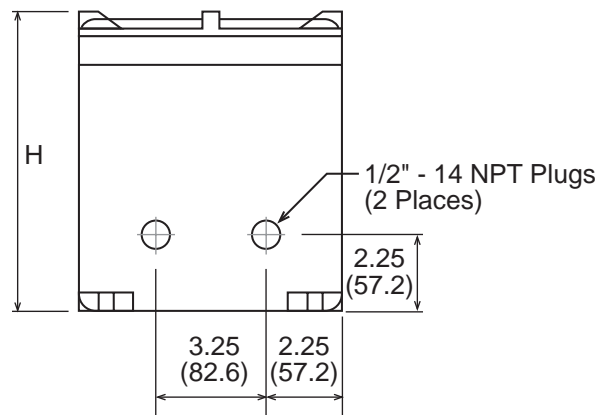
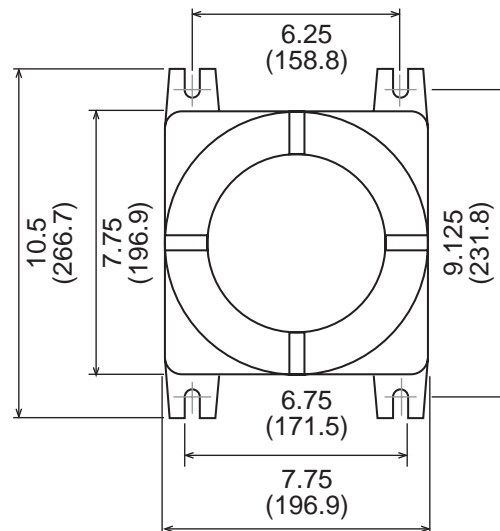
To install a unit, the cover must be removed and the KEP unit mounted in the sub panel provided.

### Empty weight:

XHV = 19 lbs.  
XHVD = 22 lbs.



### Dimensions:



H
XHV = 8.5 (215.9)
XHVD = 11.5 (292.1)

### Ordering Information

Example: **XHV 7/4 A A S1**  
Series: \_\_\_\_\_

XHV 7/4 (8.5" high for INT69, MRT, Reporter, etc.)  
XHVD 7/4 (11.5" high for SUPERtrol 1 and 2, LEVELtrol II)

Mounting Sub Panel: \_\_\_\_\_  
A = Panel for (1) 1/8 DIN unit (INT69, MRT, etc.)  
B = Panel for (2) 1/8 DIN units (INT69, MRT, etc.)  
C = Panel for (1) DIN 144 x 72mm unit (ST1, ST2, LT2, Reporter)

Assembly By KEP: \_\_\_\_\_  
A = Assembled by KEP  
X = No Assembly

Options: \_\_\_\_\_  
S1 = 1 Magnetic Reset Switch and Magnet  
S2 = 2 Magnetic Reset Switches and Magnet

Accessories:  
XHVA-1 = Magnetic Switch  
XHVA-2 = Actuating Magnet

**Note:** When placing the order, the unit part number directly following the XHV part number on the Purchase Order is the one that will be assembled into the XHV housing.