

# **BAT R/T Millennium-S2**

**Ratemeter / Totalizer with RS485 & Modbus Protocol**

Installation and Operating Instructions



**KESSLER-ELLIS PRODUCTS**

10 Industrial Way East

Eatontown, NJ 07724

800-631-2165 • 732-935-1320

Fax: 732-935-9344



<http://www.kep.com>





# CONTENTS

Specifications .....	1
Battery Installation and Replacement .....	3
Dimensions .....	4
Theory of Operation.....	5
Wiring .....	5
Typical Applications .....	5
RS-232 Wiring .....	6
RS-485 Wiring .....	6
Definitions .....	7
Programming Flowchart .....	10
Operation.....	13
Error Messages .....	14
Analog Output Calibration .....	14
Warranty .....	15
Decoding Part Number .....	15
Apendix A: Modbus RTU Protocol .....	16



# SPECIFICATIONS

## Description

Featuring 5 digits of rate and 8 digits of total, the BAT R/T Millennium edition (BATRT-M) is a battery or loop powered indicator capable of accepting magnetic pickup, DC pulse and switch closure inputs from pulse producing flowmeters. The unit can be ordered with an optional 4-20mA output. The BATRT-M uses the 4-20mA loop to provide power when this output is used. Other options include: Datalogging, RS232 with setup software, and RS485 with Modbus Protocol.

## Specifications

### Power:

#### BATTERY POWERED

Supplied with 1 or 2 C size Lithium battery pack.

#### EXTERNAL POWER INPUT

Voltage: 8.5 to 30 VDC

Current: Less than 5 mA

Supplied with 1 C size lithium battery

Protection: Reverse Polarity Protection on DC Power Input

#### LOOP POWERED

Voltage: 8.5 to 30 VDC

Supplied with 1 or 2 C size lithium battery(ies)

Protection: Reverse Polarity Protection on Current Loop

Loop Burden: 8.5V maximum

### BATTERY LIFE EXPECTANCY:

Expected Years of Operation for BATRT-M of various powering options at equipment duty cycles

MODEL	RUN TIME			
	Idle	2hrs/day	8hrs/day	24hrs/day
BATRT-M-A	10 yrs	10 yrs	10 yrs	9.1 yrs
BATRT-M-A-4	10 yrs	10 yrs	10 yrs	8.4 yrs
BATRT-M-B/C	10 yrs	10 yrs	10 yrs	10 yrs

standby-operation

BATRT-M -B/C Indefinite operation when externally powered

External or loop power

**NOTE:** Battery shelf life is rated at 10 years by manufacturer

Life expectancy based on rated battery capacity at 20°C

The above table is shown with pulse output inactive.

Use of pulse output shortens battery life.

Example: A pulse output of 0.06 sec. duration, once per second, would derate the battery life by 20%.

## DISPLAY:

Rate Display: (selectable decimal)

5 Digits (99999), 0.35" High, Display updates once per second with battery power, 8X per second with DC or Loop power

Rate Descriptors: /SEC, /MIN, /HR  
/MIN, /HR, /DAY with "D" option

Min. Input Frequency: 0.01 Hz to 10 Hz (selectable delay of 0.1 to 99.9 seconds) Selectable Rate Display Damping

Totalizer Display: (selectable decimal)

8 Digits (99999999), 0.2" High

Totalizer Descriptors: GAL, LIT, FT3, M3, "blank"  
GAL, BBL, MCF, M3, "blank" with "D" option

Display is viewable from -22°F (-30°C) to + 158°F (70°C)

Warning Displays: Low battery warning

## PULSE OUTPUT:

The pulse output advances with the least significant digit of the totalizer or decimal multiples thereof (see Pulse scale divider).

Type: Isolated photomos relay

Max. voltage (off state): 30 VDC

Current (on state): 100mA

Pulse Duration: Selectable 0.5, 0.25, 0.125, 0.0625 seconds

Pulse Scale divider (Pulscale): User selectable, ÷1, ÷10, ÷100 or OFF

NOTE: Select OFF for max. battery life.

## ACCURACY:

0.01% Reading, ±1 count

Temperature Drift: 50 ppm/°C Worst Case

## ENVIRONMENTAL:

Maximum Temperature: + 158°F (70°C)

## HUMIDITY

0 - 90% Noncondensing

## MOUNTING STYLES:

- 0- Circuit Board- OEM option (consult factory)
- 1- Panel Mount - NEMA 4X Front
- 2- Wall Mount - NEMA 4X Enclosure  
(keypad mounted behind clear cover)
- 3- Explosion Proof - Class I, Division I, Groups B, C & D  
Class II, Division I, Groups E, F & G
- 5- Wall Mount - NEMA 4X Enclosure  
(keypad mounted on cover)
- 6- Double Ended Explosion Proof -  
Class I, Division I, Groups B, C & D  
Class II, Division I, Groups E, F & G  
(contact factory for details)

**NOTE:** Meter mounting kits available for styles 2, 3 and 5  
Consult Factory

## CSA Certification:

Style 3 Enclosure with option CSA is Certified Explosion Proof for:

CSA for Canada and USA  
Class I Division 1 Groups B,C,D  
Class II Division 1 Groups E,F,G  
Class III  
Enclosure: Type 4X  
Maximum Ambient Temperature +70C  
Input: 8-30 Vdc, 4-20mA  
Output: 4-20 mA

**CAUTION;** KEEP COVER TIGHT WHILE CIRCUITS ARE ALIVE, A SEAL SHALL BE INSTALLED WITHIN 450mm (18 in) OF THE ENCLOSURE WHEN USED IN GROUP B ATMOSPHERES AND WITHIN 1.5m (5 ft) WHEN USED IN GROUP C ATMOSPHERE

**CAUTION;** PLUG ANY UNUSED CONDUIT ENTRIES WITH A CERTIFIED CONDUIT PLUG

**AVERTIR;** GARDER LA COUVERTURE TENDUE PENDANT QUE CIRCUITS SONT VIVANTS, UN CACHET SERA INSTALLE DANS 450 mm (18 dans) DE LA CLOTURE QUAND UTILISE DANS LES ATMOSPHERES DE B DE GROUPE ET DANS 1.5m (5 ft) QUAND UTILISE DANS L'ATMOSPHERE DE C DE GROUPE

**AVERTIR;** BOUCHER LES ENTREES INUTILISEES DE CONDUIT AVEC UN BOUCHON DE CONDUIT CERTIFIE

\* Slow input pulse rates, large delay setting and internal math operations may delay the update rate of information.

# SPECIFICATIONS

(continued)

## INPUTS:

### MAGNETIC PICKUP INPUT

Frequency Range: 0 to 3500 Hz

Trigger Sensitivity: 10 mV p-p

Over Voltage Protected:  $\pm 30$  VDC

### OPTO-ISOLATED DC PULSE INPUT

High (logic 1): 4-30 VDC

Low (logic 0): Less Than 1 VDC

Minimum Current: .5 mA

Hysteresis: 0.4 VDC

Frequency Range: 0 to 5 kHz

Min. Pulse Width: 0.1 msec

### CONTACT CLOSURE INPUT (contact closure to common)

Internal Pullup Resistor: 100 K $\Omega$  to +3.6 VDC

High (logic 1): Open or 4-30 VDC

Low (logic 0): Less Than .5 VDC

Internal Switch Debounce Filter: 0 to 40 Hz

**NOTE:** Sustained contact closure will shorten battery life.

### RESET INPUT (contact closure to common)

Internal Pullup Resistor: 100 K $\Omega$  to +3.6 VDC

High (logic 1): Open or 4-30 VDC

Low (logic 0): Less Than .5 VDC

Minimum On : 25 msec

**NOTE:** Sustained contact closure will shorten battery life.

### K-FACTOR

Range: 0.001 to 99999999

Decimal Point Locations: XXXX.XXXX to XXXXXXXX

### 20 Point Linearization Option (10 Point with Data Logger option)

This feature allows the user to enter 20 different frequencies with 20 different corresponding K-Factors to linearize non linear signals.

## ANALOG OUTPUT OPTION:

Type: 4-20 mA follows rate display, Two wire hookup

Accuracy: 0.025% Full Scale at 20° C

Temperature Drift:

50 ppm/°C Typical

Reverse Polarity Protected

Update Rate: 8 times/second

**NOTE:** The BATRT-M uses the 4-20 mA loop power as its primary power source when this option is used. The battery is still required for standby battery operation.

## DATA STORAGE:

Setup Information: Stored in flash memory

Totalizer: Stored in battery backed RAM but can be saved to flash memory by operator for recall after battery change out.

## COMMUNICATIONS OPTION (S1):

### RS232 SERIAL SETUP SOFTWARE OPTION:

This option enables you to access a variety of process parameters through serial communications. PC compatible communications software is included with this option. With this software and a BAT R/T-M Serial Adapter Cable (BSAC1) you will be able to setup the BAT R/T-M through your PC.

### RS-485 MODBUS and DATA LOGGER OPTION (S2):

The optional RS-485 card utilizes Modbus RTU protocol to access a variety of process parameters. The Data Logger stores the totalizer to flash memory once every 24 hours at the time you set. The data logger can hold 27 days of totals, on the 28th day the oldest total in the logger is dropped. Requires external DC power: 6-28VDC (input is reverse polarity protected)

Current Draw:

Receiving: 2 mA

Transmitting: 125 mA (instantaneous peak)

## BATTERY INSTALLATION and REPLACEMENT

### Battery Installation:

All BATRTM models are shipped without the battery(ies) installed. This preserves battery life when the unit is not in service. When using external BATPACK, mount within 12" and plug connector into 3 position square posts (see Fig 1). Polarity is not a concern because center is common.

To install the battery, begin by locating the battery holder. The BATRTM-2, 3 and 5 require opening the enclosure cover and removing the BATRTM to expose the battery holder.

The plus terminal of the battery is marked with a (+) symbol stamped into the battery holder. Be sure to install the battery(ies) correctly.

Install battery(ies) to begin setup procedure. See Programming Flowchart to setup desired operating parameters.

### Battery Replacement:

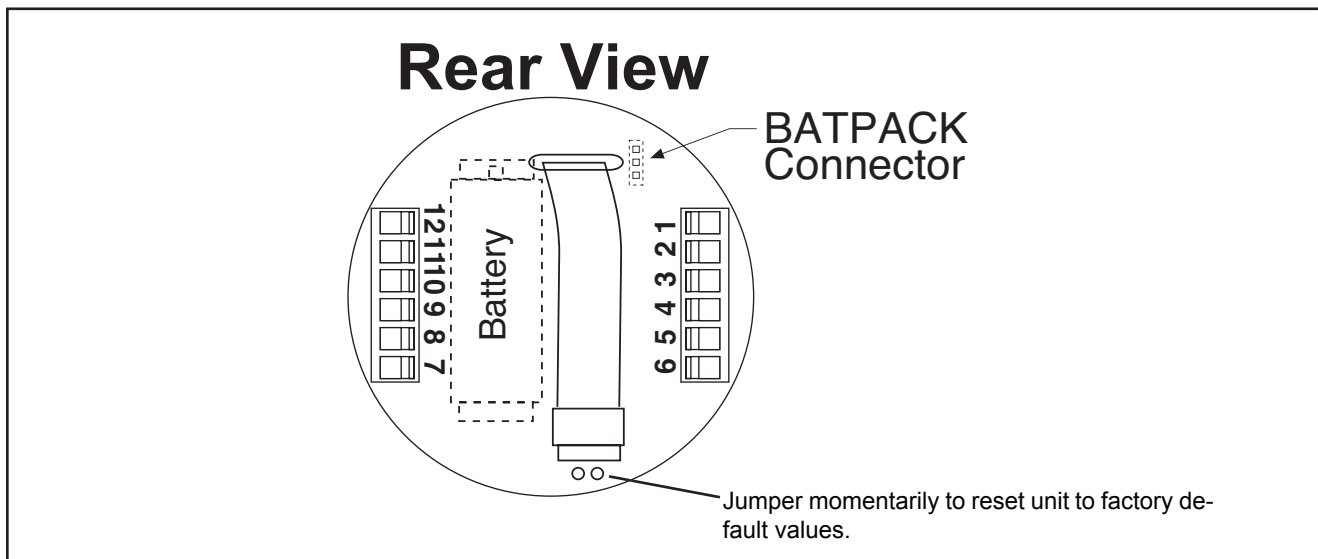
The BAT R/T-M has a battery monitor feature which illuminates when the lithium battery voltage approaches its end of life. A descriptor, "BAT", illuminates when the battery voltage falls below this predetermined value. The low battery detector operates correctly with all power options.

The battery, or batteries, should be replaced within several weeks of the first occurrence of low battery warning, "BAT". Left unattended, the unit may become inaccurate, cease to operate or malfunction.

Before replacing the battery(ies), Press the ← (left arrow) key to save the totalizer. The display will show "SAVE TOTAL". This will save the current total value and the total will resume from this value when the new battery(ies) is(are) installed. **NOTE:** If the display starts to flash after the "SAVE TOTAL" message times out, press the "E" (enter) key. If the message "E FLASH" is displayed, then there was not enough power left to save the setup and totalizer to flash memory. At this point you must record the totalizer and setup information and re-enter the setup data after the new battery(ies) is(are) installed.

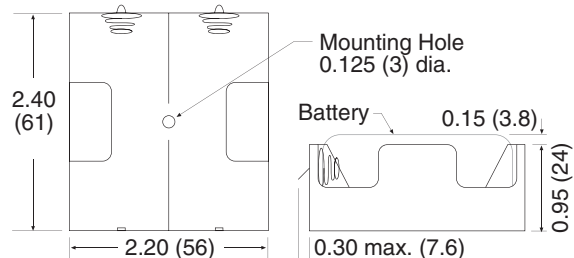
Install new battery(ies) as described above.

Fig 1

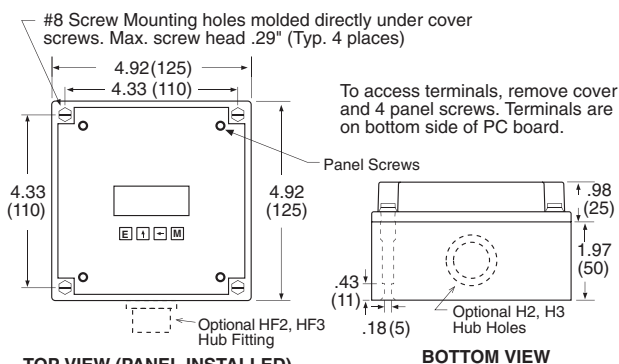


# DIMENSIONS

## BATPACK

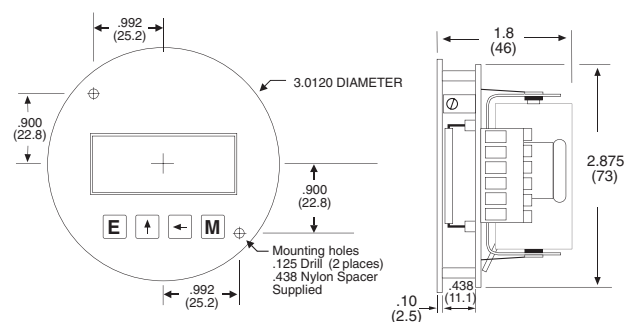


## BATRTM-2



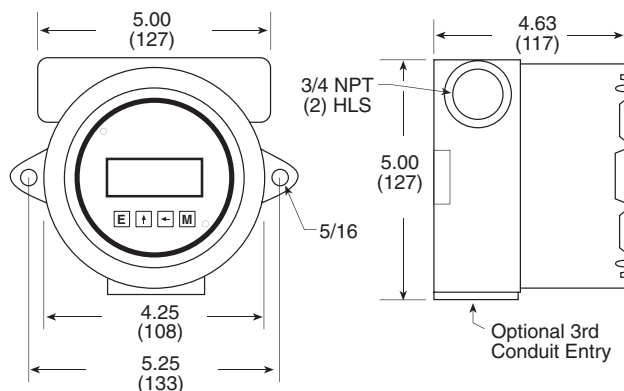
**NOTE:** Additional conduit entries available upon request.

## BATRTM-0

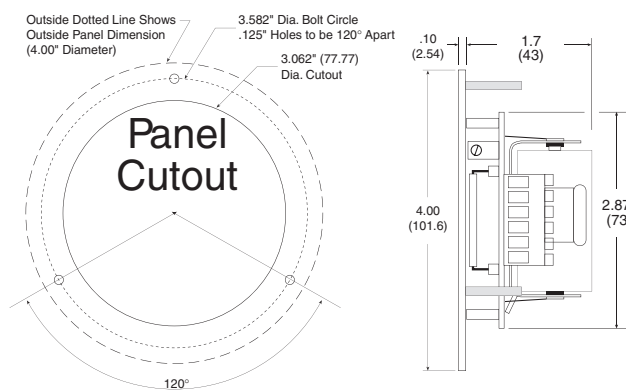


## BATRTM-3

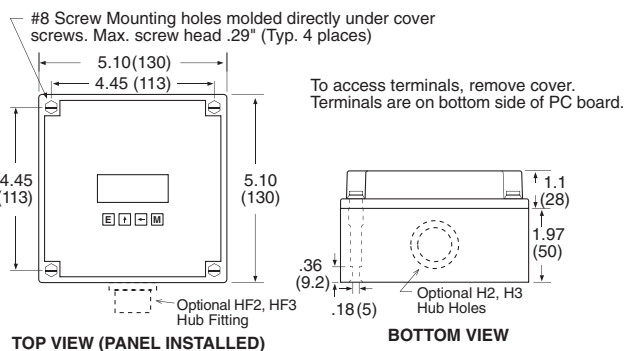
To access terminals, unscrew cover and loosen 2 panel screws. Terminals are on bottom side of PC board.



## BATRTM-1

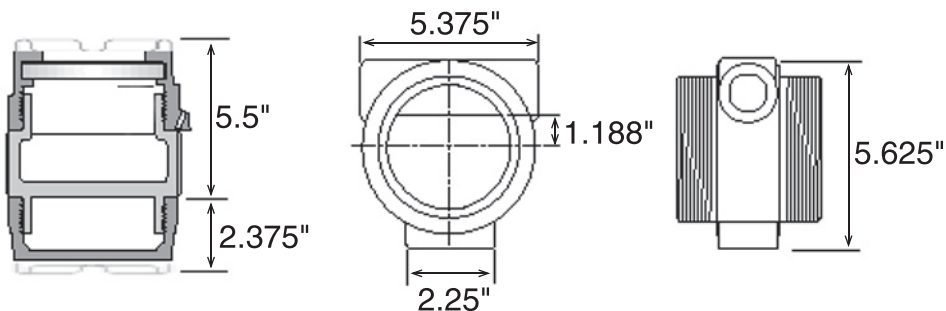


## BATRTM-5



**NOTE:** Additional conduit entries available upon request.

## BATRTM-6





## THEORY OF OPERATION

### Flow rate equation:

$$\text{Flow Rate Indication} = \frac{\text{Input Frequency}}{\text{FAC}} \times \text{Time Scaler}$$

Where Time Scaler is equal to: 1 for rate per second read out  
 60 for rate per minute read out  
 3600 for rate per hour read out  
 86400 for rate per day read out  
 "D" option Only

### Flow total equation:

$$\text{Flow Total} = \frac{\text{Sum of Input Pulses}}{\text{FAC}}$$

### 10 Point Linearization Option:

A 10 point linearization table is used to construct a curve describing the relationship of K-Factor and input frequency. The measured input frequency is used to access the table. A linear interpolation of adjacent point pairs is used to arrive at the K-Factor at that input frequency. The flow rate and total are then computed based upon the K-Factor for that measurement sample.

**NOTE:** For best performance and resolution choose as many decimal places as possible in the K-Factor.  
 Example: Enter a K-Factor of 1 as 1.000.

## WIRING

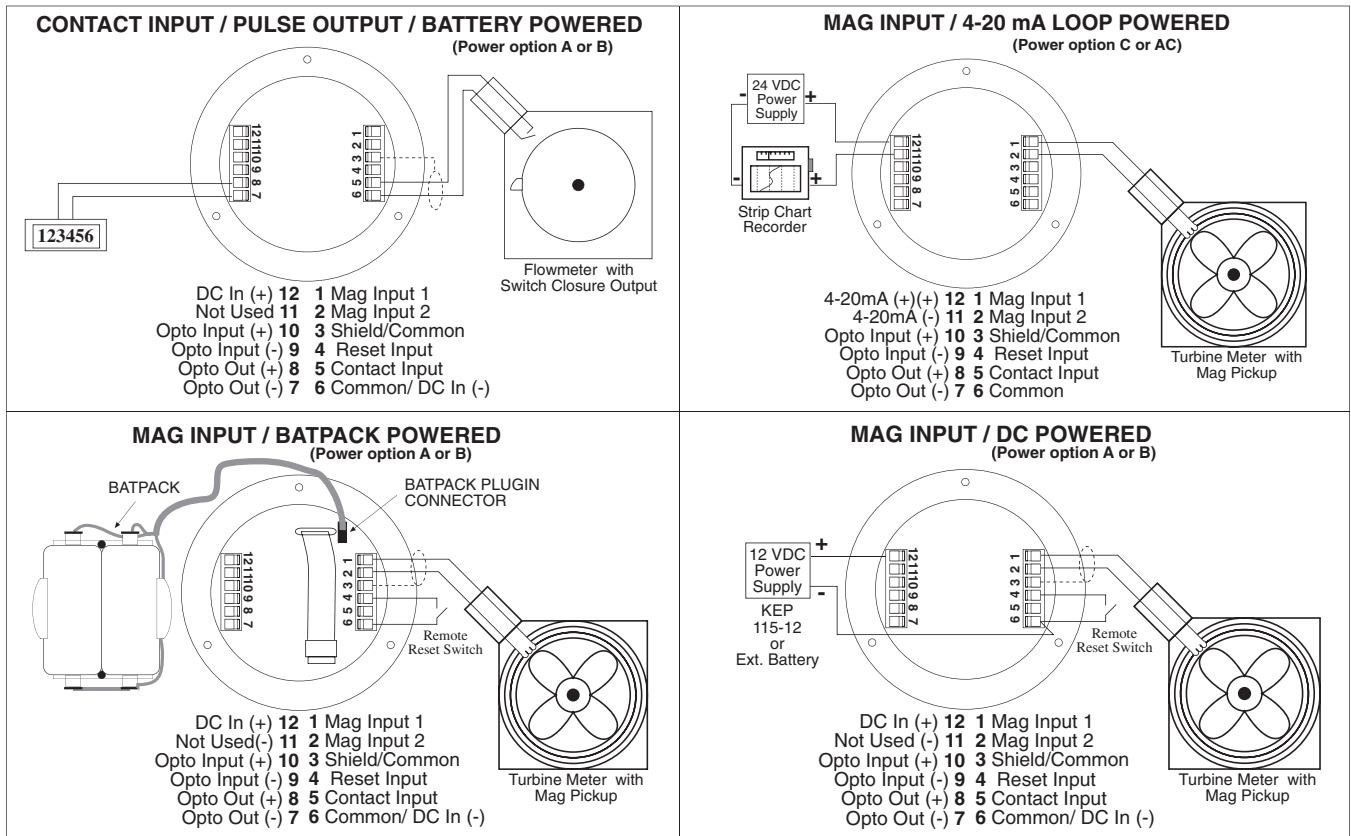
Several typical applications of the BAT R/T-M are shown below. Please observe that the various pulse inputs and power options may be intermixed in many ways to solve common applications. The isolated pulse output may be freely used so long as proper polarity is observed.

**Caution:** When 4-20 mA loop option is provided, the power wiring to the loop power option should always be to terminals (+) 12 and (-) 11. Accidental wiring to (+) 12 and (-) 6 should be avoided since excessive current flow may result with power option "C".

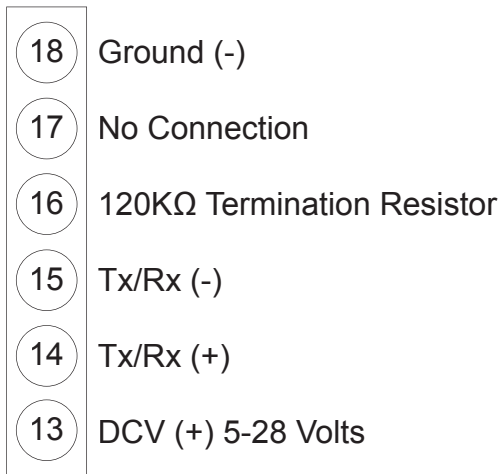
**Caution:** The magnetic pickup input and contact closure input require isolated sensors for proper operation. Accidental connections to earth may result in erroneous operation of the analog output and/or excessive current flow with power option "C".

**Caution:** Accidental connections from circuit common (3 or 6) to earth or terminal (11) may result in erroneous operation of the analog output and/or excessive current flow with power option "C".

## TYPICAL APPLICATIONS

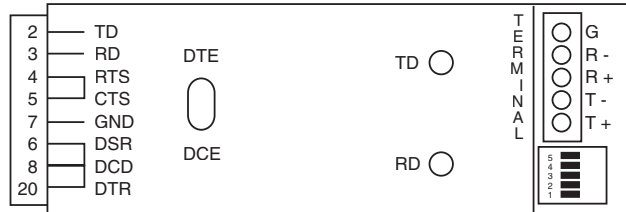


## RS-485 Terminals



RS-485 Terminal Block

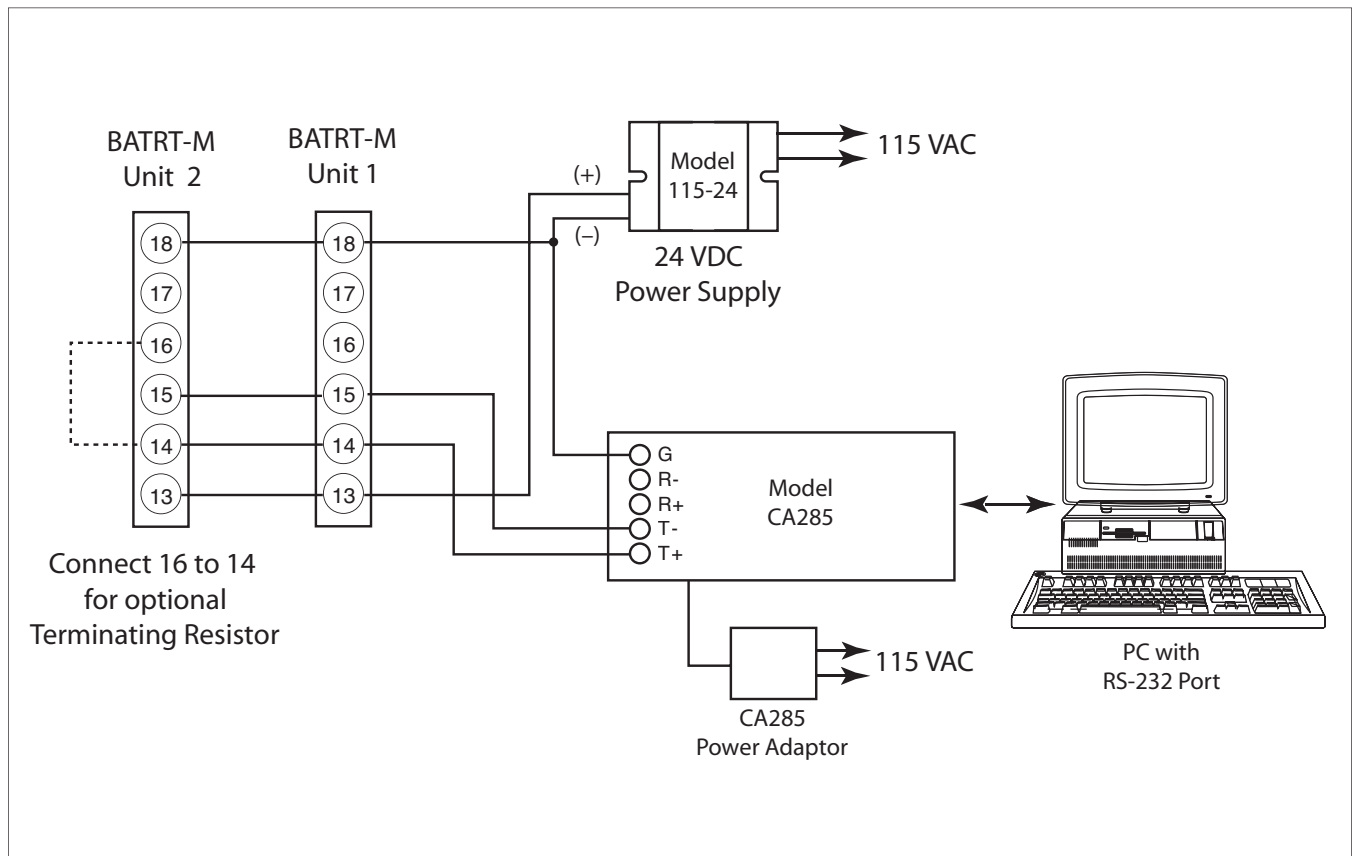
## CA-285 Terminals



### Switch Settings

Switch	Setting
1	ON
2	OFF
3	OFF
4	ON
5	OFF

## Typical Hookup



## DEFINITIONS

**SRUE tOtAL:** (Save Total) Press the **E** key while the unit is running to save the total value. The display will show "SRUE tOtAL" for a few seconds. This is a very useful "scratch pad" to save and restore total when replacing the battery(ies)

**Ent CodE:** (enter code) This prompt will only appear if the panel lock is ON. Press the **↑** key to increment each digit. Press the **←** key to step to the next digit to the left. Press the **E** key to enter the 5 digit code. If the entered code is correct, the display will advance to the next menu prompt (CLR tot). If incorrect, the display will return to the run mode.

**CLR tOt:** (clear total) Clears (resets) the totalizer. Press the **E** key to clear the total and return to the run mode. Press the **M** key to skip and advance to the next menu selection.

**FdEC:** (factor decimal) Sets the decimal location for the factor. This location is restricted to 3 places (99.999). The use of this decimal automatically limits the number of decimal locations allowable in the rate and total to acceptable ranges. Press the **←** key to move the decimal. Press the **E** key to select the displayed decimal location.

**NOTE:** For best performance and resolution choose as many decimal places as possible in the K-Factor.

Example: Enter a K-Factor of 1 as 1.000.

**FRC LINEAR/ 10POINT:** (factor type) This prompt will only appear if the unit is ordered with the 10 point linearization option. The **10POINT** linearization selection is recommended for flow meters whose K-factors change with different flow rates. This selection allows users to enter up to 10 different frequencies with 10 corresponding K-factors for different flow rates. The **LINEAR** setting is used for flow meters whose output is linear over its' entire operating flow range. Press the **↑** key to step to the desired choice. Press the **E** key to enter the displayed factor type.

**NO / YES SET POINTS:** (set 10 point?) This prompt allows the user to skip the 10 point setup routine. Select **YES** for initial setup or to change the present 10 point values. Select **NO** to skip and keep the existing values.

**FRC:** (factor) This prompt appears on all units with linear inputs. The Factor is the number of pulses per unit volume for the flow sensor. The pulses/unit volume is implied by the totalizer descriptor when a descriptor is used. The implied units for the Factor are then as follows:

Standard"D" Option

GAL	pulses/gallon	GAL	pulses/gallon
LIT	pulses/liter	BBL	pulses/BBL
FT3	pulses/ft3	MCF	pulses/MCF
M3	pulses/M3	M3	pulses/M3

Factors from 0.0001 to 99999999 may be used. A "0" value for the factor is not allowed and the unit will default to "1" in LSD if a "0" entry is attempted. The factor is displayed on the subsidiary (lower) display. Press the **↑** key to increment each digit. Press the **←** key to step to the next digit to the left. Press the **E** key to enter the displayed factor.

**Fr#:** (frequency for point #) This prompt will only appear when 10 point selected. It sets the frequency for each of the 10 points (#). Press the **↑** key to increment each digit. Press the **←** key to step to the next digit to the left. Press the **E** key to enter the desired frequency for point #.

**FRC#:** (factor for point #) This prompt will only appear when 10 point selected. It sets the factor for each of the 10 points (#). Press the **↑** key to increment each digit. Press the **←** key to step to the next digit to the left. Press the **E** key to enter the desired factor for point #.

**NOTE:** The display will advance to the next point (Fr#) after each entry of the Fr & Fac until all 10 points are complete. entering a 0 in the Fr or fac setting will advance the display to the next menu prompt (tdec).

## DEFINITIONS (continued)

**tdec:** (totalizer decimal) Sets the decimal location for the totalizer. The totalizer decimal is not a dummy decimal and will scale the totalizer display accordingly. (i.e. if the tdec is set in the tenths position (1234567.8), 100 will be displayed as 100.0). The location of the decimal point allows for greater resolution of both the totalizer display and the pulse output. The pulse output advances at a rate dependent on the least significant digit of the totalizer. The totalizer decimal location is restricted to a maximum of 4 places (1234.5678). However, the number of totalizer decimal locations allowable is reduced with each decimal place added to the factor decimal. Press the ← key to move the decimal. Press the **E** key to enter the displayed decimal location.

**Note:** The selection of the factor decimal point limits the available selections for the number of decimal points available for the totalizer. This is automatic. Enter your selection of the Factor's decimal point before entering the totalizer decimal point to assure the proper selection of the totalizer decimal point has been made.

**tdESC:** (totalizer descriptor) This allows you to illuminate one of the available descriptors on the display (STD: GAL, LIT, FT3, M3 or "blank"; "D" option: GAL, BBL, MCF, M3, "blank"). Press the ↑ key to select the descriptor. Press the **E** key to enter the selected descriptor.

**rSCALE:** (ratemeter scaling) Sets the timebase for the rate readout. Choose rate per hour (Hr5), minutes (MIN) or seconds (SEC). (Days will appear on units ordered with the "D" (rate per day) option.) The scale setting is shown on the main (upper) display. Press the ↑ key to step to the desired choice. Press the **E** key to enter the displayed scale setting.

**Note:** A rate descriptor corresponding to the above choice will be illuminated on the display.

**rDECLOC:** (ratemeter decimal location) Sets the decimal location for the ratemeter information. The ratemeter decimal is not a dummy decimal and will scale the rate display accordingly. (i.e. if the r decloc is set in the tenths position (123.4), 100 will be displayed as 100.0). The ratemeter decimal location is restricted to a maximum of 4 places (.1234). However, the number of ratemeter decimal locations allowable is reduced with each decimal place added to the factor decimal. Press the ← key to move the decimal. Press the **E** key to enter the displayed decimal location.

**Note:** The flow rate indicator will flash "99999" if the computed flow rate exceeds the 99999 display capability of the indicator. Choose a new decimal point location to avoid this.

**NOR #** NORMALIZING FACTOR - Normalizes (averages or dampens) the flow rate data being received. Enter a value from 0 to 9. Higher settings provide more normalizing (averaging) for a more stable display. Derived from the equation:

$$\frac{(\text{Old Data} \times \text{"NOR"} + \text{New Data})}{(\text{"NOR"} + 1)}$$

**DELAY:** (delay) Sets the amount of time (0.1 to 99.9 seconds) that the unit will "look" for valid input data. If pulses are not detected within this "window", the rate will display 0. The display will update once every second as long as the unit receives valid data within a second. Some internal mathematics may delay this update. Press the ↑ key to increment each digit. Press the ← key to step to the next digit to the left. Press the **E** key to enter the displayed delay value.

**out Lo:** (out low) Sets the low setting for the 4-20 mA analog output. Key in the low rate value at which the unit will output 4mA. Press the ↑ key to increment each digit. Press the ← key to step to the next digit to the left. Press the **E** key to enter the displayed out lo value.

**out Hi:** (out high) Sets the high setting for the 4-20 mA analog output. Key in the high rate value at which the unit will output 20 mA. Press the ↑ key to increment each digit. Press the ← key to step to the next digit to the left. Press the **E** key to enter the displayed out hi value.

## DEFINITIONS (continued)

**PULSCLRE:** (pulse out scaling) This allows the unit to output a pulse for each least significant total count divided by the selected divider. The pulse out can be divided by 1 (0 1), 10 (0 10), 100 (0 100), or turned off (0FF). With the divider set at 1, the unit will give a pulse out for every increment of the LSD displayed.

**Note:** For maximum battery life, turn the pulse output off when pulse output is not used.

Selecting the proper pulse output divider may be needed so that the pulse output does not exceed the maximum rate of the pulse output. If the pulse output pulses too quickly a flashing display will result. Pressing the "M" key will result in a display of an error message "E PULSE". Press the "E" key to return to the run mode.

**PULSDTH:** (pulse width) Sets the pulse width of the pulse output. Selections are: 0.5 (1Hz), 0.25 (2Hz), 0.125 (4Hz) or 0.0625 (8Hz). This menu item is skipped if PULSCLRE is turned off.

**ADDR-ESS:** (address) Sets the address of the device from 1 to 247 for Modbus network.

**BRUD-RATE:** (baud rate) Sets the baud rate for the serial communication.

**PAR-ITY:** (parity) Sets the parity for the serial communication.

**STOPBITS:** (stop bits) Sets the number of stop bits for the serial communication. This menu item is skipped if Parity is nonE.

**TR-ANSDLY:** (transmission delay) A delay can be added between the time the BatRT receives a request and when it responds to it (Note: RS485 option)

**DATE:** (date) Sets the date for the real time clock. The format is MMDDYYYY.

**TIME:** (time) Sets the time for the real time clock. The format is HHMM .

**LOG TIME:** (log time) Sets the time of day that the data logger will record the total.

**VIEW LOG:** (view log) Prompts user to view data logger. Select YES to view or NO to skip. When YES is selected for VIEW LOG. The display will show the date of the last log in month and day format MMDD. Use the "E" or "M" keys to view previous logs.

**LOG CLR:** (log clear) Prompts user to clear the data logger. Select YES if you want to clear else select no.

**LOCK CODE:** (lock code) Sets the 5 digit lock code to be entered when the unit prompts ENTER CODE. This allows the user to gain access to the menu when the unit is locked. Press the ↑ key to increment each digit. Press the ← key to step to the next digit to the left. Press the E key to enter the displayed code.

**Record this number for later use!**

**LOCK CODE:** \_\_\_\_\_

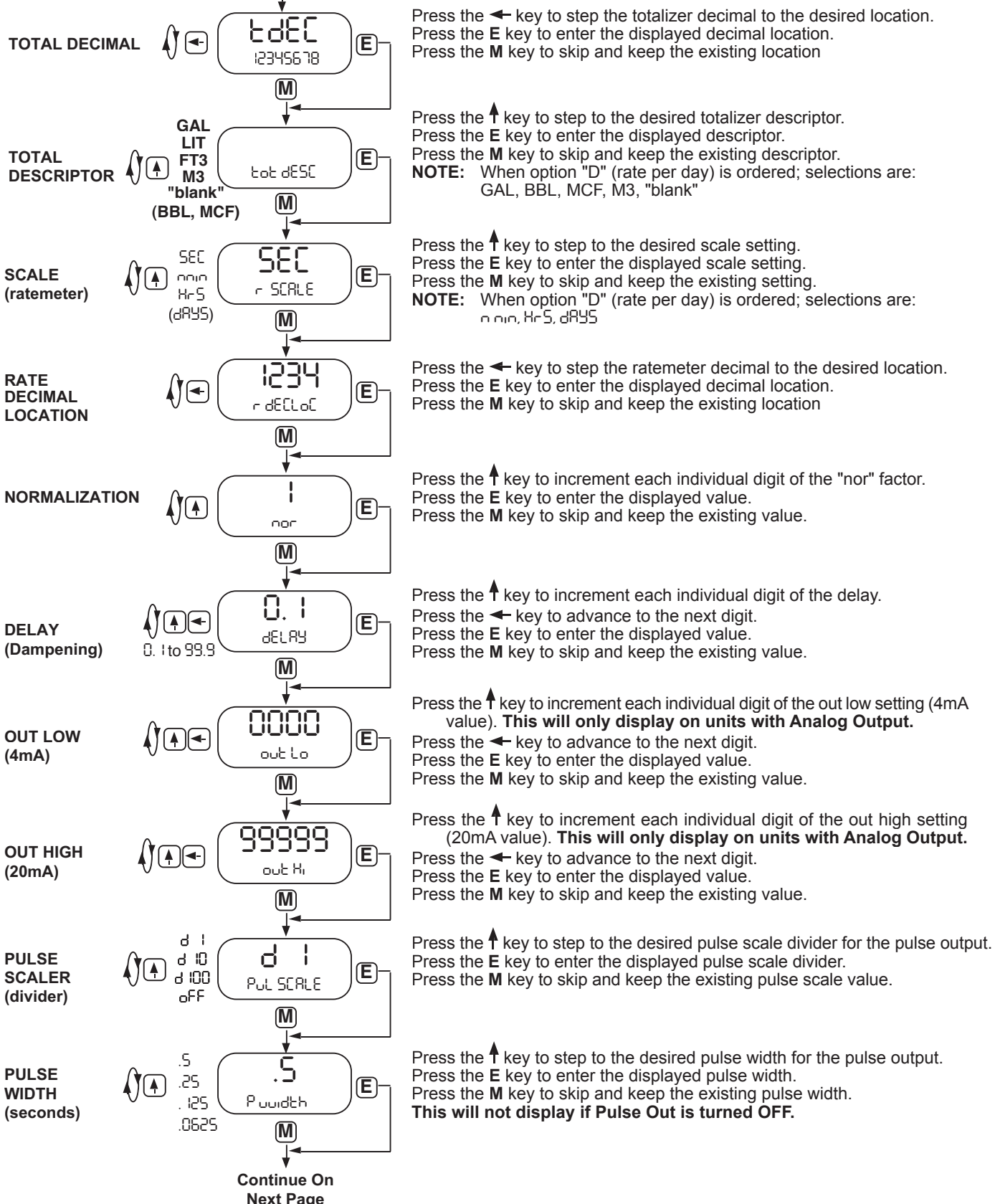
**LOCK UNIT:** (lock unit) Sets the panel lock ON or OFF. Press the ↑ key to select On or OFF. Press the E key to enter the displayed selection.



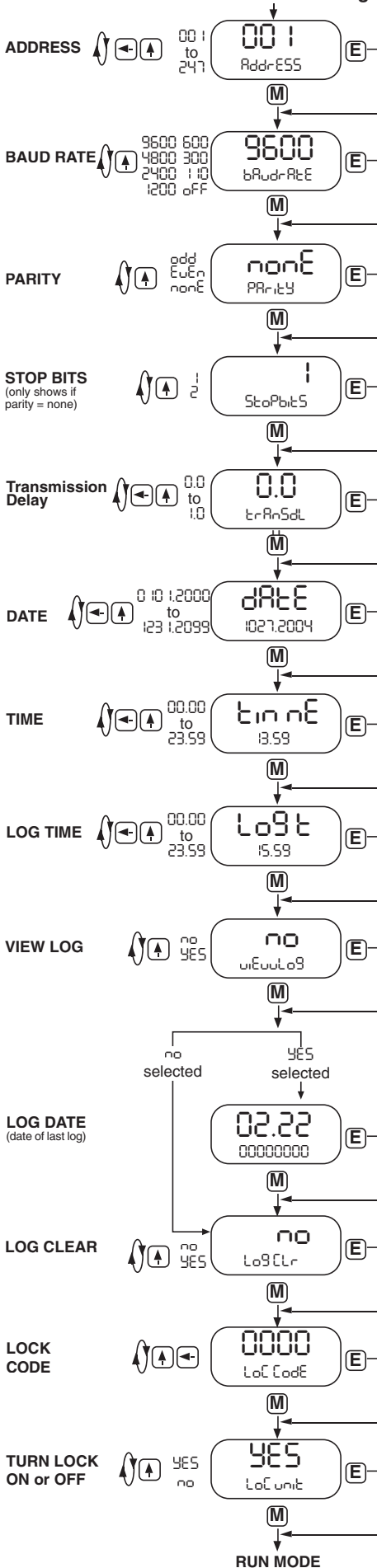
# PROGRAMMING FLOWCHART

(continued)

Continued From Previous Page



Continued From Previous Page



Press the **↑** key to increment each individual digit of the address.  
 Press the **←** key to advance to the next digit.  
 Press the **E** key to enter the displayed value.  
 Press the **M** key to skip and keep the existing value.

Press the **↑** key to select the desired baud rate.  
 Press the **E** key to enter the displayed choice.  
 Press the **M** key to skip and keep the existing choice.

Press the **↑** key to select the desired parity.  
 Press the **E** key to enter the displayed choice.  
 Press the **M** key to skip and keep the existing choice.

Press the **↑** key to select the desired number of stop bits.  
 Press the **E** key to enter the displayed choice.  
 Press the **M** key to skip and keep the existing choice.  
**NOTE:** Only appears if parity = none

Press the **↑** key to increment each individual digit of the trans. delay.  
 Press the **←** key to advance to the next digit.  
 Press the **E** key to enter the displayed value.  
 Press the **M** key to skip and keep the existing value.

Press the **↑** key to increment each individual digit of the date.  
 Press the **←** key to advance to the next digit.  
 Press the **E** key to enter the displayed value.  
 Press the **M** key to skip and keep the existing value.

Press the **↑** key to increment each individual digit of the time.  
 Press the **←** key to advance to the next digit.  
 Press the **E** key to enter the displayed value.  
 Press the **M** key to skip and keep the existing value.

Press the **↑** key to increment each individual digit of the log time.  
 Press the **←** key to advance to the next digit.  
 Press the **E** key to enter the displayed value.  
 Press the **M** key to skip and keep the existing value.

Press the **↑** key and select "yes" to view log. Select "no" to skip.  
 Press the **E** key to enter the displayed choice.  
 Press the **M** key to skip.

The date of last log will be shown in the format (MM.DD) if "yes" was selected above.  
 Press **M** or **E** to view previous logs and exit when the end of datalog is reached.

Press the **↑** key and select "yes" to clear log. Select "no" to skip.  
 Press the **E** key to enter the displayed choice.  
 Press the **M** key to skip.

Press the **↑** key to increment each individual digit of the lock code.  
 Press the **←** key to advance to the next digit.  
 Press the **E** key to enter the displayed value.  
 Press the **M** key to skip and keep the existing value.

Press the **↑** key to step to the desired lock setting.  
 Press the **E** key to enter the displayed lock setting.  
 Press the **M** key to skip and keep the existing setting.

RUN MODE



## OPERATION

A suitable pulse producing device or flow meter is wired to one of the three pulse inputs provided on the BAT R/T-M. Only one of these inputs is used in a given application. There are no connections to the two unused pulse inputs.

Isolated magnetic pickups may be connected to terminals 1 and 2. Isolated contact closures may be connected to terminals 5 and 6. Any high level, DC pulse type may be connected to terminals 9(-) and 10(+).

Power to the unit may be provided by internal batteries, external DC, or the current loop. In all cases, the internal battery will provide for continued operation in the event primary power is lost.

Once properly wired, the operation of the BAT R/T-M is automatic.

The flow totalizer is updated once per second\* with battery power, 8 times per second with DC or loop power. If no input counts are received the unit remains in a low power state to conserve power.

The flow total may be cleared by the front panel switch sequence or by a contact closure on the remote reset terminal to circuit common.

To reset the unit from the front panel, the following key sequence is required:

- Press **M** "CLr tot" will be displayed (if the panel lock is on, the display will prompt "Ent Code". Enter the proper code to advance to the CLr tot prompt)
- Press **E** To clear the total. Unit will return to operation

The flow rate indicator will measure the flow rate once every second\* with battery power, 8 times per second with DC or loop power and display the flow rate.

If the input pulses are not detected within the delay setting (0.1 to 99.9 seconds), a flow rate of 0 will be indicated.

The analog output will be scaled based on the user selected zero and full scale and the measured flow rate. The analog output is updated at the same time as the rate display.

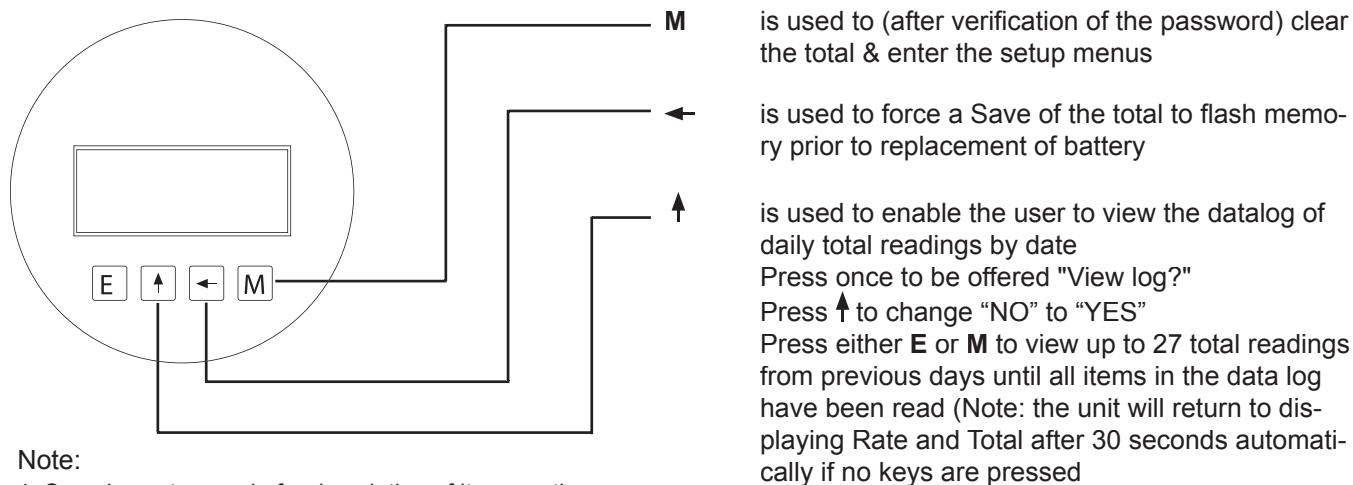
The pulse output updates at the same rate as the total display in accordance with the instrument setup of pulse scaling.

\* Slow input pulse rates, large delay setting and internal math operations may delay the update rate of information.. A faster update rate occurs when the unit is loop powered or externally powered.

### MAINTENANCE:

The only scheduled maintenance for the BATRT-M is periodic replacement of the battery. See Battery Installation and Replacement for details.

### KEYPAD OPERATION:



Note:

1. See also setup mode for description of its operation
2. See also Calibration Section for description of its Operation

## ERROR MESSAGES

The BATRT-M is provided with extensive self checking which assists the user in the location of setup entry errors and in reporting malfunctions or unusual operating conditions. When an error occurs, the display will flash. Press any key to see the error message corresponding to the error that has occurred. Press any key again to acknowledge the error. (If the error can be eliminated by a change of setup values, the unit will automatically advance to the MENU so that the appropriate setup changes can be made).

Table - 2 illustrates the warning message, problem, and recommended corrective actions.

Diagnostic Error Messages Table-2

WARNING MESSAGE	CAUSE	CORRECTIVE ACTION
rRtE Er	Rate Low set higher than Rate Hi	Set Rate Hi greater than Rate Lo
FAC Err	Factor = 0	Set in correct Factor
"BAT" Descriptor	Low Battery	Replace battery(ies)
E tOtAL	Total rollover	None required
E rAtE	Rate exceeds 99999	Use lower rate dec point
E PULSE	Pulse out Overflow	Use different pulse scaler or totalizer decimal point
E FLASH	Save to flash memory failed	Write down displayed total and setup values if you are changing the battery. If total wasn't saved, it will display an arbitrary total when new battery is installed. In this case, reset the total to 0 and check the setup information.

## ANALOG OUTPUT CALIBRATION

**CAUTION:** Performing the analog output calibration will erase all programming values. Please record all programmed values before beginning the analog output calibration

If the unit is equipped with the analog output option, the 4-20 mA has been accurately set to 4.000 and 20.000 mA by the factory. No calibrations should be required.

The 4-20 mA output may be verified periodically by installing a digital milliamp meter(DMM) in series with the analog output and simulating a full scale or over range flow rate.

If the output is out of calibration, perform the following:

Remove power and/or disconnect battery(ies). Hold down the ↑ (scroll) key and replace the battery. This will initialize the unit and advance to the analog output calibration mode. Connect a DMM set to read current in series with a power supply (8.5 to 30 volts DC) to TB12 (+) and TB11 (-). The output should read 4.000 ma (± 0.005). If it does not, Adjust the numbers on the display up or down until the output reads 4.000 ma (± 0.005). Press the "E" key. The DMM should now read 20.000 ma (± 0.005). If it does not, Adjust the numbers on the display up or down until the output reads 20.000 ma (± 0.005). Press "E" and the unit will return to the "RUN" mode.

## Ordering Information

**EXAMPLE:   BATRTM 3       A       4 ET**

**Series:** \_\_\_\_\_

**Mounting:** \_\_\_\_\_

- \* 0 = OEM
- \* 1 = Panel Mount
- 2 = NEMA 4X Box (Bat R/T-M behind clear cover)
- 3 = Explosion Proof Housing
- 5 = NEMA 4X Box (Bat R/T-M outside opaque cover)
- 6 = Double Ended Explosion Proof Housing (consult factory)

**Power Supply:** \_\_\_\_\_

- \* A = Battery (2 supplied)
- B = External Power Supply (8.5 to 30 VDC)
- C = Loop Powered with 4-20 mA Output
- AC = Loop Powered with 4-20 mA Output and 2 Batteries

**Options** (Multiple Options Available) \_\_\_\_\_

- S1 = Serial Setup Software for use with BSAC1
- S2 = RS485/Modbus/Data Logger - Isolated (power options B, C only)
- S2ua = RS485/Modbus/Data Logger Version without RS485 Card Installed
- 4 = 20 Point Linearization (10 point with S2 option)
- D = Rate per Day, Hour or Minute
- ET = Extended Temp.: -22°F to 158°F (-30°C to 70°C)
- CE = CE Approved Version
- CSA = CSA Approved Version (explosion proof)
- IS\*\* = UL Listed IS (consult factory)
- ATEX\*\* = European Flame Proof ATEX (consult factory)
- TRX = NEMA7 Explosion Proof Reset Switch on Third Conduit Entry (mounting style 3 only)
- RN = External Magnetic Reset
- T = Third Conduit Entry in Ex-Proof Housing (mounting style 3 only)
- H2 = 0.875" Hole for mounting styles 2 and 5
- HF2 = 0.5" Female NPT Hub fitting (mount styles 2 & 5)
- H3 = 1.125" Hole for mounting styles 2 and 5
- HF3 = 0.75" Female NPT Hub fitting (mount styles 2 & 5)

**Special Battery Options**

- NB = No Battery
- AB = Supplied with A size batteries

**Accessories:**

- BATPACK= External Batt. Pack with 2 C Size Batteries & 12" leads
- BATC = Single Battery: Tadiran P/N TL2200/S 3.6V 7200mAh or equal
- 115-24 = 115 VAC to 24 VDC power supply
- BSAC1 = RS232 Serial Adapter Cable with setup software
- TFMMK-1 = Turbine Flowmeter Mounting Kit for flow meters with a 1" Male NPT riser
- TFMMK-3/4 = Turbine Flowmeter Mounting Kit for flow meters with a 3/4" Male NPT riser
- CATM 2-18FL = 18" Long Turbine Flowmeter Cable Assembly

\* External battery pack supplied with models BATDTM0A & BATDTM1A  
 \*\* Contact factory for latest information

## WARRANTY

This product (excluding batteries) is warranted against defects in materials and workmanship for a period of two (2) years from the date of shipment to Buyer.

The Warranty is limited to repair or replacement of the defective unit at the option of the manufacturer. This warranty is void if the product has been altered, misused, dismantled, or otherwise abused.

ALL OTHER WARRANTIES, EXPRESSED OR IMPLIED, ARE EXCLUDED, INCLUDING BUT NOT LIMITED TO THE IMPLIED WARRANTIES OF MERCHANTABILITY AND FITNESS FOR A PARTICULAR PURPOSE.

## Appendix A: Modbus RTU Protocol

When the BATRT-Millennium is equipped with the Modbus option, the protocol it uses is the Modbus RTU protocol. This protocol defines a message structure that hosts and clients will recognize and use on the Modbus network over which they communicate. It describes the process a master device (PC compatible) uses to request access to another device (BATRT-Millennium), how it will respond to requests from the other devices, and how errors will be detected and reported. It establishes a common format for the layout and contents of message fields. During communications on a Modbus RTU network, the protocol determines how each BATRT-Millennium will know its device address, recognize a message addressed to it, determine the kind of action to be taken, and extract any data or other information contained in the message. If a reply is required, the BATRT-Millennium will construct the reply message and send it using Modbus RTU protocol.

### RTU Mode

The BATRT-Millennium with Modbus communications option supports the Modbus RTU (Remote Terminal Unit) mode only. The Modbus ASCII mode is not supported. The main advantage of the RTU mode is that its greater character density allows better data throughput than ASCII for the same baud rate. The Modbus RTU uses a Master-Slave Query-Response Cycle in which the BATRT-Millennium is the slave device.

### Control Functions

The BATRT-Millennium with Modbus communications option supports the following function codes:

<u>CODE</u>	<u>NAME</u>	<u>DESCRIPTION</u>
01	Read Coil Status	Reads the status of a coil (ON or OFF)
03	Read Holding Registers	Reads the value in a holding register
05	Force Single Coil	Forces a single coil (0x reference) to either ON or OFF
06	Preset Single Register	Presets a value into a single holding register (4x reference)
15	Force Multiple Coil	Forces each coil (0x reference) in a sequence of coils to either ON or OFF
16	Preset Multiple Registers	Presets values into a sequence of holding registers (4x reference)

### BATRT-Millennium Communication Setup Menu

The setup menu allows Modbus RTU Protocol communications parameters of: Device ID, Baud Rate, and Parity to be selected to match the parameters of your Modbus network. Each BATRT-Millennium must have its own Device ID and the same Baud Rate and Parity setting.

## Register & Coil Usage

**Register Usage** (each register is 2 bytes)

<u>Data</u>	<u>Register</u>	<u>Data Type</u>	<u>Access</u>
Volume Flow	Reg 40001 & 40002	Float	Read
Total	Reg 40003 & 40004	Float	Read
Linear K-Factor	Reg 40005 & 40006	Float	Read/Write
Frequency#0	Reg 40007 & 40008	Float	Read/Write
Factor#0	Reg 40009 & 40010	Float	Read/Write
Frequency#1	Reg 40011 & 40012	Float	Read/Write
Factor#1	Reg 40013 & 40014	Float	Read/Write
Frequency#2	Reg 40015 & 40016	Float	Read/Write
Factor#2	Reg 40017 & 40018	Float	Read/Write
Frequency#3	Reg 40019 & 40020	Float	Read/Write
Factor#3	Reg 40021 & 40022	Float	Read/Write
Frequency#4	Reg 40023 & 40024	Float	Read/Write
Factor#4	Reg 40025 & 40026	Float	Read/Write
Frequency#5	Reg 40027 & 40028	Float	Read/Write
Factor#5	Reg 40029 & 40030	Float	Read/Write
Frequency#6	Reg 40031 & 40032	Float	Read/Write
Factor#6	Reg 40033 & 40034	Float	Read/Write
Frequency#7	Reg 40035 & 40036	Float	Read/Write
Factor#7	Reg 40037 & 40038	Float	Read/Write
Frequency#8	Reg 40039 & 40040	Float	Read/Write
Factor#8	Reg 40041 & 40042	Float	Read/Write
Frequency#9	Reg 40043 & 40044	Float	Read/Write
Factor#9	Reg 40045 & 40046	Float	Read/Write
Rate Delay	Reg 40047 & 40048	Float	Read/Write
Analog Out Low	Reg 40049 & 40050	Float	Read/Write
Analog Out High	Reg 40051 & 40052	Float	Read/Write
Flow Total Log #0	Reg 40053 & 40054	Float	Read/Write
Flow Total Log #1	Reg 40055 & 40056	Float	Read/Write
Flow Total Log #2	Reg 40057 & 40058	Float	Read/Write
Flow Total Log #3	Reg 40059 & 40060	Float	Read/Write
Flow Total Log #4	Reg 40061 & 40062	Float	Read/Write
Flow Total Log #5	Reg 40063 & 40064	Float	Read/Write
Flow Total Log #6	Reg 40065 & 40066	Float	Read/Write
Flow Total Log #7	Reg 40067 & 40068	Float	Read/Write
Flow Total Log #8	Reg 40069 & 40070	Float	Read/Write
Flow Total Log #9	Reg 40071 & 40072	Float	Read/Write
Flow Total Log #10	Reg 40073 & 40074	Float	Read/Write
Flow Total Log #11	Reg 40075 & 40076	Float	Read/Write
Flow Total Log #12	Reg 40077 & 40078	Float	Read/Write
Flow Total Log #13	Reg 40079 & 40080	Float	Read/Write
Flow Total Log #14	Reg 40081 & 40082	Float	Read/Write
Flow Total Log #15	Reg 40083 & 40084	Float	Read/Write
Flow Total Log #16	Reg 40085 & 40086	Float	Read/Write
Flow Total Log #17	Reg 40087 & 40088	Float	Read/Write
Flow Total Log #18	Reg 40089 & 40090	Float	Read/Write
Flow Total Log #19	Reg 40091 & 40092	Float	Read/Write
Flow Total Log #20	Reg 40093 & 40094	Float	Read/Write
Flow Total Log #21	Reg 40095 & 40096	Float	Read/Write
Flow Total Log #22	Reg 40097 & 40098	Float	Read/Write
Flow Total Log #23	Reg 40099 & 40100	Float	Read/Write

## Register & Coil Usage (continued)

<u>Data</u>	<u>Register</u>	<u>Data Type</u>	<u>Access</u>
Flow Total Log #24	Reg 40101 & 40102	Float	Read/Write
Flow Total Log #25	Reg 40103 & 40104	Float	Read/Write
Flow Total Log #26	Reg 40105 & 40106	Float	Read/Write
K-Factor Decimal Point	Reg 40133	Integer	Read/Write
K-Factor Algorithm	Reg 40134	Integer	Read/Write
Total Decimal Point	Reg 40135	Integer	Read/Write
*Total Descriptors	Reg 40136	Integer	Read/Write
*Rate Time scale	Reg 40137	Integer	Read/Write
Rate Decimal Point	Reg 40138	Integer	Read/Write
Rate Normalization	Reg 40139	Integer	Read/Write
Pulse Scale	Reg 40140	Integer	Read/Write
Device Address	Reg 40141	Integer	Read/Write
Baud Rate	Reg 40142	Integer	Read/Write
Parity	Reg 40143	Integer	Read/Write
Lock Code	Reg 40144 & 40145	Integer	Read/Write
Lock Unit	Reg 40146	Integer	Read/Write
Current Year (YYYY)	Reg 40147	Integer	Read/Write
Current Month (1-12)	Reg 40148	Integer	Read/Write
Current Day (1-31)	Reg 40149	Integer	Read/Write
Current Time Hr (00-23 24 Hr format)	Reg 40150	Integer	Read/Write
Current Time Min (00-59)	Reg 40151	Integer	Read/Write
Reading Time HH Hour (00-23)	Reg 40152	Integer	Read/Write
Reading Time MM Minute (00-59)	Reg 40153	Integer	Read/Write

**NOTE:** The Float data type follows the IEEE format for a 32 bit float.

### \* Total Descriptor and Rate Time Scale Descriptor

<u>Total Descriptor</u>	<u>Reg 40136 Value</u>
GAL	0
LIT	1
FT3	2
M3	3

<u>Rate Time Base Descriptor</u>	<u>Reg 40137 Value</u>
/SEC	0
/MIN	1
/HR	2
/DAY	3

The above values can be used to set the descriptors through the Modbus protocol.

### COIL USAGE (each coil is 1 bit)

<u>Data</u>	<u>Coil</u>	<u>Data Type</u>	<u>Access</u>
Error-Rate Overflow	Coil 00001	bit	Read
Error-Pulse out Overflow	Coil 00002	bit	Read
Error-Total rollover	Coil 00003	bit	Read
Error-Flash problem	Coil 00004	bit	Read
Total Reset	Coil 00005	bit	Write
Clear Error	Coil 00006	bit	Write
Clear Data Log	Coil 00007	bit	Write