

# L5OX-S Precision Fluid Damped Inclinometer

## 0-5V DC Output

The L5OX Series Inclinometer is a rugged, high performance, single-axis tilt sensor designed for peak performance in extreme conditions. The fluid damped mechanism delivers superior noise rejection in high shock and vibration environments as well as excellent output stability. Units are available with a 6-pin connector, pin-terminals or flying leads. Available outputs include +/-5V, 0-5V and 4-20mA. Custom input ranges, filters and temperature compensation are also available on request.



### Features

- **Extremely Rugged**
- **High Accuracy**
- **Temperature Compensation Available**
- **+/-5V, 0-5V or 4-20mA Output**
- **15-30V or +/-15V DC Power Input**
- **RoHS Compliant**
- **CE Certification Available**

### Applications

- **High-precision Geotech**
- **Oil and Gas, Riser Tilt Monitoring**
- **Railroad MOW Equipment**
- **Pavement Profiling Rigs**
- **Vehicle Wheel Alignment**
- **Robotics**



#### Connector Version

PIN	FUNCTION
A	POWER IN
B	COMMON
C	N/C
D	SIGNAL OUT
E	N/C
F	N/C

#### Pin Terminal Version

PIN	FUNCTION
A	POWER IN
B	COMMON
C	N/C
D	SIGNAL OUT
E	N/C
F	N/C

#### Wired Version

COLOR	FUNCTION
RED	POWER IN
BLACK	COMMON
YELLOW	N/C
GREEN	SIGNAL OUT

# L5OX-S Precision Fluid Damped Inclinometer

## 0-5V DC Output

### STATIC/DYNAMIC

Input Range (deg.)	±1	±3	±14.5	±30	±60	±90
Full Range Output (VDC) <sup>1</sup>	0-5	0-5	0-5	0-5	0-5	0-5
Non-linearity (% FRO) <sup>2</sup>	0.05	0.02	0.02	0.02	0.02	0.05
Scale Factor (V/g nom.)	143.2	47.8	10.0	5.0	2.9	2.5
Scale Factor Sensitivity (PPM/°C max)	350	300	100	60	60	60
Bandwidth, Hz (-3 dB)	0.5	2	15	20	30	30
Transverse Axis Misalignment (° max)	±0.25	±0.25	±0.5	±0.5	±0.5	±0.5
0° Output nominal (mA)	±0.10	±0.04	±0.02	±0.02	±0.02	±0.02
0° Output Temp. Sensitivity (V/°C max)	0.015	0.005	0.001	0.0005	0.0004	0.0003
Resolution & Threshold (μradians) <sup>3</sup>	1	1	1	1	1	1

<sup>1</sup>Full Range is defined "from negative full input angle to positive full input angle." <sup>2</sup>Nonlinearity is specified as deviation of output referenced to theoretical sine function value, independent of misalignment. <sup>3</sup>Full Resolution is achieved with noise reduction techniques.

### ELECTRICAL

Number of Axes:	1
Input Voltage Range, (VDC):	+9 to +18
Input Current, mA, max:	40
Noise, μArms, maximum:	0.002
Output Impedance (ohms)	1

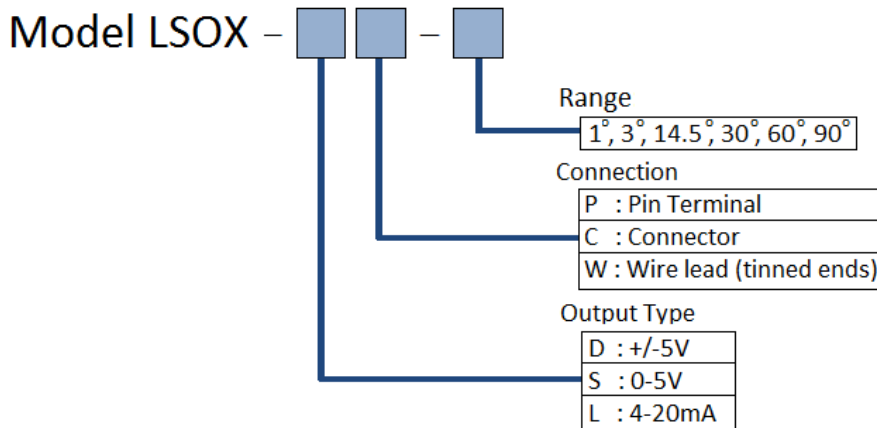
### ENVIRONMENTAL

Operating Temp Range:	-40°C to +80°C
Storage Temp Range:	-60°C to +90°C
Shock:	1500g, 0.5 msec, ½ sine

### ENCLOSURE

Seal:	IP66
-------	------

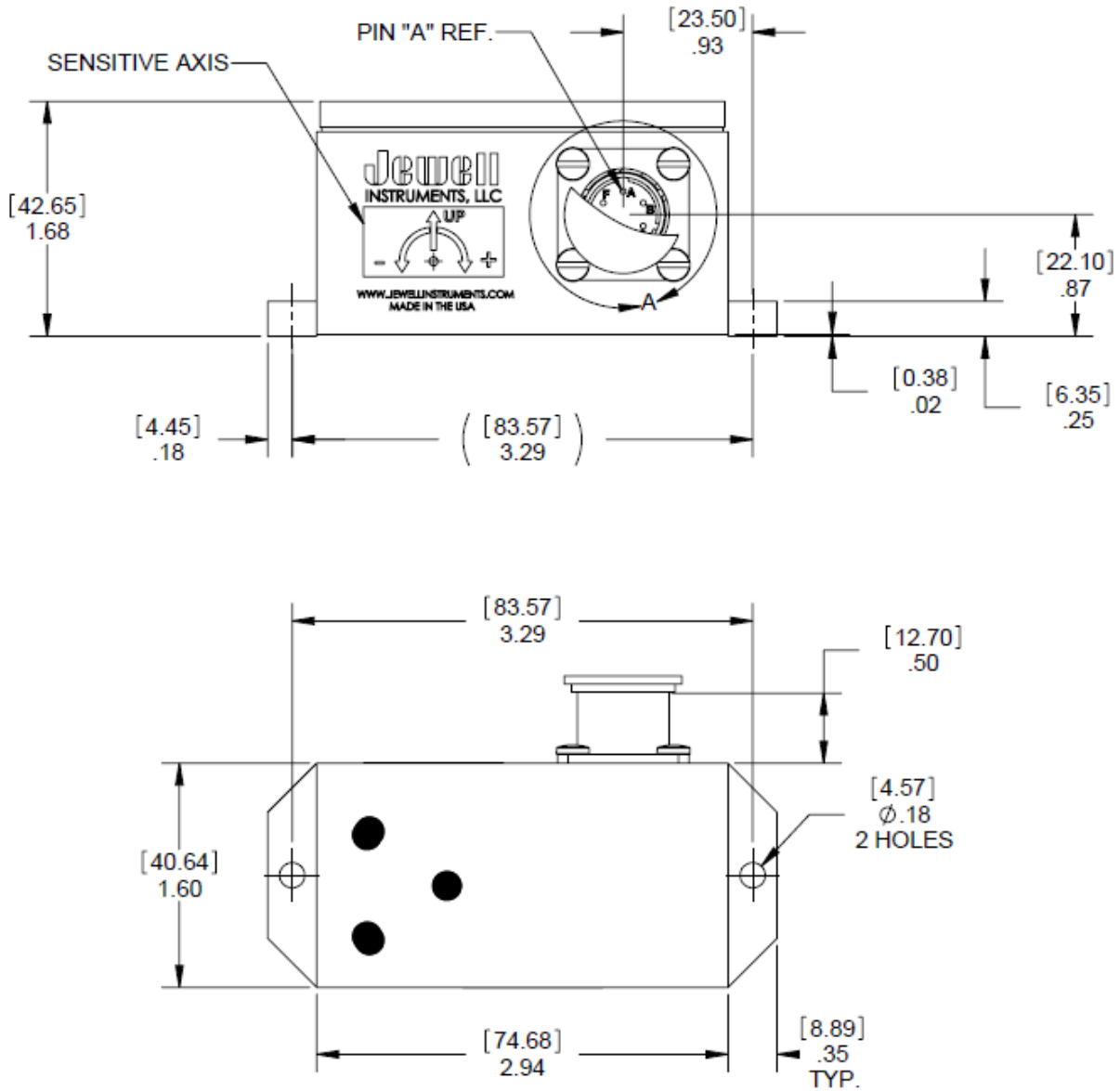
## Order Code



# LSOX-S Precision Fluid Damped Inclinometer

## 0-5V DC Output

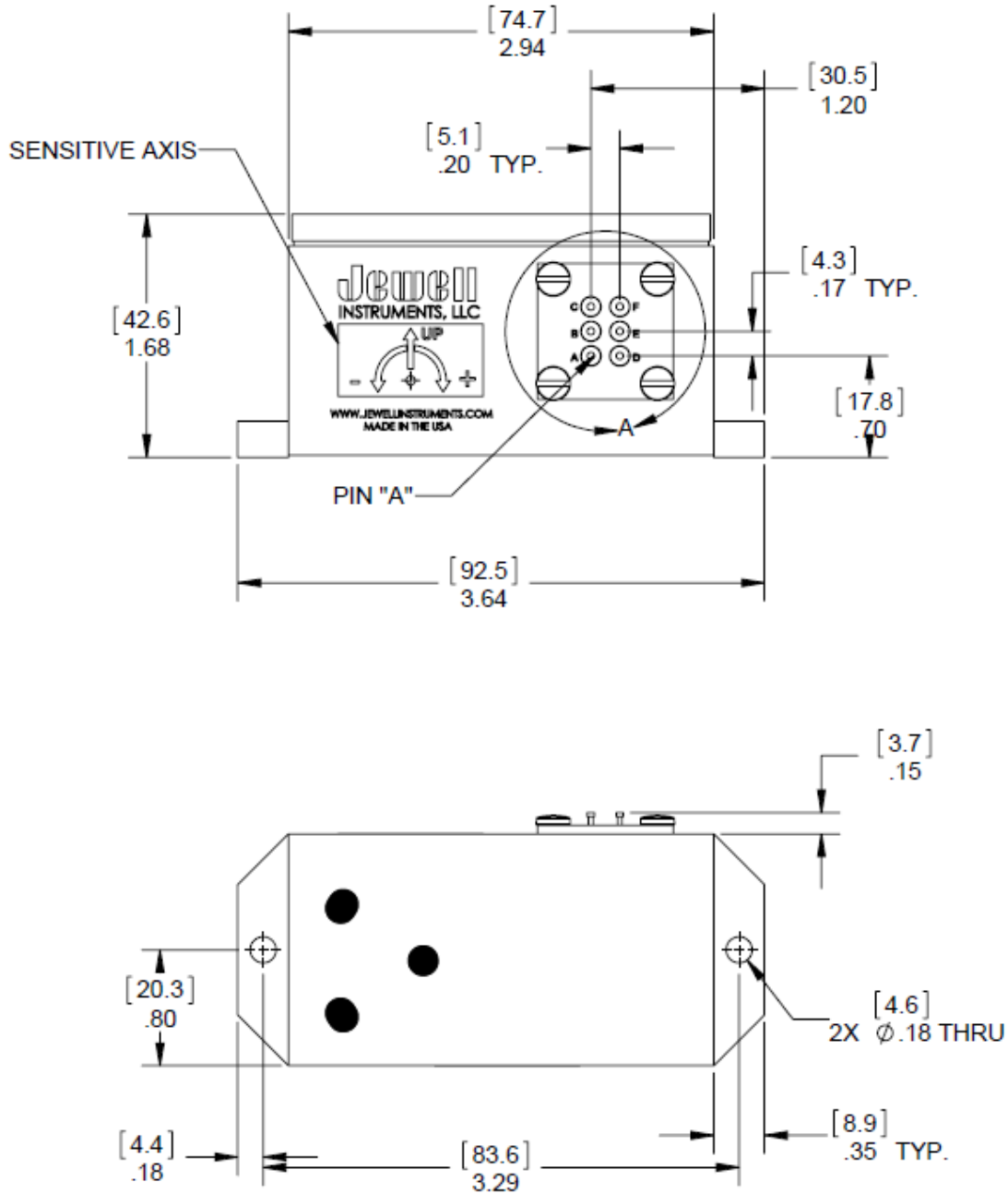
### Outline Drawing: Connector Version



# LSOX-S Precision Fluid Damped Inclinometer

## 0-5V DC Output

### Outline Drawing: Pin Terminal Version



# LSOX-S Precision Fluid Damped Inclinometer 0-5V DC Output

## Outline Drawing: Wired Version

