

882IS Digital Weight Indicator

IS6V2 Battery Charger Instructions

The IS6V2 battery charger instruction sheet contains important safety and operating instructions. Before using the battery charger, please read all instructions and cautionary information on the battery charger and the product using the battery.



Manuals and additional resources are available from the Rice Lake Weighing Systems website at www.ricelake.com

Warranty information can be found on the website at www.ricelake.com/warranties



Do not expose the charger to rain or moisture.

Do not remove the cover.

Disconnect the charger from AC power before maintenance or cleaning.



Only use Rice Lake Weighing Systems approved charger for IS indicator batteries.

Because hydrogen gas may be present, disconnect unit from AC power before connecting or disconnecting output connectors.



Connections to the battery pack must be made in the non-hazardous area before connecting the cable to the 882IS indicator.



Figure 1. IS6V2 Battery Charger

Introduction

The IS6V2 battery charger is a typical encased power adapter that provides battery charge power at 7.2V at 2 amps and back-off to 6.8V once the battery is fully charged. The dual mode (charge/float) provides rapid battery charging while preventing hazardous overcharging. In addition, the charger is ideal for optimizing battery life as it will maintain the float voltage of 6.8V to prevent battery discharge during normal AC operation.

Operation

Charging a dead battery takes 10 hours minimum. The recommended initial battery charging time is 14 hours.

1. Disconnect the 882IS battery pack cable from the 882IS indicator.
2. Remove the battery pack from the indicator tilt stand and take to a non-hazardous area.
3. Remove the lockout device and battery cable from the battery.
4. Connect the charger power cord to a properly grounded outlet supplying the correct input voltage.
5. Plug the connector from the battery charger into the connector on the battery pack.

A fully charged battery is one that has been charged until the charger LED has switched from amber color to off (signifying 70% charged) at which point the charger switches to a float charge mode and the LED turns off.



To keep the 882IS battery at full capacity, it is recommended to leave the battery connected to the charger, in float charge mode, until ready to use. The battery can remain on the charger in float charge mode indefinitely without damaging the battery.



IS6V2 Battery Charging

Charging a dead battery takes a minimum of 10 hours. The recommended initial battery charging time is 14 hours.

1. Disconnect battery cable from indicator.
2. Remove battery pack from indicator tilt stand and take to non-hazardous area.
3. Remove the lockout device and battery cable from the battery.

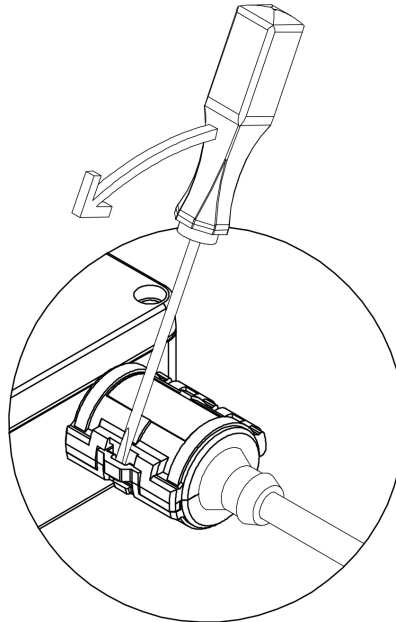


Figure 2. Remove Lockout Device

4. Charge the battery.



Re-charge batteries in a non-hazardous location.

Specifications

Power

Input Voltage Range: 90 VAC to 264 VAC
Voltage Output: 6 VDC Nominal, 7.2 VDC Charge, 6.8 VDC Float
Maximum Output Current: 2 A

Environmental

Battery
Operating Temp 14°F to 104°F (-10°C to 40°C)



© Rice Lake Weighing Systems Specifications subject to change without notice.
Rice Lake Weighing Systems is an ISO 9001 registered company.

230 W. Coleman St. • Rice Lake, WI 54868 • USA
U.S. 800-472-6703 • Canada/Mexico 800-321-6703 • International 715-234-9171 • Europe +31 (0)26 472 1319