

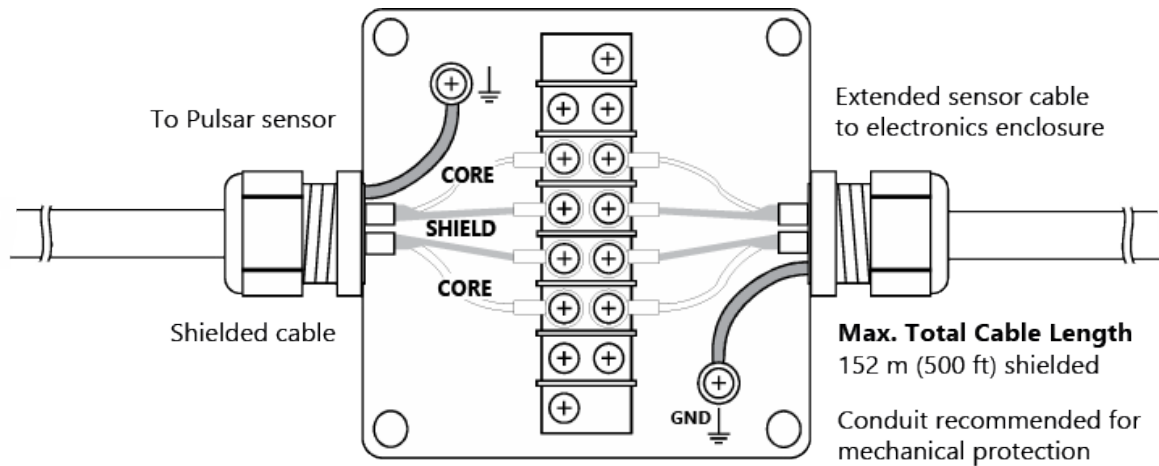
JB2X Sensor Cable Junction Box

Sensor Cable Junction Box (Option JB2X)

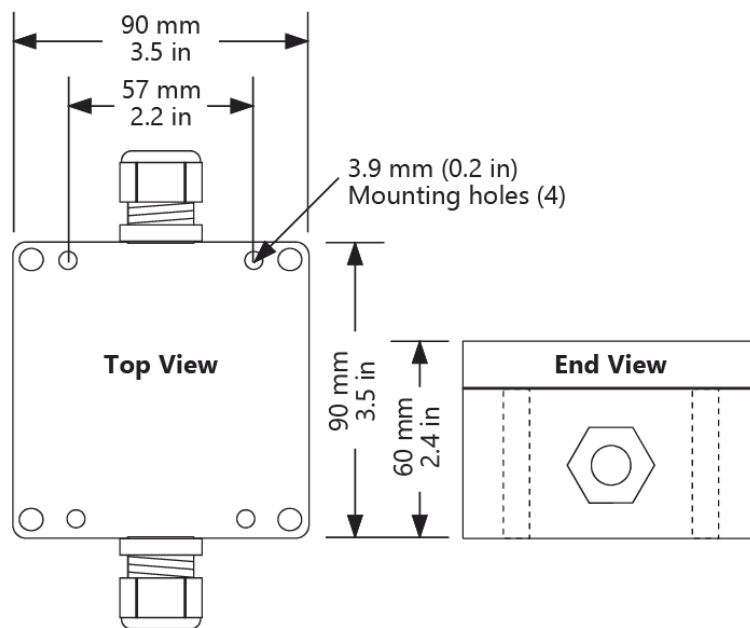
Optional watertight polycarbonate NEMA4X (IP66) Junction Boxes with terminal strips are available from Pulsar Measurement. Each of Pulsar’s legacy Greyline meters includes 7.6 m (25 ft) (optional: 15 m (50 ft) or 30 m (100 ft)). continuous shielded cable. Additional cable and Cable Junction Box (Option JB2X) may be ordered with the flow meter, or the cable may be spliced and extended up to 152 m (500 ft) as required during installation. No adjustment is required when the sensor cable is extended or shortened. Use only Pulsar shielded cable (See meter’s installation manual for specific type).

Extended cable should be installed in conduit for mechanical protection. Recommended installation with a Junction Box (Option JB2X) is illustrated below:

Option JB2X Sensor Cable Junction Box NEMA4X (IP66) Polycarbonate



Dimensions



Extended Sensor Cable Installation in Manholes or Pump Stations

Optional JB2X Sensor Cable Junction Box

Pulsar ultrasonic level sensors are available with continuous cable length of 7.6 m, 15 m, or 30 m (25 ft, 50 ft, or 100 ft).

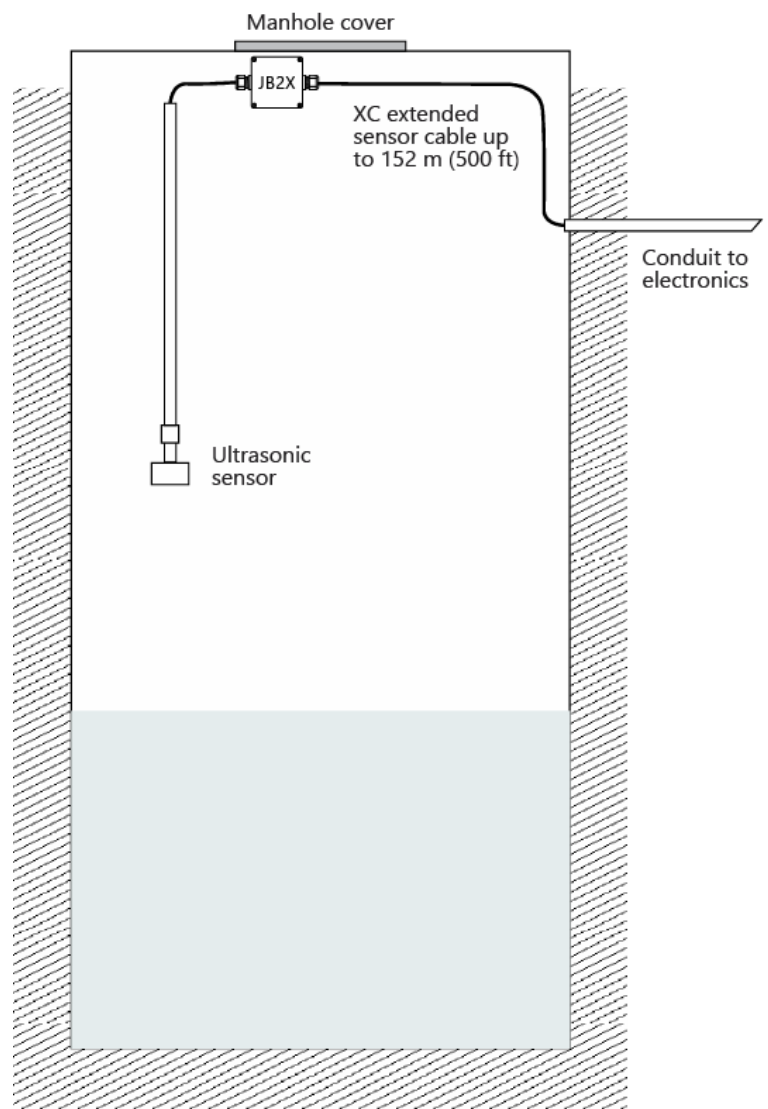
Install an optional polycarbonate JB2X Junction Box at the top of the wetwell.

Connect a Pulsar ultrasonic level sensor with standard cable length through the Junction Box to XC extended coaxial cable length up to 152 m (500 ft).

Benefits:

1. Allows sensor relocation or replacement without pulling cable from conduit.
2. Allows extended cable replacement without removing the sensor from the wetwell.
3. Avoids extended delivery time for sensors with custom cable length.

Wetwell, Sump, or Pump Station



INFO@PULSARMEASUREMENT.COM

Pulsar Measurement is a trading name of Pulsar Process Measurement, Ltd.

Copyright © 2021 Pulsar Measurement
Registered Address: 1 Chamberlain Square CS, Birmingham B3 3AX
Registered No.: 3345604 England & Wales

Delivering the Measure of Possibility

United States
+1 888-473-9546

Asia
+60 102 591 332

Canada
+1 855-300-9151

Oceania
+61 428 692 274

United Kingdom
+44 (0) 1684 891371

pulsarmeasurement.com