

Series 16 – Open Circuit Board Controls

- ▶ Solid State Reliability
- ▶ Spade Terminals
- ▶ Time Delays Available
- ▶ U.L. “Motor Control”
- ▶ Optional Dirty Electrode Detection*
- ▶ AC Current Minimizes Electrolysis
- ▶ Compact Size
- ▶ Low-Voltage Sensor
- ▶ LED Monitoring

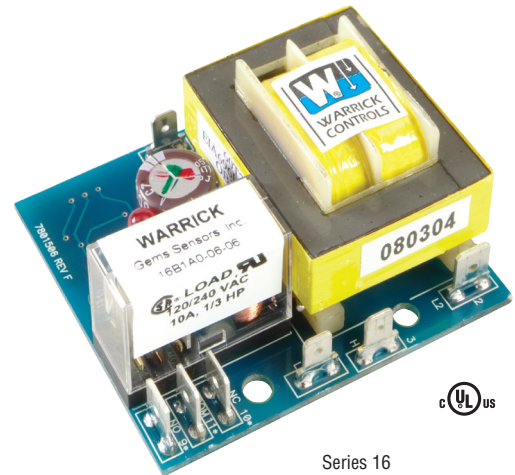
Series 16 – General Purpose Control

- New Microprocessor Design

Engineered for general purpose single-level or differential applications, these economy priced controls have spade terminals for easy wiring and provide sensitivities up to 1 million ohm/cm.

Series 16D – DPDT Load Contacts

Same features and specifications as Series 16, but these controls also have DPDT load contacts to eliminate the need for slave relays.



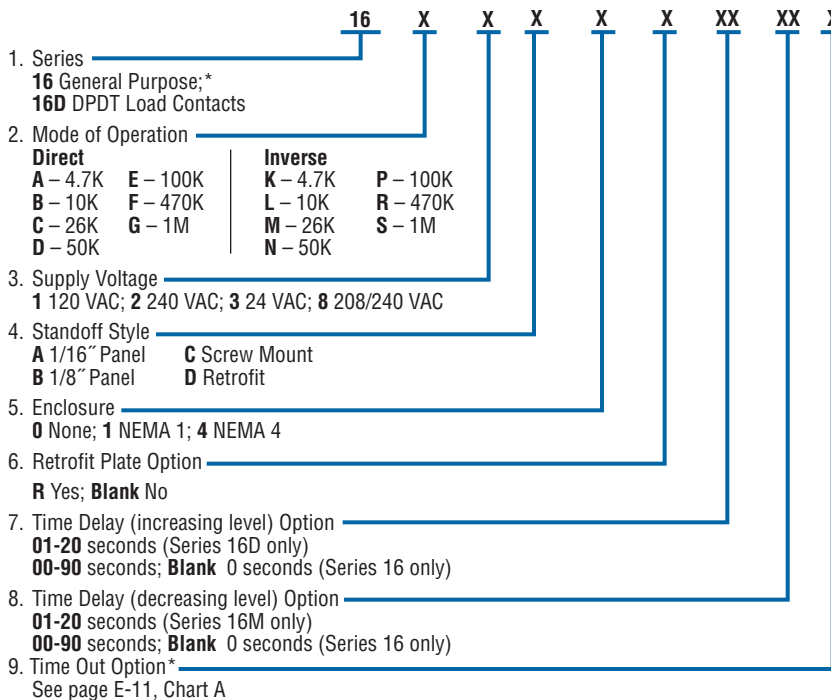
Series 16

Specifications

Contact Design	
Series 16	1 N.O. & 1 N.C. (1 form C)*
Series 16D	2 N.O. & 2 N.C. (2 form C)
Contact Rating (120, 240 VAC)	
Series 16	10 amp Resistive 1/3 hp*
Series 16D	5 amp Resistive 1/10 hp
Mode of Operation Direct/Inverse, factory set	
Sensitivity 0-1M ohm, factory set	
Primary Voltage 120 VAC, 240 VAC, 24 VAC, 208 VAC (+10%/-15%) 50/60 Hz 208/240: 187 V min. to 255 V max. VAC 50/60 Hz	
Secondary Voltage 12 VAC, 1.5 mA	
Temperature -40°F to +150°F (-40°C to +65°C)	
Approvals U.L. 508 File # E44426	
Terminal Style Spade connection	
Options Time Delays, Retrofit Plate, Time Out. See page E-11 for descriptions.	

How to Order

Use the **Bold** characters from the chart below to construct a product code.

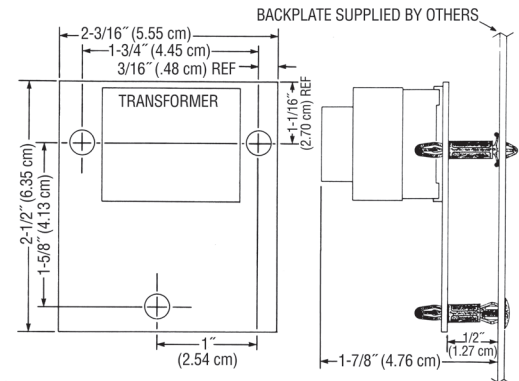


* New Series 16 Microprocessor Design only.

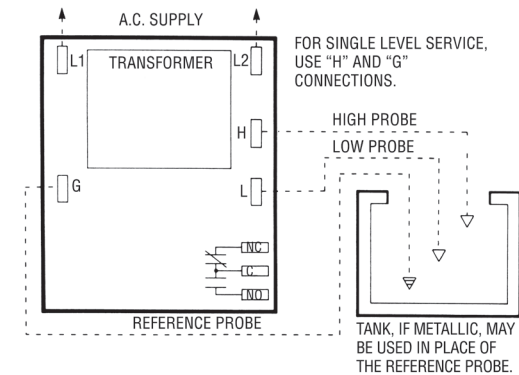
Applications

- Single-Level Service
- Point Level
- Valve Control
- Low-Water Cutoff
- Differential Service
- Alarms
- Pump Control

Dimensions



Wiring



Note: Series 16D similar to Series 16, but with DPDT load contacts.