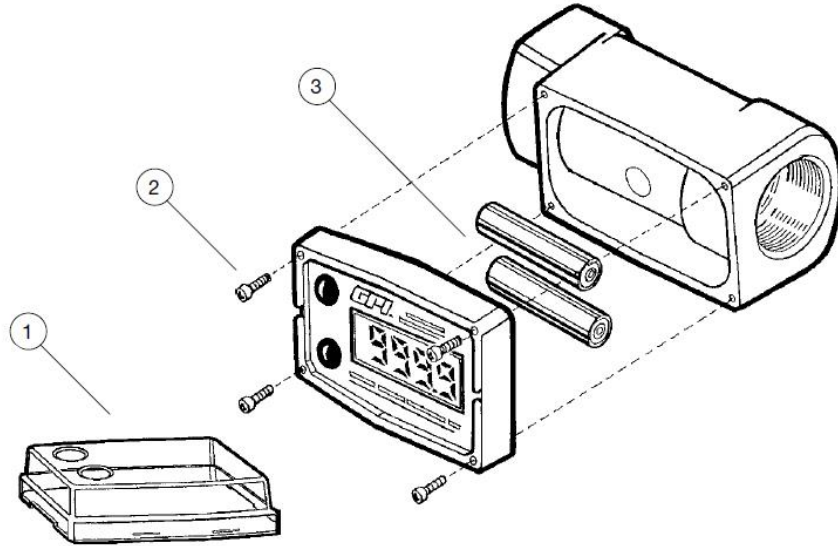


A1 SERIES COMMERCIAL GRADE FLOW METERS



Item No.	Part No.	Qty. Req'd.	Description
1	906004-85	1	EDM Cover Single Access Port (optional)
	906004-86	1	EDM Cover Dual Access Port (optional)
2	904004-12	4	Screw, Aluminum Meter
	904003-88	4	Screw, Nylon Meter
3	113520-1	1	Battery Kit (2 batteries included)
	901002-52	1	O-Ring, Computer (not shown)