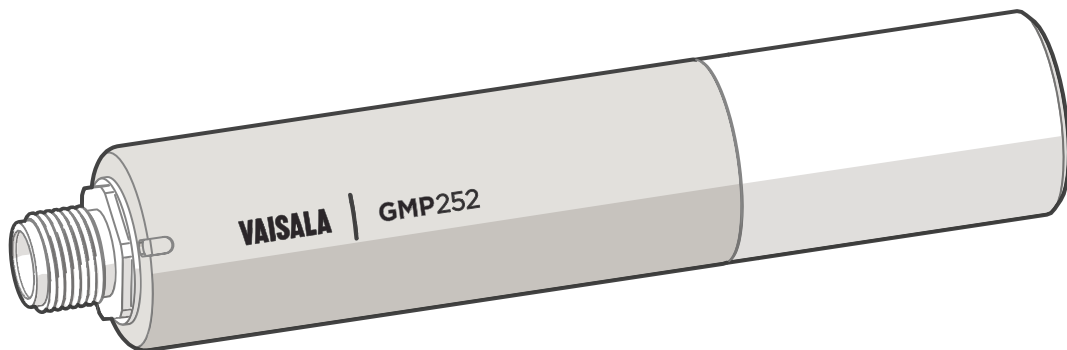


# User Guide

Vaisala CARBOCAP<sup>(R)</sup> Carbon Dioxide Probe

**GMP252**



**VAISALA**

## PUBLISHED BY

Vaisala Oyj

Street address: Vanha Nurmijärventie 21, FI-01670 Vantaa, Finland

Mailing address: P.O. Box 26, FI-00421 Helsinki, Finland

Phone: +358 9 8949 1

Fax: +358 9 8949 2227

Visit our Internet pages at [www.vaisala.com](http://www.vaisala.com).

© Vaisala 2016

No part of this manual may be reproduced, published or publicly displayed in any form or by any means, electronic or mechanical (including photocopying), nor may its contents be modified, translated, adapted, sold or disclosed to a third party without prior written permission of the copyright holder. Translated manuals and translated portions of multilingual documents are based on the original English versions. In ambiguous cases, the English versions are applicable, not the translations.

The contents of this manual are subject to change without prior notice.

Local rules and regulations may vary and they shall take precedence over the information contained in this manual. Vaisala makes no representations on this manual's compliance with the local rules

and regulations applicable at any given time, and hereby disclaims any and all responsibilities related thereto.

This manual does not create any legally binding obligations for Vaisala towards customers or end users. All legally binding obligations and agreements are included exclusively in the applicable supply contract or the General Conditions of Sale and General Conditions of Service of Vaisala.

This product contains software developed by Vaisala or third parties. Use of the software is governed by license terms and conditions included in the applicable supply contract or, in the absence of separate license terms and conditions, by the General License Conditions of Vaisala Group.

# Table of Contents

<b>1. About This Document</b> .....	7
1.1. Documentation Conventions.....	7
1.2. Version Information.....	7
1.3. Related Manuals.....	8
1.4. Trademarks.....	8
1.5. Patent Notice.....	8
<b>2. Product Overview</b> .....	9
2.1. Introduction to GMP252 .....	9
2.2. Basic Features and Options.....	10
2.3. Operating Principle of CO <sub>2</sub> Measurement.....	11
2.4. Environmental Compensation.....	12
2.4.1. Temperature Compensation.....	13
2.4.2. Pressure Compensation.....	13
2.4.3. Background Gas Compensation.....	13
2.5. Probe Startup.....	14
2.6. Analog Output Overrange Behavior.....	14
2.6.1. Analog Output Overrange Example.....	15
2.7. Safety.....	16
2.7.1. ESD Protection.....	16
2.8. Regulatory Compliances.....	16
<b>3. Installation</b> .....	17
3.1. GMP252 Probe Dimensions.....	17
3.2. Recommended Installation.....	17
3.3. Installation Accessories.....	17
3.3.1. 243261SP Installation Flange.....	18
3.3.2. 243257SP Mounting Clips.....	19
3.4. Power Supply.....	19
3.5. Wiring.....	20
<b>4. Vaisala Industrial Protocol</b> .....	21
4.1. Overview.....	21
4.2. Serial Interface Settings.....	21
4.3. Physical Interface.....	21
4.4. Connecting with a Computer.....	22
4.4.1. Installing the Driver for the USB Service Cable.....	23
4.5. Accessing Serial Commands from Modbus or Analog Mode.....	23
4.6. Enabling Modbus Mode from Vaisala Industrial Protocol.....	24
4.7. Changing From Digital Output to Analog Output.....	25
4.8. Serial Commands.....	25
4.9. Device Information and Status.....	28
4.10. Serial Line Output and Communication.....	31
4.11. Analog Output.....	39
4.12. Calibration and Adjustment.....	44
4.13. Environmental Compensation Commands.....	48
4.14. Other Commands.....	55
<b>5. Modbus</b> .....	57

<b>6. Operating with MI70 Indicator</b> .....	58
6.1. Overview of MI70 Support.....	58
6.2. Basic Display.....	58
6.3. Graphical Display.....	59
6.4. Main Menu.....	59
6.5. Connecting Probe to MI70 Indicator.....	59
6.6. MI70 Indicator Parts.....	60
6.7. Holding and Saving the Display.....	60
6.8. Recording Data.....	61
6.9. Changing Environmental Compensation Settings with MI70 Indicator.....	62
6.10. Calibration and Adjustment with MI70 Indicator.....	63
6.10.1. 1-Point Adjustment with an MI70-Compatible Reference Probe.....	63
6.10.2. 1-Point Adjustment with a Reference Gas.....	64
<b>7. Maintenance</b> .....	67
7.1. Cleaning.....	67
7.1.1. Chemical Tolerance.....	67
7.2. Changing the Filter.....	68
7.3. Calibration and Adjustment.....	68
7.3.1. Calibration Setup.....	69
7.3.2. Effect of Environmental Compensations.....	69
7.3.3. Limits of Adjustment.....	70
7.3.4. Adjustment Types.....	70
7.3.5. DRW244827SP Calibration Adapter.....	71
<b>8. Troubleshooting</b> .....	72
8.1. Problem Situations.....	72
8.2. Error Messages.....	72
8.3. Analog Output Error State.....	74
<b>9. Technical Data</b> .....	75
9.1. GMP252 Specifications.....	75
9.2. Spare Parts and Accessories.....	78
9.3. GMP252 Probe Dimensions.....	78
9.4. 243261SP Mounting Flange Dimensions.....	79
9.5. 243261SP Calibration Adapter Dimensions.....	80
<b>Appendix A: Modbus Reference</b> .....	81
A.1. Function Codes.....	81
A.2. Modbus Registers.....	81
A.2.1. Measurement Data.....	81
A.2.2. Configuration Registers.....	82
A.2.3. Status Registers.....	84
A.2.4. Device Identification Objects.....	84
A.3. Modbus Communication Examples.....	86
A.4. Filtering Factor.....	88
Technical Support.....	89
Warranty.....	89
Recycling.....	89

## List of Figures

Figure 1	GMP252 Probe Parts.....	9
Figure 2	Probe Cuvette with Mirror and Sensor Chips.....	11
Figure 3	CO2 Measurement in the Measurement Cuvette.....	12
Figure 4	Example of Analog Output Overage Behavior .....	15
Figure 5	GMP252 Dimensions.....	17
Figure 6	Probe with 243261SP Installation Flange.....	18
Figure 7	Probe in 243257SP Mounting Clips.....	19
Figure 8	Example of analog output overrange behavior.....	43
Figure 9	MI70 Basic Display.....	58
Figure 10	MI70 Indicator Parts.....	60
Figure 11	CO2 Reading with Tcomp and Pcomp on MI70 Screen.....	62
Figure 12	Probe Compensation Settings on MI70 Screen.....	62
Figure 13	Opening the Filter.....	68
Figure 14	DRW244827SP Calibration Adapter with Probe Inserted.....	71
Figure 15	GMP252 Dimensions.....	78
Figure 16	243261SP Mounting Flange Dimensions.....	79
Figure 17	243261SP Mounting Flange Dimensions, Cross Section.....	79
Figure 18	243261SP Calibration Adapter Dimensions.....	80

## List of Tables

Table 1	Document Versions.....	7
Table 2	Related Documents.....	8
Table 3	Applicable Patents.....	8
Table 4	Analog Output Overrange Clipping and Error Limits.....	14
Table 5	M12 Male Connector.....	20
Table 6	Default Serial Interface Settings.....	21
Table 7	Basic Serial Commands.....	26
Table 8	Advanced Serial Commands.....	27
Table 9	? Command.....	28
Table 10	Errs Command.....	28
Table 11	Help Command.....	29
Table 12	Snum command.....	29
Table 13	System Command.....	30
Table 14	Time Command.....	30
Table 15	Vers Command.....	30
Table 16	Addr Command.....	31
Table 17	Close Command.....	31
Table 18	Form Command.....	31
Table 19	Output Parameters for Form Command.....	33
Table 20	Modifiers for Form Command.....	34
Table 21	Intv Command.....	35
Table 22	Open Command.....	35
Table 23	R Command.....	36
Table 24	S Command.....	36
Table 25	Sdelay Command.....	36
Table 26	Send Command.....	37
Table 27	Seri Command.....	37
Table 28	Smode Command.....	38
Table 29	Amode Command.....	39
Table 30	Aover Command.....	40
Table 31	Asel Command.....	43
Table 32	Adate Command.....	44
Table 33	Atext Command.....	45
Table 34	Cdate Command.....	45
Table 35	Ctext Command.....	45
Table 36	CCO2 Command.....	46
Table 37	Env Command.....	49
Table 38	O2cmode Command.....	51
Table 39	Pcmode Command.....	52
Table 40	Rhcmode Command.....	53
Table 41	Tcmode Command.....	54
Table 42	Frestore Command.....	55
Table 43	Pass Command.....	55
Table 44	Reset Command.....	56
Table 45	Default Modbus Serial Communication Settings.....	57
Table 46	Performance.....	75
Table 47	Operating Environment.....	76
Table 48	Inputs and Outputs.....	77
Table 49	Mechanics.....	77
Table 50	Supported Function Codes.....	81

Table 51	Modbus Measurement Data Registers (Read-Only).....	81
Table 52	Modbus Configuration Data Registers (Writable).....	82
Table 53	Modbus Status Registers (Read-Only).....	84
Table 54	Device Identification Objects.....	84





# 1. About This Document

## 1.1. Documentation Conventions



**DANGER!** alerts you to a fatal hazard. If you do not read and follow instructions carefully at this point, death will follow.



**WARNING!** alerts you to a serious hazard. If you do not read and follow instructions carefully at this point, there is a risk of injury or even death.



**CAUTION!** warns you of a potential hazard. If you do not read and follow instructions carefully at this point, the product could be damaged or important data could be lost.



Note highlights important information on using the product.



Tip gives information for using the product more efficiently.

## 1.2. Version Information

Table 1 Document Versions

Document Code	Date	Description
M211897EN-B	August 2016	Modbus status register values and descriptions updated.
M211897EN-A	May 2016	First version.

## 1.3. Related Manuals

Table 2 Related Documents

Document Code	Description
M211893EN	Vaisala CARBOCAP <sup>(R)</sup> Carbon Dioxide Probe GMP252 Quick Guide
M211799EN	Vaisala CARBOCAP <sup>(R)</sup> Carbon Dioxide Probe GMP251 User Guide
M211798EN	Vaisala CARBOCAP <sup>(R)</sup> Carbon Dioxide Probe GMP251 Quick Guide

## 1.4. Trademarks

Vaisala<sup>(R)</sup> and CARBOCAP<sup>(R)</sup> are registered trademarks of Vaisala Oyj.

Windows<sup>(R)</sup> is either a registered trademark or trademark of Microsoft Corporation in the United States and other countries.

All other product or company names that may be mentioned in this publication are trade names, trademarks, or registered trademarks of their respective owners.

## 1.5. Patent Notice

This product is protected by the following patents and their corresponding national rights:

Table 3 Applicable Patents

Patent Issued By	Patent Number
United States Patent and Trademark Office	US 5,827,438
	US 6,177,673
European Patent Office	EP0776023
	EP0922972
German Patent and Trade Mark Office	69615635
Japan Patent Office	4263285
Finnish Patent Office	112005
	105598

## 2. Product Overview

### 2.1. Introduction to GMP252

GMP252 is designed for CO<sub>2</sub> measurement in demanding applications that require reliable and accurate performance. The measurement range is 0 ... 10 000 ppmCO<sub>2</sub> (measurements can be carried out in the 10 000 ... 30 000 ppmCO<sub>2</sub> range with reduced accuracy).

The probe is based on Vaisala's patented 2nd generation CARBOCAP<sup>(R)</sup> technology and equipped with Vaisala's Microglow infrared light source. The probe is easy to install with a plug-in/plug-out M12 connection.

GMP252 is able to compensate for temperature, pressure and background gas. For temperature compensation purposes, the probe includes an internal temperature sensor that allows measurement compensation according to ambient temperature. As dust and most chemicals do not affect the measurement, and the effect of temperature, pressure and background gas can be compensated for, GMP252 can provide accurate and stable measurements in a wide range of applications.

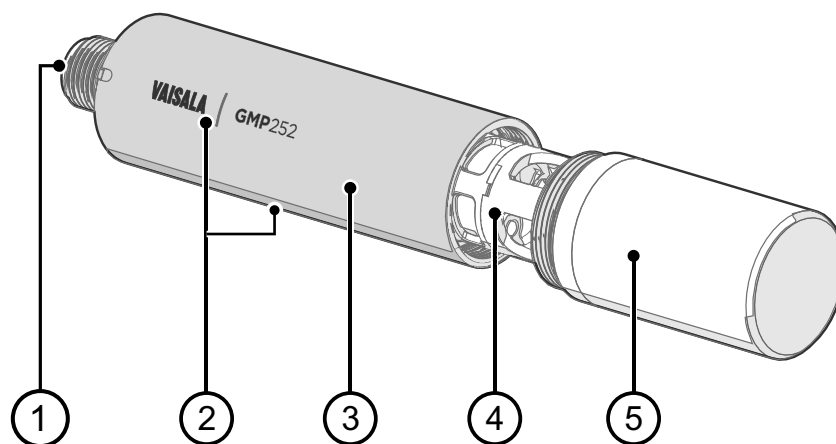


Figure 1 GMP252 Probe Parts

- 1 5-pin M12 connector. For pinout, see [3.5. Wiring \(page 20\)](#).
- 2 Probe name and orientation mark for Vaisala transmitter installations (front) and laser-printed type label (back).
- 3 Probe body. Contains the main component board.
- 4 Measurement cuvette with optics and CARBOCAP<sup>(R)</sup> CO<sub>2</sub> sensor.
- 5 Filter (sintered, PTFE)



**CAUTION!** Do not attempt to open the probe body. There are no user serviceable parts inside the probe body.

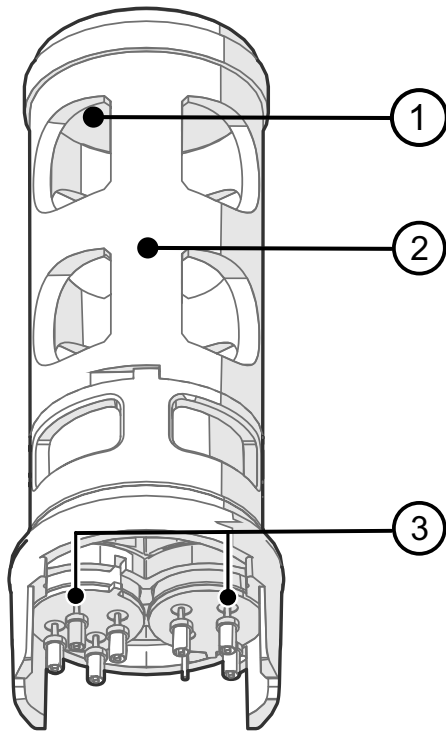
## 2.2. Basic Features and Options

- CO<sub>2</sub> measurement range 0 ... 10 000 ppmCO<sub>2</sub>.
- Measurement up to 30 000 ppmCO<sub>2</sub> with reduced accuracy.
- Operating temperature range -40...+60 °C (-40...140 °F).
- Vaisala CARBOCAP<sup>(R)</sup> CO<sub>2</sub> sensor with excellent long-term stability.
- Measurement compensated for effects of temperature, pressure, and background gas. The temperature compensation can be based on an integrated temperature sensor or use a set temperature. Pressure and background gas parameters can be set to the probe.
- Heating to avoid condensation on optical elements.
- Digital output with RS-485:
  - Modbus RTU
  - Vaisala Industrial Protocol
- Analog output:
  - Current output (0 ... 20 mA or 4 ... 20 mA)
  - Voltage output (0 ... 5 V or 0...10 V)
- Compatible with MI70 hand-held meter.
- Easy plug-in, plug-out.

### More Information

- ▶ [GMP252 Specifications \(page 75\)](#)
- ▶ [Operating Principle of CO<sub>2</sub> Measurement \(page 11\)](#)
- ▶ [Environmental Compensation \(page 12\)](#)
- ▶ [Modbus \(page 57\)](#)
- ▶ [Overview of MI70 Support \(page 58\)](#)

## 2.3. Operating Principle of CO<sub>2</sub> Measurement



The Vaisala CARBOCAP<sup>(R)</sup> sensor used in the probe is a silicon-based, nondispersive infrared (NDIR) sensor for the measurement of gaseous carbon dioxide in air-like gases.

Figure 2 Probe Cuvette with Mirror and Sensor Chips

- 1 Mirror
- 2 Cuvette
- 3 Sensor chips under TO5 package

The sensitivity to carbon dioxide is based on absorption of infrared light at a characteristic wavelength. During measurement, infrared light is routed through the cuvette that contains the gas to be measured. A mirror reflects the light from the cuvette to a thermopile detector that measures the light intensity at a wavelength determined by a Fabry–Pérot interferometer (FPI) and a band pass filter.

The carbon dioxide measurement consists of two steps: first, the FPI is electrically tuned so that its pass band coincides with the characteristic absorption wavelength of carbon dioxide and the signal is recorded. Second, the pass band is shifted to a wavelength where no absorption occurs in order to get a reference signal. The ratio of these two signals, one at the absorption wavelength and the other at the reference wavelength, gives the fraction of light absorption from which the carbon dioxide concentration is calculated. Measuring the reference signal compensates the possible effects of sensor aging and signal attenuation due to dirt on optical surfaces, making the sensor very stable over time.

TO5 packages with hermetic windows are used to protect the sensor chips from moisture and contamination. A heater chip is utilized to prevent condensation in normal operation.

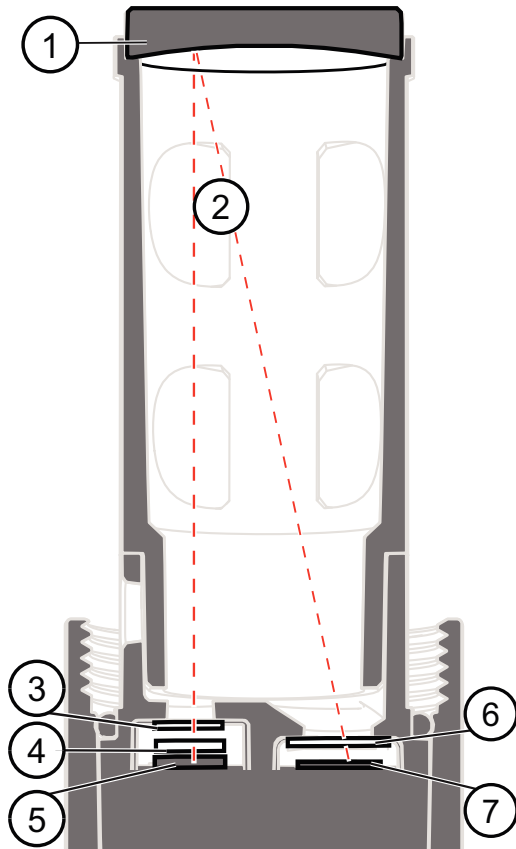


Figure 3 CO<sub>2</sub> Measurement in the Measurement Cuvette

- 1 Gold-plated mirror
- 2 Light absorbed by CO<sub>2</sub> in the measured gas
- 3 Hermetic window
- 4 Fabry-Perot interferometer
- 5 Light source (Microglow)
- 6 Hermetic window
- 7 Thermopile detector

## 2.4. Environmental Compensation

When necessary, various environmental compensations can be applied to improve the CO<sub>2</sub> measurement accuracy of the probe.

The probe can compensate for the effects of the following parameters:

- Temperature
- Pressure
- Background gas oxygen (O<sub>2</sub>) content
- Background gas relative humidity (%RH)



To apply an accurate relative humidity compensation, make sure that also the temperature compensation and pressure compensation configurations match the measurement environment.

The probe has an on-board temperature sensor that can be used to compensate for temperature. Additionally, if the probe is integrated in a system that measures one or more of the compensation parameters (T, P, RH, O<sub>2</sub>), they can be updated to the probe continuously.

Compensation parameters are configured on the order form when ordering the probe, and can later be updated using Vaisala Industrial Protocol or Modbus protocol.

You can also turn off any of the compensations. In that case, the probe uses the default compensation value that is mathematically neutral for the probe's internal compensation model.

### 2.4.1. Temperature Compensation

The probe can measure the approximate temperature of the CARBOCAP<sup>(R)</sup> sensor for compensation, or use a fixed setpoint. The temperature measurement is accurate enough to be useful for compensation, and is recommended for use unless a dedicated temperature measurement is available and can be regularly updated to the probe. If the measurement is made in a constant temperature, this fixed temperature setpoint can be set as the compensation value.

If temperature compensation is turned off, the probe uses the default value of +25 °C (+77 °F).



When the probe is installed through a flange and part of the probe and the cable is left outside the measuring environment, it is possible that temperature conduction from the probe body and cable outside the measurement environment affects the temperature compensation and decreases measurement accuracy.

### 2.4.2. Pressure Compensation

The probe does not have on-board pressure measurement. However, a pressure reading from an external source can be used as a setpoint value for compensation using Vaisala Industrial Protocol or Modbus.

If pressure compensation is turned off, the probe uses the default compensation value of 1013 hPa.

### 2.4.3. Background Gas Compensation

The probe does not have on-board oxygen or relative humidity measurement. However, oxygen and relative humidity readings from an external source can be used as setpoint values for compensation using Vaisala Industrial Protocol or Modbus. The default setpoint values are as follows:

- Oxygen concentration: 0 %O<sub>2</sub> or 21 %O<sub>2</sub>
- Relative humidity: 0 %RH or 50 %RH

If background gas compensations are turned off, the probe uses the value 0 % for both.

In practice, when CO<sub>2</sub> is measured at a ppm level, O<sub>2</sub> and RH compensations have a very small effect on the accuracy of the measurement.

## 2.5. Probe Startup

When powered on, the probe starts up within 12 seconds. Measurements from the outputs (digital and analog) become available during this time but note that they will only reach specified accuracy after a 2-minute warm-up period. For this reason, you should design your system so that it does not rely on measurements from the probe during this time. When the probe is in analog output mode, the probe remains in an error state during the start-up phase until measurement output becomes available.



Specifically note that the CO<sub>2</sub> reading will rise to the correct reading as the sensor's infrared emitter achieves operation temperature.

## 2.6. Analog Output Overrange Behavior

Analog output of the probe has a defined behavior when the values measured by the probe are outside the scaled analog output range. At first, the output is clipped when the measurement exceeds a set limit (the measurement continues, but the output does not change from the clipped value).

When the measurement exceeds the second limit (error limit), the analog output switches to the error state defined for the output. The table below lists the clipping and error limits and default error state outputs for the analog voltage and current outputs.

Table 4 Analog Output Overrange Clipping and Error Limits

Output voltage / current	Clipping Limit	Error Limit	Default Error State Output
0 ... 5 V	>5 %	>10 %	0 V
0 ... 10 V	>1 %	>10 %	0 V
0 ... 20 mA	>5 %	>10 %	23 mA
4 ... 20 mA	>5 %	>10 %	2 mA

The same clipping and error limits are applied when the measured value drops back to the scaled range: at first the output returns to the clipped value from the error state, and then to normal output.



Clipping and error state limits differ for 0 ... 10 V and 0 ... 5 V outputs. For 0 ... 10 V output the limits are 1 % and 10 %, and for 0 ... 5 V output the limits are 5 % and 10 %.



## More Information

- ▶ [Analog Output Error State \(page 74\)](#)

### 2.6.1. Analog Output Overage Example

Consider a probe with 0 ... 5 V output, scaled to 0 ... 2000 ppmCO<sub>2</sub>.

- When the measured CO<sub>2</sub> rises above 2000 ppmCO<sub>2</sub>, the output rises above 5 V.
- The output keeps rising until the measurement is 2100 ppmCO<sub>2</sub>, at which point the probe outputs 5.25 V.
- If the CO<sub>2</sub> level rises above 2100 ppmCO<sub>2</sub>, the output still remains at 5.25 V.
- If the CO<sub>2</sub> level rises above 2200 ppmCO<sub>2</sub>, the output enters the error state, which is 0 V for the 0 ... 5 V output.

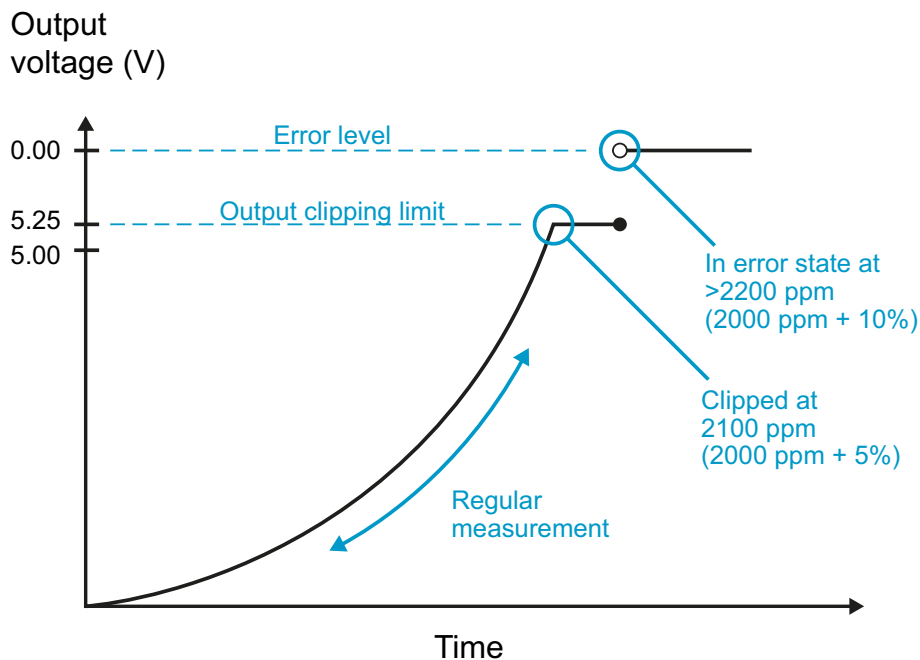


Figure 4 Example of Analog Output Overage Behavior

This example uses output scaled to 0 ... 5 V and 0 ... 2000 ppmCO<sub>2</sub>, error level set to 0 V, clipping set to 5 % overrange, and error limit set to 10 % overrange. CO<sub>2</sub> concentrations (ppm) are indicated for the clipping point and error limit point.



This overrange and error behavior is specific to the analog output, and does not affect the readings of the digital outputs.

You can change the analog output overrange behavior using the **aover** command.

## 2.7. Safety

The probe delivered to you has been tested for safety and approved as shipped from the factory. Note the following precautions:



**WARNING!** When returning a product for calibration or repair, make sure it has not been exposed to dangerous contamination, and is safe to handle without special precautions.



**CAUTION!** Do not modify the unit. Improper modification can damage the product or lead to malfunction.



**CAUTION!** Do not attempt to open the probe body. There are no user serviceable parts inside the probe body.

### 2.7.1. ESD Protection

Electrostatic Discharge (ESD) can cause immediate or latent damage to electronic circuits. Vaisala products are adequately protected against ESD for their intended use. However, it is possible to damage the product by delivering electrostatic discharges when touching an exposed contact on the product.

To make sure you are not delivering high static voltages yourself, avoid touching the pins on the M12 connector.

## 2.8. Regulatory Compliances

The probe is in conformity with the provisions of the following EU directives:

- RoHS Directive
- EMC Directive

Conformity is shown by compliance with the following standards:

- EN 50581: Technical documentation for the assessment of electrical and electronic products with respect to the restriction of hazardous substances.
- EN 61326-1: Electrical equipment for measurement, control, and laboratory use – EMC requirements – Generic environment.
- EN 55022: Information technology equipment – Radio disturbance characteristics – Limits and methods of measurement.

## 3. Installation

### 3.1. GMP252 Probe Dimensions

The dimensions are given in millimeters (mm).

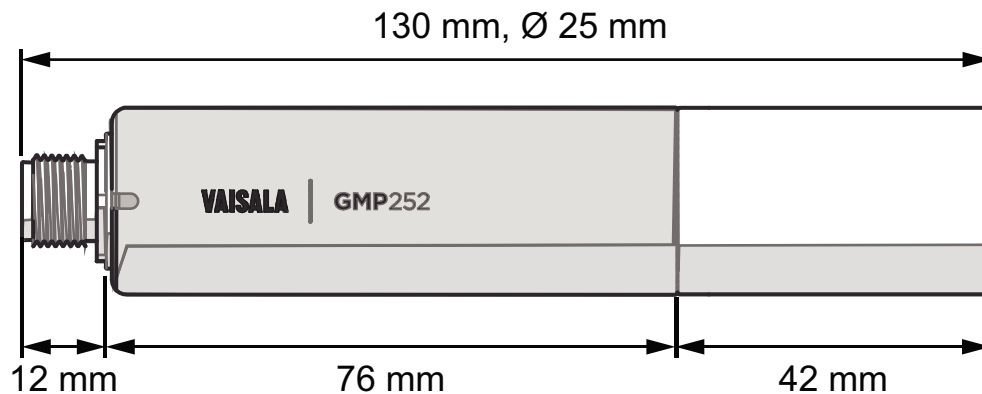


Figure 5 GMP252 Dimensions

### 3.2. Recommended Installation

The probe can be installed in an environment with an operating temperature range -40 ... +60 °C (-40 ... +140 °F). Make sure the probe is in a location that represents the measurement environment properly.

The 5-pin male M12 connector on the probe provides an easy plug-in/plug-out connection to a compatible cable.

### 3.3. Installation Accessories

The probe can be installed through a surface using the optional flange accessory (Vaisala product code 243261SP, or attached for example to a wall with the optional clip accessory (two-clip set, Vaisala product code 243257SP).

#### More Information

- [Spare Parts and Accessories \(page 78\)](#)

### 3.3.1. 243261SP Installation Flange

The optional flange accessory is used to install the probe body through a wall or other surface.

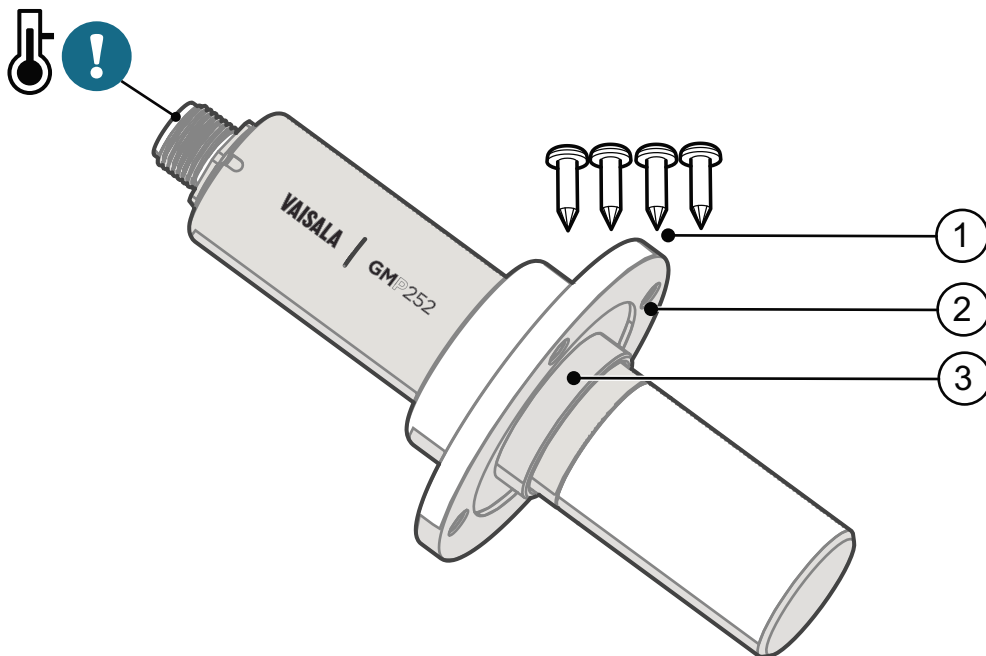


Figure 6 Probe with 243261SP Installation Flange

- 1 4 Phillips head screws (included)
- 2 Installation flange (diameter 60 mm) with four  $\varnothing$  4.2 mm screw holes
- 3 Gasket ring



Leaving part of the probe body and the cable outside the measurement environment can cause heat conduction that affects the temperature compensation and measurement accuracy.

#### More Information

- [243261SP Mounting Flange Dimensions \(page 79\)](#)

### 3.3.2. 243257SP Mounting Clips

The optional mounting clips (set of two clips) are used to hold the probe in place for example on a wall or other surface. Each clip base attaches to the installation surface with one screw (screw hole  $\varnothing$  4.2 mm).

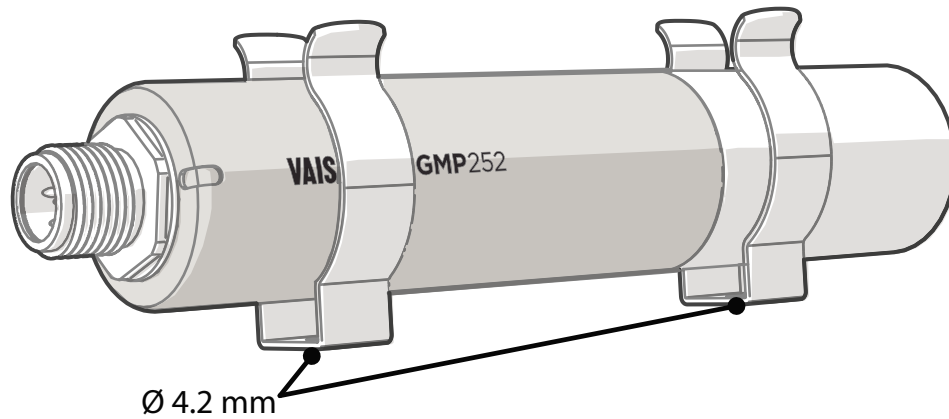


Figure 7 Probe in 243257SP Mounting Clips

## 3.4. Power Supply

The supply voltage range of the probe is 12 ... 30 VDC with the digital output option. If the analog output is used, the supply voltage range is 12 ... 30 VDC for voltage output and 20 ... 30 VDC for current output.

Typical power consumption is less than 0.4 W in continuous operation, and the maximum is 0.5 W.

## 3.5. Wiring

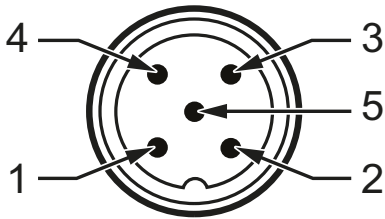


Table 5 M12 Male Connector

Pin#	Function	Note	Cable 223263SP Wire Colors
1	Power in	<ul style="list-style-type: none"> <li>• With digital output: 12 ... 30 VDC</li> <li>• With voltage output: 12 ... 30 VDC</li> <li>• With current output: 20 ... 30 VDC</li> </ul> Typical average power consumption <0.4 W, maximum 0.5 W.	Brown
2	RS-485- or voltage output	Voltage: 0 ... 5 VDC or 0 ... 10 VDC (default analog output scaling)	White
3	GND	-	Blue
4	RS-485 + or current output	Current: 0 ... 20 mA or 4 ... 20 mA (default analog output scaling)	Black
5	Output control	Connecting pin #5 to GND (pin #3) forces the probe to analog output mode. If an analog output configuration has not been selected, default 0...10 VDC and 4...20 mA scalings are used. If pin #5 is not connected, the analog or digital output selected when ordering or set later through configuration is used.	Gray



Note that the probe always remains in analog mode when pin #5 is connected to pin #3, and cannot be switched to digital output in this wiring option.

## 4. Vaisala Industrial Protocol

### 4.1. Overview

RS-485 line of the probe provides an implementation of the Vaisala Industrial Protocol that can be used for service and configuration use, or for interfacing with the system to which the probe is integrated. The protocol is a plaintext protocol suitable for use both by human operators and automated systems.

### 4.2. Serial Interface Settings

Table 6 Default Serial Interface Settings

Property	Description/Value
Bit rate	19200
Parity	None
Data bits	8
Stop bit	1
Flow control	None

### 4.3. Physical Interface

The physical interface is a non-isolated 2-wire interface. The data lines are RS-485 D- and RS-485 D+. Ground is shared with power supply. The connector is a 5-pin male M12.

#### More Information

- [Wiring \(page 20\)](#)

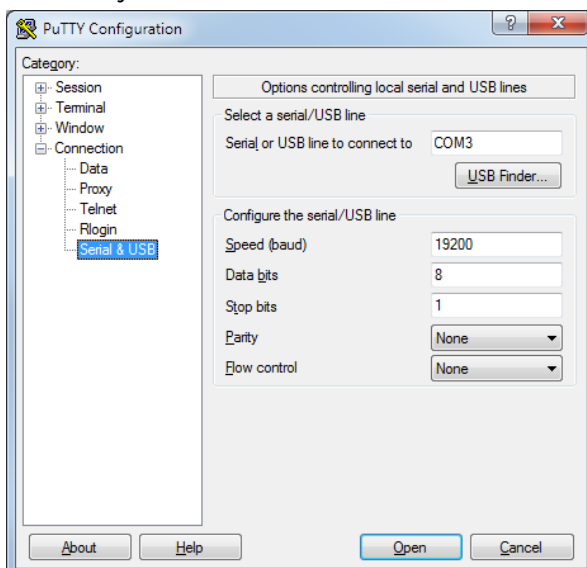
## 4.4. Connecting with a Computer



- Vaisala USB service cable (order code 242659)
- Computer with:
  - Windows operating system
  - Terminal application (for example PuTTY, available from [www.vaisala.com/software](http://www.vaisala.com/software))
  - Free USB port
  - Driver for Vaisala USB service cable installed (available on the cable installation media and at [www.vaisala.com/software](http://www.vaisala.com/software))

The steps below describe how to connect to the probe using the PuTTY terminal application for Windows and a USB computer connection cable. Connecting with a computer allows you to configure and troubleshoot your probe using serial line commands.

- ▶ 1. If you have not used the Vaisala USB cable before, install the driver before attempting to use the cable.
2. Connect the USB serial interface cable between your computer and the M12 connector of the probe.
3. Start the PuTTY application.
4. Select **Connection > Serial & USB** and check that the correct COM port is selected in the **Serial or USB line to connect to** field. If you are using the PuTTY terminal application supplied by Vaisala, you can press the **USB Finder** button to open the Vaisala USB Instrument Finder program.
5. Check that the other serial settings are correct for your connection, and change if necessary. **Flow control** should be set to **None** unless you have a reason to change it.





6. Select **Terminal**. Use the following settings:
  - **Local Echo**  
Select **Force on**. This setting ensures that your typing is shown on the session window.
  - **Send line ends with line feeds (CR+LF)**  
Set to **Selected**. This setting ensures that all text lines remain visible on the session window.
7. To open the connection window and start using the serial line, select **Open**.



If PuTTY is unable to open the serial port you selected, it shows you an error message instead. If this happens, restart PuTTY and check the settings.

### More Information

- [Serial Interface Settings \(page 21\)](#)
- [Installing the Driver for the USB Service Cable \(page 23\)](#)

#### 4.4.1. Installing the Driver for the USB Service Cable

Before taking the USB service cable into use for the first time, you must install the provided USB driver on your computer (requires Windows). When installing the driver, you must accept any security prompts that may appear.

- ▶ 1. Check that the USB service cable is not connected. Disconnect the cable if you have already connected it.
2. Insert the media that came with the cable, or download the latest driver from [www.vaisala.com/software](http://www.vaisala.com/software).
3. Run the USB driver installation program (setup.exe), and accept the installation defaults. The installation of the driver may take several minutes.
4. After the driver has been installed, connect the USB service cable to a USB port on your computer. Windows will detect the new device, and use the driver automatically.
5. The installation has reserved a COM port for the cable. Verify the port number, and the status of the cable, using the Vaisala USB Instrument Finder program that has been installed in the Windows Start menu. Windows will recognize each individual service cable as a different device, and reserve a new COM port. Remember to use the correct port in the settings of your terminal program.

## 4.5. Accessing Serial Commands from Modbus or Analog Mode

- ▶ 1. Connect the USB cable to your PC and start the terminal application as instructed in [4.4. Connecting with a Computer \(page 22\)](#).

2. Start a new terminal session using the default serial settings.
3. Keep the Enter key pressed down and connect the probe to the USB cable. When the probe is powered on (connected to your PC with the USB cable), you must send five carriage returns (Enter key presses) within 0.7 seconds to force the probe to serial command mode. The probe model information appears in the terminal application when the mode has been successfully changed, and Vaisala Industrial Protocol commands are available for use.
4. To test the connection, enter for example the **?** command. If the mode change failed, close the terminal application, disconnect the probe from the USB cable, and repeat [step 2](#) and [step 3](#).
5. To keep the serial mode in use (forced serial mode access is temporary and switches off at reset), select a serial output option (stop/run/poll) with the **smode** command.



Note that the probe always remains in analog mode when pin #5 is connected to pin #3, and cannot be switched to digital output in this wiring option.

### More Information

- ▶ [Serial Interface Settings \(page 21\)](#)
- ▶ [Enabling Modbus Mode from Vaisala Industrial Protocol \(page 24\)](#)

## 4.6. Enabling Modbus Mode from Vaisala Industrial Protocol

If you need to switch from Vaisala Industrial Protocol to Modbus mode, you must configure the following settings:

- Serial line operating mode
  - Modbus address
  - Serial line settings (bit rate, parity, stop and data bits)
- ▶ 1. Connect the USB cable to your PC and start the terminal application as instructed in [4.4. Connecting with a Computer \(page 22\)](#).
  2. Set the serial mode to Modbus with the **smode** command:

```
smode modbus
```

3. Set the Modbus address to 240 with the **addr** command:

```
addr 240
```

4. Set the serial line settings to 19200/N/8/2 with the **seri** command:

```
seri 19200 N 8 2
```

5. Power off (disconnect) the probe or reset with the **reset** command. The new configuration is available at the next restart.

### More Information

- [Accessing Serial Commands from Modbus or Analog Mode \(page 23\)](#)

## 4.7. Changing From Digital Output to Analog Output

- ▶
  1. Set up a terminal connection as instructed in [4.4. Connecting with a Computer \(page 22\)](#).
  2. Change the mode from digital to analog with the smode serial command: **smode analog**.
  3. Reset the probe (disconnect and reconnect the cable or use the reset serial command) to power on in analog output mode.

### More Information

- [Accessing Serial Commands from Modbus or Analog Mode \(page 23\)](#)

## 4.8. Serial Commands

The notation **<cr>** refers to the carriage return control character, which you can send in a terminal application by pressing enter on your keyboard. Before entering commands, send a **<cr>** to clear the command buffer.

You can enter the commands in uppercase or lowercase. In the command examples, the keyboard input by the user is in bold type.

[Table 7 \(page 26\)](#) lists the basic serial commands that are available by default. To access advanced serial commands (listed in [Table 8 \(page 27\)](#)), enter the command **pass 1300**.

Table 7 Basic Serial Commands

Command	Description
<b>Device information and status</b>	
<b>?</b>	Show probe information.
<b>??</b>	Show probe information (will respond in <b>POLL</b> mode).
<b>errs</b>	Show currently active errors.
<b>help</b>	Show list of currently available serial commands.
<b>snum</b>	Show probe serial number.
<b>system</b>	Show probe firmware information.
<b>time</b>	Show probe operation hours and uptime.
<b>vers</b>	Show probe firmware version.
<b>Serial line output and communication</b>	
<b>close</b>	Close connection to probe ( <b>POLL</b> mode)
<b>form [modifier string]</b>	Show or set output format.
<b>intv [0 ... 255 s/min/h]</b>	Set continuous output interval for <b>R</b> command.
<b>open [address]</b>	Open connection to probe in <b>POLL</b> mode.
<b>r</b>	Start the continuous outputting.
<b>s</b>	Stop the continuous outputting.
<b>sdelay [0 ... 255]</b>	Show or set serial line transmission delay in milliseconds.
<b>send</b>	Output a single measurement message.
<b>seri [baud data stop parity]</b>	Show or set the serial interface settings.
<b>smode [mode]</b>	Show or set startup serial mode: <b>RUN</b> , <b>STOP</b> , or <b>POLL</b> .
<b>Environmental compensation</b>	
<b>env</b>	Show or set environmental parameters.
<b>Adjustment information</b>	
<b>adate</b>	Show CO <sub>2</sub> factory adjustment date.
<b>atext</b>	Show CO <sub>2</sub> factory adjustment information.
<b>Other commands</b>	

Command	Description
<b>reset</b>	Reset the probe.
<b>pass [1300]</b>	Access advanced serial commands.

Table 8 Advanced Serial Commands

Command	Description
<b>Serial line output and communication</b>	
<b>addr [0 ... 254]</b>	Show or set probe address.
<b>Analog output</b>	
<b>amode</b>	Show or set analog output mode (analog output limits and error level).
<b>aover</b>	Show or set analog output overrange and clipping behavior.
<b>asel</b>	Show or set analog output parameter and scaling.
<b>Calibration and adjustment</b>	
<b>cco2</b>	Adjust CO <sub>2</sub> measurement gain and offset.
<b>cdate</b>	Show or set calibration date.
<b>ct</b>	Adjust temperature measurement offset.
<b>ctext</b>	Show or set calibration information.
<b>Environmental compensation</b>	
<b>o2cmode</b>	Show or set oxygen compensation mode.
<b>pcmode</b>	Show or set pressure compensation mode.
<b>rhcmode</b>	Show or set humidity compensation mode.
<b>tcmode</b>	Show or set temperature compensation mode.
<b>Other commands</b>	
<b>frestore</b>	Restore probe to factory settings.

## 4.9. Device Information and Status

Table 9 ? Command

Syntax	Description
?<cr>	Show listing of device information.
??<cr>	Show listing of device information even if device is in poll mode and connection has not been opened using the <b>open</b> command.
<p>Example:</p> <pre> ? Device : GMP25x Copyright : Copyright (c) Vaisala Oyj 2016. All rights reserved. SW Name : GMP25x SW version : 1.0.0 SNUM : GMP233_5_18 SSNUM : S1234567 CBNUM : c1234567 Calibrated : 20160504 @ Vaisala/R&amp;D Address : 0 Smode : STOP </pre>	

Table 10 Errs Command

Syntax	Description
errs<cr>	Show active error(s). For a list of possible errors and their remedies, see <a href="#">8.2. Error Messages (page 72)</a> .
<p>Example (no active errors):</p> <pre> errs NO CRITICAL ERRORS NO ERRORS NO WARNINGS STATUS NORMAL </pre>	

Table 11 Help Command

Syntax	Description
<b>help&lt;cr&gt;</b>	Show list of currently available serial commands.
Example (showing a list of the basic commands):	
<pre>help ADATE ADDR ATEXT CLOSE ENV ERRS FORM HELP INTV PASS RR ESET RX SDELAY SEND SENDX SERI SMODE SNUM SYSTEM UNIQID TIME VERS</pre>	

Table 12 Snum command

Syntax	Description
<b>snum&lt;cr&gt;</b>	Show serial number of the probe.
Example:	
<pre>snum SNUM : M0220028</pre>	

Table 13 System Command

Syntax	Description
<b>system</b> <cr>	Show probe firmware information.
Example:	
<pre> <b>system</b> Device Name : GMP25x SW Name : GMP25x SW version : 1.0.0 Operating system : TSFOS1.0 </pre>	

Table 14 Time Command

Syntax	Description
<b>time</b> <cr>	Show how long the probe has been in operation since the last startup or reset. The operation counter is in format hh:mm:ss.
Example:	
<pre> <b>time</b> Time : 01:41:24 </pre>	

Table 15 Vers Command

Syntax	Description
<b>vers</b> <cr>	Show firmware version of the probe.
Example:	
<pre> <b>vers</b> SW version : 1.0.0 </pre>	



## 4.10. Serial Line Output and Communication

Table 16 Addr Command

Syntax	Description
<b>addr</b> <cr>	Show current device address. Addresses are required for <b>POLL</b> mode.
<b>addr [aaa]</b> <cr>	Set new device address. <b>aaa</b> = address, 0 ... 254 (default = 0)
Example (shows 0 as current address, enter 5 as the new address): <pre> <b>addr</b> Address : 0 <b>addr 5</b> Address : 5           </pre>	

Table 17 Close Command

Syntax	Description
<b>close</b> <cr>	Close the connection that was opened with the <b>open</b> command.
Example: <pre> <b>close</b> line closed           </pre>	

Table 18 Form Command

Syntax	Description
<b>form</b> <cr>	Show the currently used measurement format.
<b>form /</b> <cr>	Reset measurement format to default.

Syntax	Description
<p><b>form [sss]&lt;cr&gt;</b></p>	<p>Set a new measurement format.  <b>sss</b> = String consisting of modifiers and abbreviations for measured parameters. See Table 19 on the facing page and Table 20 on the facing page.                      Maximum length is 150 characters. Maximum length may be shorter when text strings are used.</p>
<p>Example (show currently used measurement format (default format shown here)):</p> <pre data-bbox="223 636 1350 775"> <b>form</b> 6.0 "CO2=" CO2 " " U3 #r #n                     </pre> <p>Output example (continuous output from RUN mode):</p> <pre data-bbox="223 909 1350 1016"> CO2= 452 ppm                     </pre>	
<p>Example (set output format as %CO<sub>2</sub>):</p> <pre data-bbox="223 1149 1350 1288"> <b>form 3.1 "CO2=" CO2% " " U4 #r #n</b> OK                     </pre> <p>Output example (continuous output from RUN mode):</p> <pre data-bbox="223 1422 1350 1626"> CO2= 5.1 %CO2 CO2= 5.1 %CO2 CO2= 5.0 %CO2 ...                     </pre>	

Syntax	Description
Example (set output format as CO <sub>2</sub> ppm with Modulus-65536 checksum):	
	<pre>form 6.0 "CO2=" CO2 " " U3 " " CS4 #r #n OK</pre>
Output example (continuous output from RUN mode):	
	<pre>CO2= 3563 ppm 9F CO2= 3562 ppm 9E CO2= 3559 ppm A4 ...</pre>
Example (set output format as CO <sub>2</sub> ppm, with <b>start of text</b> (ASCII character 002) and <b>end of text</b> (003) ASCII codes, and without line feed and carriage return at the end):	
	<pre>form #002 6.0 "CO2=" CO2 " " U3 #003 OK</pre>
Output example (continuous output from RUN mode, ASCII codes not visible here):	
	<pre>CO2= 866 ppm CO2= 866 ppm CO2= 867 ppm CO2= 867 ppm CO2= 867 ppm CO2= 868 ppm CO2= 868 ppm CO2= 869 ppm ...</pre>

Table 19 Output Parameters for Form Command

Output Parameter	Abbreviation in Form Command
Carbon dioxide in ppm	<b>co2</b>
Carbon dioxide in percent	<b>co2%</b>
Currently used temperature compensation value	<b>tcomp</b>
Currently used pressure compensation value	<b>pcomp</b>

Output Parameter	Abbreviation in Form Command
Currently used oxygen concentration compensation value	<b>o2comp</b>
Currently used relative humidity compensation value	<b>rhcomp</b>

Table 20 Modifiers for Form Command

Modifier	Description
<b>x.y</b>	Length modifier (number of digits and decimal places).
<b>#t</b>	Tabulator.
<b>#r</b>	Carriage-return.
<b>#n</b>	Line feed.
<b>""</b>	String constant, length 1 ... 15 characters.
<b>#xxx</b>	ASCII code value (decimal) of a special character; for example, #027 for ESC.
<b>addr</b>	Probe address (0 ... 254).
<b>sn</b>	Probe serial number.
<b>time</b>	Cumulative operating hours of the probe.
<b>ux</b>	Name of the measurement unit using x number of characters. For example, <b>u3</b> shows the name of the measurement unit with three characters.
<b>cs4</b>	Modulus-65536 checksum of message sent so far, ASCII encoded hexadecimal notation.
<b>csx</b>	NMEA xor-checksum of message sent so far, ASCII encoded hexadecimal notation.



You can also use the backslash character \ instead of the hash character #.

Table 21 Intv Command

Syntax	Description
<b>intv&lt;cr&gt;</b>	Show the output interval of the automatically repeating measurement messages ( <b>r</b> command and run mode).
<b>intv [iii uuu]&lt;cr&gt;</b>	Set the output interval. iii = interval, range 0 ... 255. u = unit for interval setting: <ul style="list-style-type: none"> <li>• s = seconds</li> <li>• min = minutes</li> <li>• h = hours</li> </ul> If you set the interval to 0, the output messages are output as quickly as they are generated, without additional delay.
Example:	
<pre>intv 5 s Output interval: 5 S</pre>	

Table 22 Open Command

Syntax	Description
<b>open [aaa]&lt;cr&gt;</b>	Open a connection to a device at the specified address. Required when device is in poll mode. <b>aaa</b> = address, range 0 ... 254.
Example (target probe in POLL mode, with address 52):	
<pre>open 52 GMP25x: 52 Opened for operator commands</pre>	

Table 23 R Command

Syntax	Description
<b>r&lt;cr&gt;</b>	Start the continuous outputting of measurement values as an ASCII text string to the serial line. The probe keeps outputting measurement messages at the interval that has been set with the <b>intv</b> command until stopped with the <b>s</b> command.
Example:	
<pre> <b>r</b> C02= 1024 ppm C02= 1024 ppm C02= 1028 ppm C02= 1026 ppm C02= 1028 ppm ... </pre>	

Table 24 S Command

Syntax	Description
<b>s&lt;cr&gt;</b>	Stop the continuous outputting that was started with the <b>r</b> command.
Example:	
<pre> ... C02= 658 ppm C02= 654 ppm C02= 655 ppm <b>s</b> </pre>	

Table 25 Sdelay Command

Syntax	Description
<b>sdelay&lt;cr&gt;</b>	Show serial line transmission delay in milliseconds.
<b>sdelay [delay]&lt;cr&gt;</b>	Set a new serial line transmission delay. <b>delay</b> = Serial line delay, range 0 ... 255 (milliseconds).

Syntax	Description
Example (set delay to 50 milliseconds):	
<pre><b>sdelay 50</b> COM transmit delay : 50</pre>	

Table 26 Send Command

Syntax	Description
<b>send&lt;cr&gt;</b>	Output a single measurement message.
<b>send [aaa]&lt;cr&gt;</b>	Output a single measurement message from a device in poll mode. <b>aaa</b> = address of the probe, range range 0 ... 254
Example:	
<pre><b>send</b> CO2= 1422 ppm</pre>	
Example (target probe in <b>POLL</b> mode, with address 52):	
<pre><b>send 52</b> CO2= 458 ppm</pre>	

Table 27 Seri Command

Syntax	Description
<b>seri&lt;cr&gt;</b>	Show current serial line settings.

Syntax	Description
<b>seri [b p d s]&lt;cr&gt;</b>	<p>Set new serial line settings. The new settings will be taken into use when the probe is reset or powered up.</p> <p><b>b</b> = baud rate (9600, 19200, or 38400)  <b>p</b> = parity</p> <ul style="list-style-type: none"> <li>• <b>n</b> = none</li> <li>• <b>e</b> = even</li> <li>• <b>o</b> = odd</li> </ul> <p><b>d</b> = data bits (7 or 8)  <b>s</b> = stop bits (1 or 2)</p> <p>For Modbus, baud rate must be 9600 ... 38400 and parity must be none.</p>
<p>Example (show current settings):</p> <pre> <b>seri</b> Com1 Baud rate : 19200 Com1 Parity : N Com1 Data bits : 8 Com1 Stop bits : 1 </pre>	
<p>Example (set serial line to 9600 baud, even, 7 data bits, and 1 stop bit, and reset the probe to take the new settings in use):</p> <pre> <b>seri 9600 e 7 1</b> OK <b>seri</b> Com1 Baud rate : 9600 Com1 Parity : E Com1 Data bits : 7 Com1 Stop bits : 1 <b>reset</b> GMP25x 1.0.0 </pre>	

Table 28 Smode Command

Syntax	Description
<b>smode&lt;cr&gt;</b>	Show current start-up operating mode of the serial line, and prompt to enter new mode.



Syntax	Description
<b>smode</b> [ <b>mode</b> ] <b>&lt;cr&gt;</b>	<p>Set serial line start-up operating mode. New mode is taken into use when the device is reset or powered up.</p> <p>Available modes:</p> <p><b>stop</b> = No automatic output. All commands available. Default mode.</p> <p><b>run</b> = Automatic output of measurement messages. You can stop the output with the <b>s</b> command, and recontinue with the <b>r</b> command.</p> <p><b>poll</b> = No automatic output. Will respond to addressed <b>send</b> command and <b>??</b> command. You can use other commands after opening a connection using an addressed <b>open</b> command. Use with RS-485 buses where multiple probes can share the same line.</p> <p><b>modbus</b> = Serial line communication uses the Modbus protocol. Serial line commands (Vaisala Industrial Protocol) are not accessible in the Modbus mode.</p> <p><b>analog</b> = Switches the probe from digital output to analog output (active after probe reset). Serial line commands are not accessible in the analog mode.</p>
<p>Example (set serial mode to "poll"):</p> <pre> <b>smode poll</b> Serial mode : POLL </pre>	

## 4.11. Analog Output

Table 29 Amode Command

Syntax	Description
<b>amode</b> [ <b>channel</b> ] <b>&lt;cr&gt;</b>	<p>Show currently set analog output limits and error level.</p> <p><b>channel</b> = Analog output channel</p> <ul style="list-style-type: none"> <li>• 1 = voltage output (V)</li> <li>• 2 = current output (mA)</li> </ul>

Syntax	Description
<b>amode</b> [ <b>channel lo_value hi_value error_value</b> ] <b>&lt;cr&gt;</b>	Set new analog output limits and error output value. <b>channel</b> = Analog output channel <ul style="list-style-type: none"> <li>• 1 = voltage output (V)</li> <li>• 2 = current output (mA)</li> </ul> <b>lo_value</b> = Low limit of the channel. <b>hi_value</b> = High limit of the channel. <b>error_value</b> = Error value of the channel.
Example (show current configuration):	
<pre> pass 1300 amode 1 Aout 1 range (V) : 0.00 ... 10.00 (error : 0.00) amode 2 Aout 2 range (mA) : 4.00 ... 20.00 (error : 2.00) </pre>	
Example (set channel 1 to 0 ... 5 V, and error output to 0.0 V; set channel 2 to 0 ... 20 mA, and error output to 23 mA):	
<pre> amode 1 0 5 0.0 Aout 1 range (V) : 0.00 ... 5.00 (error : 0.00) amode 2 0 20 23 Aout 2 range (mA) : 0.00 ... 20.00 (error : 23.00) </pre>	

Table 30 Aover Command

Syntax	Description
<b>aover</b> [ <b>channel&lt;cr&gt;</b> ]	Show the behavior of the analog output when the measured value is outside the scaled output range. <b>channel</b> = Analog output channel <ul style="list-style-type: none"> <li>• 1 = voltage output (V)</li> <li>• 2 = current output (mA)</li> </ul>

Syntax	Description
<b>aover [channel clipping error_limit]&lt;cr&gt;</b>	Set the behavior of the analog output when the measured value is outside the scaled output range. <b>channel</b> = Analog output channel <ul style="list-style-type: none"> <li>• 1 = voltage output (V)</li> <li>• 2 = current output (mA)</li> </ul> <b>clipping</b> = Output margin (%) at which the output is clipped. <b>error_limit</b> = Measurement value margin (%) at which the output of the channel goes into the error state. The current or voltage output of the error state is defined using the <b>amode</b> command.
Example (view currently set analog output overrange behavior on channel 1): <pre style="background-color: #f0f0f0; padding: 10px; margin-top: 10px;"> <b>pass 1300</b> <b>aover 1</b> Aout 1 clipping :5.00 % Aout 1 error limit :10.00 %           </pre>	

Syntax	Description
<p>Example (for channel 1):</p> <ol style="list-style-type: none"><li data-bbox="252 349 1326 405">1. View currently set analog output scaling (<b>asel</b> command), limits and error level (<b>amode</b> command), and overrange behavior (<b>aover</b> command): <pre data-bbox="284 477 1350 804"><b>pass 1300</b> <b>asel 1</b> Aout 1 quantity : CO2(0 ... 2000) <b>amode 1</b> Aout 1 range (V) : 0.00 ... 5.00 (error : 0.00) <b>aover 1</b> Aout 1 clipping :1.00 % Aout 1 error limit :5.00 %</pre></li><li data-bbox="252 846 970 875">2. Set analog output overrange clipping to 5 % and error limit to 10 %: <pre data-bbox="284 943 1350 1111"><b>aover 1 5 10</b> Aout 1 clipping : 5.00 % Aout 1 error limit : 10.00 %</pre></li></ol> <p>The analog output now behaves like this:</p> <ul data-bbox="252 1200 1350 1473" style="list-style-type: none"><li>• Clipping is now set to 5.00 %, meaning the voltage output is allowed to vary between 0 ... 5.25 V. The analog channel will output the measurement for 0 ... 2100 ppmCO<sub>2</sub>, but range 0 ... 5 V remains scaled to 0 ... 2000 ppmCO<sub>2</sub>.</li><li>• Error limit is 10 %, which means the output will show the error state (0 V) when the measured CO<sub>2</sub> concentration is 10 % outside the scaled output range. With the settings above, this will happen if the measured CO<sub>2</sub> concentration is outside range 0 ... 2200 ppmCO<sub>2</sub>.</li><li>• The voltage output will never be above 5.25 V because of clipping: the voltage output is clipped when the output reaches 5.25 V, and if the measured CO<sub>2</sub> concentration keeps rising above 2200 ppmCO<sub>2</sub>, the output jumps directly to the error state 0 V.</li></ul>	

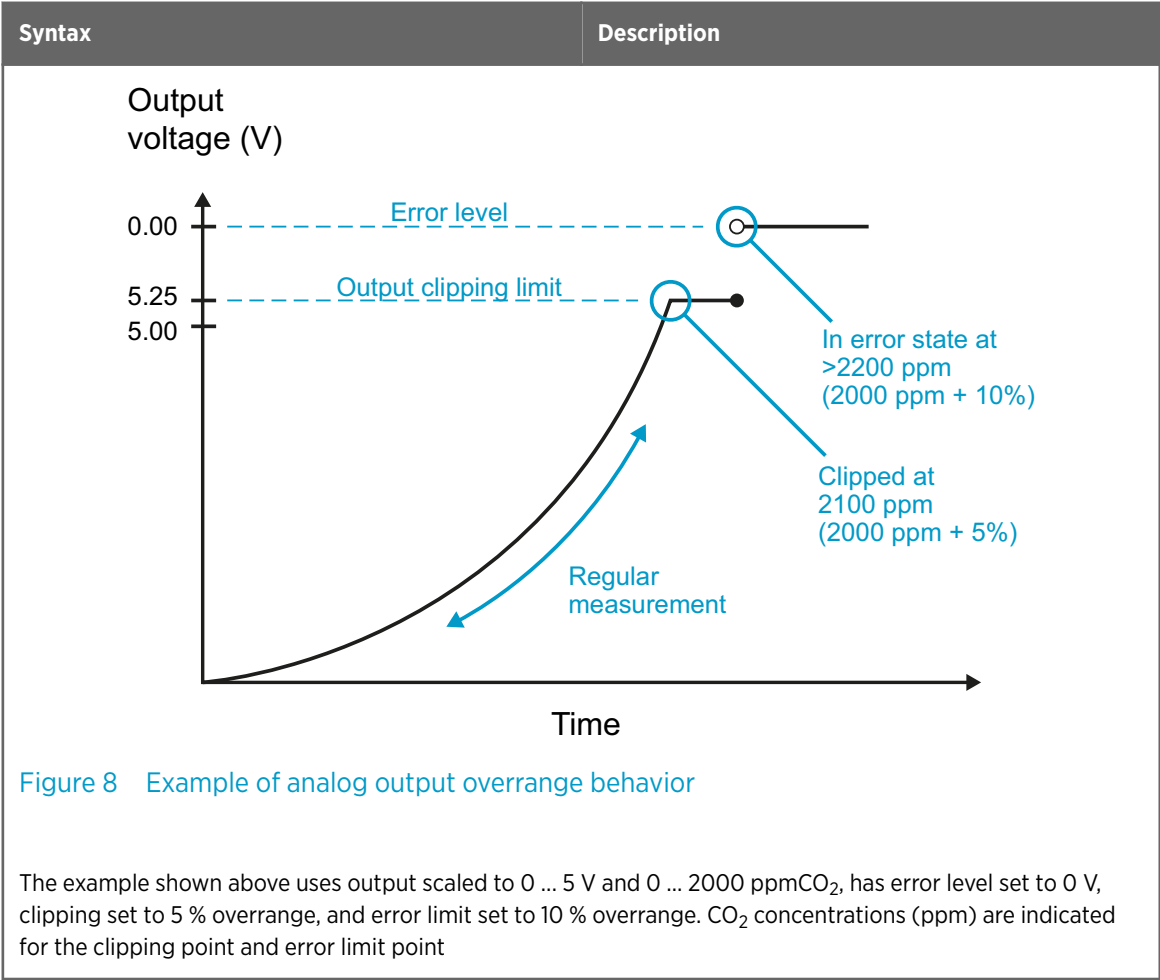


Table 31 Asel Command

Syntax	Description
<b>asel</b> [channel]<cr>	Show the parameter and scaling of the analog output in ppm. <b>channel</b> = Analog output channel <ul style="list-style-type: none"> <li>• 1 = voltage output (V)</li> <li>• 2 = current output (mA)</li> </ul>
<b>asel</b> [channel] [parameter lowlimit highlimit]<cr>	Set the parameter and scaling of the analog output. <b>channel</b> = Analog output channel <b>parameter</b> = Parameter that is output on analog channel. The only parameter available is CO <sub>2</sub> (in ppm). <b>lowlimit</b> = Lower limit of channel scaling in ppm. Minimum value is -1000000 ppm (= - 100 %). <b>highlimit</b> = High limit of channel scaling in ppm. Maximum value is 1000000 ppm (= 100 %).

Syntax	Description
<p>Example (for channel 1, show the currently set analog output parameter and scaling):</p> <pre>pass 1300 asel 1 Aout 1 quantity : CO2(0 ... 10000 ppm)</pre>	
<p>Example (for channel 1, set scaling to 0 ... 4000 ppmCO<sub>2</sub>):</p> <pre>pass 1300 asel 1 co2 0 4000 Aout 1 quantity : CO2(0 ... 4000 ppm)</pre>	

## 4.12. Calibration and Adjustment



**CAUTION!** Before using the calibration and adjustment commands, read through [7.3. Calibration and Adjustment \(page 68\)](#). Make sure that the environmental compensation settings of the probe are properly set for your calibration environment; see [2.4. Environmental Compensation \(page 12\)](#).

Table 32 [Adate Command](#)

Syntax	Description
<b>adate&lt;cr&gt;</b>	Show CO <sub>2</sub> factory adjustment date.
<p>Example:</p> <pre>adate Adjustment date : 20150420</pre>	

Table 33 Atext Command

Syntax	Description
<code>atext&lt;cr&gt;</code>	Show CO <sub>2</sub> factory adjustment information.
Example:	
<pre> <b>atext</b> Adjusted at Vaisala/Helsinki </pre>	

Table 34 Cdate Command

Syntax	Description
<code>cdate&lt;cr&gt;</code>	Show calibration date.
<code>cdate [yyyymmdd]&lt;cr&gt;</code>	Set a new calibration date. <b>yyyymmdd</b> = Year (yyyy), month (mm) and day (dd) of calibration
Example:	
<pre> <b>pass 1300</b> <b>cdate</b> Calibration date : 20150220 </pre>	
Example (set a new calibration date to June 30, 2015):	
<pre> <b>cdate 20150630</b> Calibration date : 20150630 </pre>	

Table 35 Ctext Command

Syntax	Description
<code>ctext&lt;cr&gt;</code>	Show calibration information text.
<code>ctext [text]&lt;cr&gt;</code>	Set a new calibration information text to be shown after the automatic text "Calibrated at".

Syntax	Description
Example:	
	<pre> <b>pass 1300</b> <b>ctext</b> Calibrated at 500 ppm in lab </pre>
Example (set a new information text):	
	<pre> <b>ctext 0/1000 by NN</b> Calibrated at 0/1000 ppm by NN </pre>

Table 36 CO<sub>2</sub> Command

Syntax	Description
<b>cco2&lt;cr&gt;</b>	Show current user adjustment status.
<b>cco2 -lo [co2]&lt;cr&gt;</b> <b>cco2 -hi [co2]&lt;cr&gt;</b>	Perform a 1-point (only either low or high concentration) or 2-point (both low and high concentrations) calibration and adjustment. <b>-lo</b> = Adjustment at low concentration (under 1000 ppmCO <sub>2</sub> ) <b>-hi</b> = Adjustment at high concentration (over 2000 ppmCO <sub>2</sub> ) <b>co2</b> = CO <sub>2</sub> concentration reference in ppm
<b>cco2 -save&lt;cr&gt;</b>	Save the currently entered adjustments. Successfully saving the adjustment clears the calibration date ( <b>cdate</b> command) and calibration text ( <b>ctext</b> command) that have been stored in the probe. Use those commands to enter a new calibration date and text.
<b>cco2 -cancel&lt;cr&gt;</b>	Cancel currently entered adjustments.
<b>cco2 -reset&lt;cr&gt;</b>	Clear user adjustments.



Syntax	Description
<p>Example (show current user adjustment status; no adjustment done):</p> <pre>pass 1300 cco2 1.Ref. point low 0 1.Meas. point low 0 2.Ref. point high 3000 2.Meas. point high 3000 Gain : 1.0000 Offset : 0.0000</pre>	
<p>Example (perform a 1-point calibration):</p> <ol style="list-style-type: none"><li>1. Let the probe stabilize in the desired CO<sub>2</sub> concentration (here: 500 ppmCO<sub>2</sub>).</li><li>2. Enter the calibration commands:</li></ol> <pre>pass 1300 cco2 -lo 500 OK cco2 -save OK</pre> <ol style="list-style-type: none"><li>3. Enter a new calibration date and information text:</li></ol> <pre>cdate 20160325 Calibration date : 20160325 ctext 500 ppm in lab Calibrated at 500 ppm in lab</pre>	

Syntax	Description
<p>Example (perform 2-point calibration):</p> <ol style="list-style-type: none"><li>1. Let the probe stabilize in the desired low CO<sub>2</sub> concentration (here: 200 ppmCO<sub>2</sub>).</li><li>2. Enter the calibration commands:</li></ol> <pre data-bbox="284 477 1350 712"><b>pass 1300</b> <b>cco2 -lo 200</b> OK <b>cco2 -save</b> OK</pre> <ol style="list-style-type: none"><li>3. Let the probe stabilize in the desired high CO<sub>2</sub> concentration (here: 3000 ppmCO<sub>2</sub>).</li><li>4. Enter the calibration commands:</li></ol> <pre data-bbox="284 880 1350 1115"><b>pass 1300</b> <b>cco2 -hi 3000</b> OK <b>cco2 -save</b> OK</pre> <ol style="list-style-type: none"><li>5. Enter a new calibration date and information text:</li></ol> <pre data-bbox="284 1249 1350 1485"><b>pass 1300</b> <b>cdate 20160425</b> Calibration date : 20160425 <b>ctext 200/3000 ppm</b> Calibrated at 200/3000 ppm</pre>	

## 4.13. Environmental Compensation Commands




To apply an accurate relative humidity compensation, the temperature and pressure compensation configurations must also match your measurement environment. See the **rhcmode**, **tcmode** and **pcmode** commands for instructions on enabling compensation configuration, and **env** command for instructions on setting a compensation value.



For more information on environmental compensation and the default (neutral) compensation values used for disabled compensations, see [2.4. Environmental Compensation \(page 12\)](#)

Table 37 Env Command

Syntax	Description
<b>env&lt;cr&gt;</b>	<p>Show current compensation values. Before using this command, you must enable environmental compensation using the following commands:</p> <ul style="list-style-type: none"> <li>• <b>o2cmode [on]</b></li> <li>• <b>pcmode [on]</b></li> <li>• <b>rhcmode [on]</b></li> <li>• <b>tcmode [on   measured]</b></li> </ul>
<b>env [temp   pres   oxy   hum] [value]&lt;cr&gt;</b>	<p>Set new permanent compensation values and store them in <b>eeeprom</b>. Eeprom:</p> <ul style="list-style-type: none"> <li>• Non-volatile memory, values retained during power off.</li> <li>• Number of writes is limited to 30000 cycles by memory implementation.</li> <li>• Must only be used for writing permanent values, to avoid wearing out the eeprom.</li> </ul> <p><b>temp</b> = Compensation temperature. Range -40 ... +100 °C.  <b>pres</b> = Compensation pressure. Range 500 ... 1100 hPa.  <b>oxy</b> = Oxygen content of background gas. Range 0 ... 100 %.  <b>hum</b> = Relative humidity of background gas. Range 0 ... 100 %.</p>

Syntax	Description
<pre>env [xtemp   xpres   xoxy   xhum] [value]&lt;cr&gt;</pre>	<p>Set new compensation values and store them in <b>RAM</b>.</p> <p>RAM: n Volatile memory that loses the values when probe is reset, and where values are loaded from non-volatile memory at startup. n Must be used for continuously updated values.</p> <p><b>xtemp</b> = Compensation temperature stored in RAM. Range -40 ... 100 °C.</p> <p><b>xpres</b> = Compensation pressure stored in RAM. Range 500 ... 1100 hPa.</p> <p><b>xoxy</b> = Oxygen content of background gas stored in RAM. Range 0 ... 100 %.</p> <p><b>xhum</b> = Relative humidity of background gas stored in RAM. Range 0 ... 100 %.</p> <div data-bbox="802 748 1350 1079" style="background-color: #f0f0f0; padding: 10px; border: 1px solid #ccc;"> <p> Note: If temperature compensation is configured to use an internally measured value (<b>tcmode</b> is set to <b>measured</b>), it will continuously update the value in RAM, overriding any temperature value that is written to RAM with the ENV command.</p> </div>
<p>Example (Show current compensation values; all compensations are enabled. Note that temperature compensation is in "measured" mode, so the value in use is constantly changing):</p> <div data-bbox="223 1240 1350 1697" style="background-color: #f0f0f0; padding: 10px; border: 1px solid #ccc;"> <pre>env In eeprom: Temperature (C) : 8.00 Pressure (hPa) : 1013.00 Oxygen (%O2) : 21.00 Humidity (%RH) : 30.00  In use: Temperature (C) : 4.90 Pressure (hPa) : 1013.00 Oxygen (%O2) : 19.70 Humidity (%RH) : 27.00</pre> </div>	

Syntax	Description
Example (set temperature compensation to setpoint mode, and change temperature setpoint value to 5.00 °C in RAM):	
<pre> <b>pass 1300</b> <b>tcmode on</b> T COMP MODE : ON <b>env xtemp 5.00</b> In eeprom: Temperature (C) : 8.00 Pressure (hPa) : 1013.00 Oxygen (%O2) : 21.00 Humidity (%RH) : 30.000  In use: Temperature (C) : 5.00 Pressure (hPa) : 1013.00 Oxygen (%O2) : 21.00 Humidity (%RH) : 30.00 </pre>	

Table 38 O2cmode Command

Syntax	Description
<b>o2cmode&lt;cr&gt;</b>	Check current oxygen compensation mode. Possible modes: <ul style="list-style-type: none"> <li>• <b>on</b> = Compensation enabled using setpoint value.</li> <li>• <b>off</b> = Compensation disabled, default (neutral) value used: see <a href="#">2.4. Environmental Compensation (page 12)</a></li> </ul>
<b>o2cmode [on   off]&lt;cr&gt;</b>	Change oxygen compensation mode ( <b>on</b> or <b>off</b> ).
Example (check oxygen compensation mode; oxygen compensation is disabled, a neutral value is used):	
<pre> <b>pass 1300</b> <b>o2cmode</b> O2 COMP MODE : OFF </pre>	

Syntax	Description
Example (enable oxygen compensation):	
<pre>pass 1300 o2cmode on O2 COMP MODE : ON</pre>	

Table 39 Pcmode Command

Syntax	Description
pcmode<cr>	Check current pressure compensation mode. Possible modes: <ul style="list-style-type: none"> <li>• <b>on</b> = Compensation enabled using setpoint value.</li> <li>• <b>off</b> = Compensation disabled, default (neutral) value used: see <a href="#">2.4. Environmental Compensation (page 12)</a>.</li> </ul>
<b>pcmode</b> [ <b>on</b>   <b>off</b> ]<cr>	Change pressure compensation mode ( <b>on</b> or <b>off</b> ).
Example (check pressure compensation mode; pressure compensation is enabled using a setpoint value):	
<pre>pass 1300 pcmode P COMP MODE : ON</pre>	

Table 40 Rhcmode Command


Syntax	Description
<b>rhcmode&lt;cr&gt;</b>	<p>Check current relative humidity compensation mode. Possible modes:</p> <ul style="list-style-type: none"> <li>• <b>on</b> = Compensation enabled using setpoint value.</li> <li>• <b>off</b> = Compensation disabled, default (neutral) value used: see <a href="#">2.4. Environmental Compensation (page 12)</a>.</li> </ul> <div style="border: 1px solid #ccc; background-color: #f0f0f0; padding: 10px; margin-top: 10px;">  <p>To apply an accurate relative humidity compensation, make sure that the temperature compensation and pressure compensation configurations also match the measurement environment.</p> </div>
<b>rhcmode [on   off]&lt;cr&gt;</b>	Change relative humidity compensation mode ( <b>on</b> or <b>off</b> ).
<p>Example (check relative humidity compensation mode; relative humidity compensation is disabled, a neutral value is used):</p> <pre style="background-color: #f0f0f0; padding: 10px; border: 1px solid #ccc;"> <b>pass 1300</b> <b>rhcmode</b> RH COMP MODE : OFF</pre>	
<p>Example (enable temperature, pressure and relative humidity compensation using setpoint values):</p> <pre style="background-color: #f0f0f0; padding: 10px; border: 1px solid #ccc;"> <b>pass 1300</b> <b>tcmode on</b> T COMP MODE : ON <b>pcmode on</b> P COMP MODE : ON <b>rhcmode on</b> RH COMP MODE : ON</pre>	

Table 41 Tcmode Command

Syntax	Description
<b>tcmode</b> <cr>	Check current temperature compensation mode. Possible modes: <ul style="list-style-type: none"> <li>• <b>on</b> = Compensation enabled using setpoint value.</li> <li>• <b>off</b> = Compensation disabled, default (neutral) value used: see <a href="#">2.4. Environmental Compensation (page 12)</a></li> <li>• <b>measured</b> = Compensation enabled using internal measurement.</li> </ul>
<b>tcmode</b> [ <b>on</b>   <b>off</b>   <b>measured</b> ]<cr>	Change temperature compensation mode ( <b>on</b> , <b>off</b> or <b>measured</b> ).
<p>Example (check temperature compensation mode; temperature compensation is enabled using a setpoint value):</p> <pre> pass 1300 tcmode T COMP MODE : ON </pre>	
<p>Example (change temperature compensation to use internal measurement):</p> <pre> pass 1300 tcmode measured T COMP MODE : MEASURED </pre>	



## 4.14. Other Commands

Table 42 Frestore Command


Syntax	Description
<b>frestore</b> <cr>	<p>Restore the probe to its factory configuration. All user settings and user calibration parameters will be lost.</p> <div style="border: 1px solid gray; background-color: #f0f0f0; padding: 5px; margin-top: 10px;">  After using the <b>frestore</b> command, reset the probe using the <b>reset</b> command.         </div>
<p>Example (restore the factory settings and reset the probe):</p> <pre style="background-color: #f0f0f0; padding: 10px; margin-top: 10px;"> <b>pass 1300</b> <b>frestore</b> Parameters restored to factory defaults <b>reset</b> GMP25x 1.0.0           </pre>	

Table 43 Pass Command

Syntax	Description
<b>pass</b> [code]<cr>	<p>Access advanced serial commands. Advanced commands can be used until the next reset.</p> <p><b>code</b> = Code for enabling advanced commands (1300).</p>
<p>Example:</p> <pre style="background-color: #f0f0f0; padding: 10px; margin-top: 10px;"> <b>pass 1300</b>           </pre>	

Table 44 Reset Command

Syntax	Description
<b>reset&lt;cr&gt;</b>	Reset the probe. The probe will restart as if it had just been powered on.
<p>Example:</p> <pre data-bbox="225 551 1353 689"><b>reset</b> GMP25x 1.0.0</pre>	

## 5. Modbus

The probe can be accessed using the Modbus serial communication protocol. The supported Modbus variant is Modbus RTU (Serial Modbus) over RS-485 interface.

For instructions on enabling the Modbus mode when you are using the probe with Vaisala Industrial Protocol, see [4.6. Enabling Modbus Mode from Vaisala Industrial Protocol \(page 24\)](#).

For instructions on switching to Vaisala Industrial Protocol when the probe is in Modbus mode, see [4.5. Accessing Serial Commands from Modbus or Analog Mode \(page 23\)](#).

The pre-configured default Modbus serial settings are presented in the following table.

Table 45 Default Modbus Serial Communication Settings

Description	Default Value
Serial bit rate	19200
Parity	N
Number of data bits	8
Number of stop bits	2
Modbus device address	240

### More Information

- ▶ [Function Codes \(page 81\)](#)
- ▶ [Modbus Registers \(page 81\)](#)

## 6. Operating with MI70 Indicator

### 6.1. Overview of MI70 Support

The probe is compatible with instruments that utilize the MI70 indicator, for example the GM70 Hand-Held Carbon Dioxide Meter. The MI70 indicator is a convenient service tool for viewing the measurement readings, adjusting the environmental compensation settings, and performing calibration and one-point adjustment.



When MI70 is used with GMP252, it is recommended to use the rechargeable battery pack instead of alkaline batteries due to the relatively high power usage in CO<sub>2</sub> measurement.

### 6.2. Basic Display

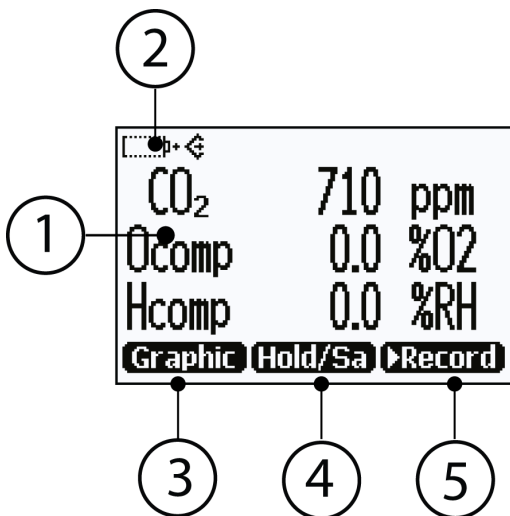


Figure 9 MI70 Basic Display

- 1 Measured parameter and compensations (up to three items on display simultaneously).
- 2 Battery indicator. Shows current status (charge) of the battery.
- 3 Function key **Graphic** shows the readings as a curve.
- 4 Function key **Hold/Save** freezes the display and you can save the reading in the MI70 memory.
- 5 Function key **Record** is a quick access to the **Recording/Viewing** menu.

You can change the shown items in **Main menu > Display > Quantities and units**.

You can change the default function key shortcuts (**Graphic**, **Hold/Save**, **Record**) to other menus or functions in **Main menu > Settings > User interface > Program shortcut keys**.

## 6.3. Graphical Display

The graphical display shows you the measurements as a curve (the curve of the uppermost quantity shown in the basic display). From the curve you can examine the data trend and history of the last minutes.

To open the graphical display, select **Graphic** in the basic display or select **Main menu > Display > Graphic history > Show**.

To get the statistical info on the graph area (minimum, maximum, and average values), press **Info**.

To get the curve of the other selected quantities, press **Next**. To get the curves of all the quantities, press **Next** until the text **All** appears, and then select **All**.

To zoom in and out, press the up/down arrow keys.

To move back and forward in the timeline, use the left/right arrow keys.

## 6.4. Main Menu

In the main menu, you can configure the MI70 settings and basic display options, view information about the probe, access recordings and clear the memory, set alarms, start adjustments, and use the analog output option of the MI70 indicator.

To open the main menu and navigate in the menus:

- ▶ 1. Go to the basic display.
- 2. Press any arrow key, then select **Open** (must be pressed within 5 seconds or the indicator returns to the basic display).
- 3. Move in the menus using the **▲▼** buttons.
- 4. Select an item with the **▶** button.
- 5. To return to the previous level, press **◀**.
- 6. To return to normal operation, press **Open Exit**.

## 6.5. Connecting Probe to MI70 Indicator

- ▶ 1. If the probe is installed permanently into a device (for example, an incubator or a chamber), disconnect the probe from the connector.
- 2. If the MI70 indicator is on, turn it off.
- 3. Connect the probe to the MI70 indicator using the MI70 connection cable (Vaisala order code: CBL210472).
- 4. Turn on the MI70 indicator (time and date are requested at first startup). MI70 detects the probe and proceeds to show the measurement screen. The parameters measured by probe will start to show valid measurement results after a few seconds.

## 6.6. MI70 Indicator Parts

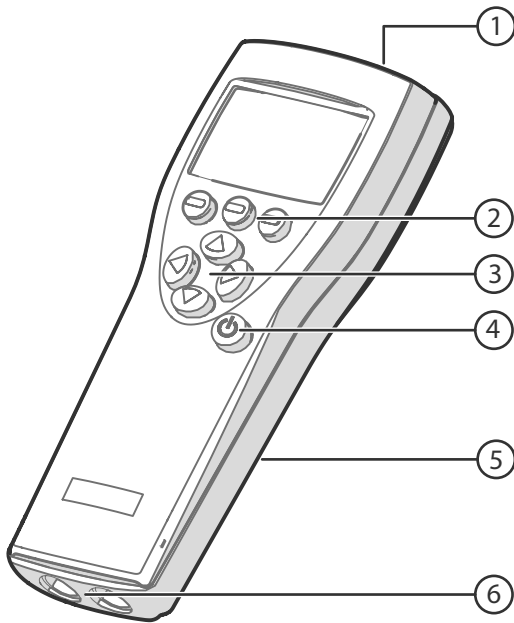







Figure 10 MI70 Indicator Parts

- 1 Charger socket
- 2 Function buttons . The functions change according to what you are doing with the indicator.
- 3 Arrow buttons:
  -  Move up in a menu
  -  Move down in a menu
  -  Enter a sub-menu
  -  Return to previous menu level
- 4 Power On/Off button
- 5 Battery compartment at the back of the indicator
- 6 Two ports (labeled I and II) for connecting probes and instruments.

To open menus, press an arrow button and then press the shortcut buttons. To activate a function shown above the shortcut button, press the shortcut button. To navigate in the menus, press arrow buttons.

## 6.7. Holding and Saving the Display

With the **Hold/Save** function, you can freeze a certain display reading. This reading can be saved in the MI70 memory and it will be available even after MI70 is disconnected from the transmitter.

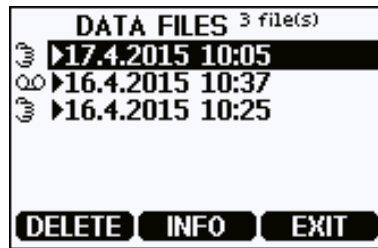
1. In the basic display, select **Hold/Save**. Alternatively, select **Main menu > Display > Hold/Save display > Hold**.
2. Press **Save**.
3. To view the saved display, go to basic display and select **Record > View recorded data**. Alternatively, select **Main menu > Recording/Viewing > View recorded data**. A list of saved displays and data recordings appears. The icons on the left of the date and time indicate whether the file is a saved display or a longer recording of data:



Saved display

Data recording

4. Select the saved display based on date and time by pressing the right arrow key.



## 6.8. Recording Data

With MI70, you can record transmitter measurement data over a certain period at chosen intervals. These recordings are saved in MI70 memory and are available even after MI70 is disconnected from the transmitter.


### Starting and Stopping the Recording

You can record the measurement of the parameters that are currently shown on the MI70 basic display. You can change the shown parameters in **Main menu > Display > Quantities and units**.

1. In the basic display, select **Record > Record data**. Alternatively, select **Main menu > Recording/Viewing > Record data**.
2. If needed, change the interval and duration of the recording in the **RECORD DATA** view. The measurement intervals and maximum recording times are shown in the following table.



If you set the duration to "Memory full", the recording continues until the MI70 memory is full or until you stop the recording manually. The maximum recording time is shown when you start the recording.

3. Select **Start/Stop recording > Start**.  
The recording continues until the duration has passed or until you stop the recording manually.  
You can switch the MI70 off during recording to save battery. A progress bar  is shown on the display every 10 seconds (or all the time, if a charger is connected). The progress bar shows the amount of recorded data.



**CAUTION!** Do not disconnect the probe when the data recording is on, even if the indicator is off. This may cause loss of recorded data.

4. To stop the recording manually, in the basic display select **Record > Record data > Start/stop recording > Stop**. To view the recorded file, select **Show**.

## 6.9. Changing Environmental Compensation Settings with MI70 Indicator

You can see the compensation values that are currently used by the probe by selecting them as display quantities from **Main menu > Display > Quantities and Units**. The quantities are as follows:

- **Tcomp**: currently active temperature compensation value.
- **Pcomp**: currently active pressure compensation value.
- **Ocomp**: currently active oxygen concentration compensation value.
- **Hcomp**: currently active relative humidity compensation value.

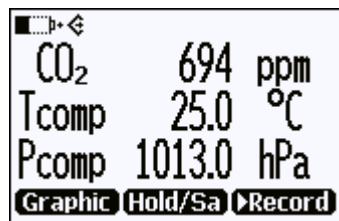


Figure 11 CO<sub>2</sub> Reading with Tcomp and Pcomp on MI70 Screen

You can change the compensation settings from **Main menu > Settings > Measurement settings**. For more information about the possible settings and their meaning, see [2.4. Environmental Compensation \(page 12\)](#).

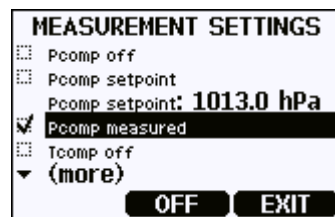


Figure 12 Probe Compensation Settings on MI70 Screen



When you turn a compensation off, the probe still shows a value for the corresponding display quantity (for example, Pcomp shows 1013.2 hPa). This is the default compensation value that is mathematically neutral for the probe's internal compensation model.



## 6.10. Calibration and Adjustment with MI70 Indicator



Before using the MI70 indicator for calibration and adjustment, read the instructions in [7.3. Calibration and Adjustment \(page 68\)](#). Make sure that the environmental compensation settings of the probe are properly set for your calibration environment; see [6.9. Changing Environmental Compensation Settings with MI70 Indicator \(page 62\)](#).



When two probes are connected to the MI70 indicator, MI70 uses Roman numerals “I” and “II” to indicate which port the parameter or function in question is connected to.

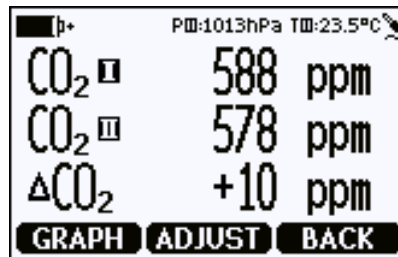
### 6.10.1. 1-Point Adjustment with an MI70-Compatible Reference Probe

- ▶ 1. Connect the GMP252 probe to Port I of the MI70 indicator.
2. Connect the calibrated reference probe to Port II. Make sure the reference probe is in the same environment as GMP252's sensor.
3. If you are using the calibration adapter to feed a calibration gas to GMP252, you must feed the same gas to the reference probe as well. Refer to the documentation of your reference probe on how to do this and what accessories you need.
4. Turn on the MI70 indicator.
5. Start the adjustment sequence from **Main menu > Functions > Adjustments**.

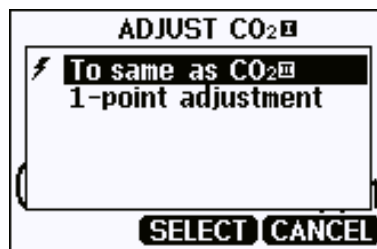


6. MI70 notifies you that automatic power off is disabled during adjustment mode, press **OK** to acknowledge.
7. To proceed with the adjustment, select the **CO2(I)** parameter in the **Select Quantity** screen. In the **Select Quantity** screen you can also view the currently used compensation values, and the **Last adjustment date** information. You can update the date and text using the **CDATE** and **CTEXT** commands on the serial line.

8. You may be prompted to check the environmental settings of the reference probe before proceeding. Press **Yes** to check the settings and **Exit** when you have checked and corrected the settings.
9. The adjustment mode is now active, and you can see the measured CO<sub>2</sub> readings and their difference on the screen. Allow the measurement to stabilize. To proceed with the adjustment, press **Adjust**.



10. Select **To same as CO2(II)**.



11. You will be prompted to confirm you want to adjust: select **Yes**.
12. If the adjustment is successful, MI70 will show the text **Adjustment Done**, after which you will return to the adjustment mode. At this point you can press **Back** and **Exit** to leave the adjustment mode. The adjustment is now completed. If the adjustment cannot be applied, MI70 will show the text **Cannot adjust**, possibly followed by a text stating the reason. A possible reason for an adjustment failure is attempting to apply a very large correction to the reading.

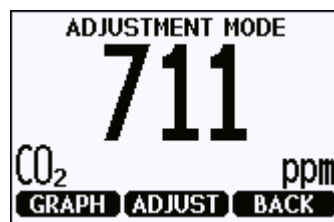
### 6.10.2. 1-Point Adjustment with a Reference Gas

- ▶ 1. Connect GMP252 to Port I of the MI70 indicator.
2. Feed a calibration gas to the GMP252 using the calibration adapter accessory (Vaisala order code: DRW244827SP). If you are using ambient air as the calibration gas, you must have a reference meter in the same environment to verify the CO<sub>2</sub> concentration.
3. Turn on the MI70 indicator.

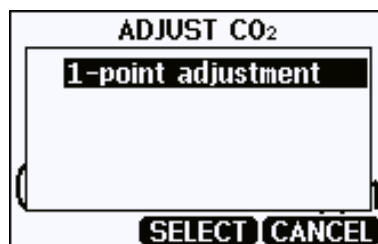
4. Start the adjustment sequence from **Main menu > Functions > Adjustments**.



5. MI70 notifies you that automatic power off is disabled during adjustment mode, press **OK** to acknowledge.
6. Select the CO<sub>2</sub> parameter when prompted.
7. You may be prompted to check the environmental settings of the reference probe before proceeding. Press **Yes** to check the settings and **Exit** when you have checked and corrected the settings.
8. The adjustment mode is now active, and you can see the measured CO<sub>2</sub> reading on the screen. To proceed with the adjustment, press **Adjust**.

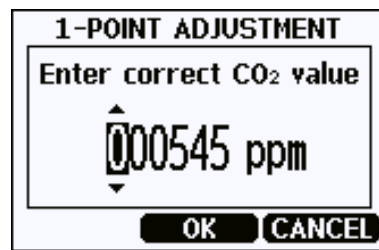


9. Select **1-point adjustment**.



10. You will be prompted if you really want to adjust. Select **Yes**.
11. You are now in the 1-point adjustment screen. Allow the measurement to stabilize and press **Ready**.

12. Enter the CO<sub>2</sub> concentration of the reference gas and press **OK**.



13. You will be prompted if you really want to adjust. Select **Yes**.
14. If the adjustment is successful, MI70 will show the text **Adjustment Done**, after which you will return to the adjustment mode. At this point you can press **Back** and **Exit** to leave the adjustment mode. The adjustment is now completed. If the adjustment cannot be applied, MI70 will show the text **Cannot adjust**, possibly followed by a text stating the reason. A possible reason for an adjustment failure is attempting to apply a very large correction to the reading.

# 7. Maintenance

## 7.1. Cleaning

You can clean the probe body by wiping it with a moist cloth. Standard cleaning agents can be used.

When cleaning, follow these precautions:

- Do not immerse the probe in liquid to clean it.
- Be careful not to block the filter when cleaning the probe. The optional sintered PTFE filter is especially sensitive to blockage.
- When changing the filter, you can use clean instrument air to gently blow any loose dirt and filter material from the sensor. Do not attempt to clean the optical surfaces in any other manner.

### 7.1.1. Chemical Tolerance

The following chemicals can be used to clean the probe:

- H<sub>2</sub>O<sub>2</sub> (2000 ppm), non-condensing
- Alcohol-based cleaning agents such as ethanol and IPA (70 % Isopropyl Alcohol, 30 % water)
- Acetone
- Acetic acid



Avoid exposing the probe to chemicals for unnecessarily long periods of time. Do not immerse the probe in a chemical, and wipe chemicals off the probe after cleaning.

## 7.2. Changing the Filter

Change the filter to a new one if it shows visible signs of contamination or dirt. When changing the filter, use clean gloves to avoid blocking the pores of the new filter.

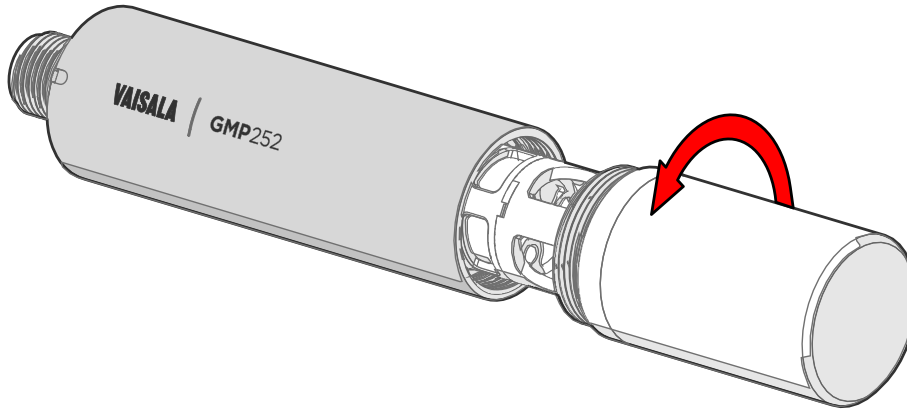


Figure 13 Opening the Filter



**CAUTION!** When changing the filter, you can use clean instrument air to gently blow any loose dirt and filter material from the sensor. Do not attempt to clean the optical surfaces in any other manner.

## 7.3. Calibration and Adjustment

Calibrate and adjust the CO<sub>2</sub> measurement of the probe as needed. Before starting, read through this section completely so that you are aware of your options, and the main factors that affect the result.



Performing an accurate calibration and adjustment takes some time and preparation. Instead of doing it yourself, you can also have a Vaisala Service Center calibrate and adjust your probe.



**Calibration** means comparing the measurement output of the device to a known reference, such as a known environment in a calibration chamber or the output of a reference instrument. Correcting the reading of the device so that it measures accurately is referred to as **adjustment**.

### 7.3.1. Calibration Setup

#### Using Hand-Held Meter as Reference

You can perform a 1-point calibration using a hand-held meter as a reference. You will need a calibrated reference instrument to compare against, for example a GM70 hand-held meter with a calibrated GMP222 probe.

With the probe and the reference instrument in the same space, allow the measurement to stabilize before comparing the readings. Try to provide as stable an environment as you can during this time. Avoid working around the probe and reference instrument during this time.

#### Using Calibration Gas as Reference

There are two easy ways to use a calibration gas as a reference:

- You can supply the gas to the probe using the calibration adapter accessory (Vaisala order code DRW244827SP). Gas flow should be in the range 0.5 ... 1.1 l/min, recommendation is 1 l/min. Allow the measurement to stabilize for three minutes before starting the calibration.
- You can fill the entire incubator with the calibration gas. You can use calibration gas as a reference by putting the probe in a suitable chamber (for example, an incubator) and filling that chamber with the calibration gas.

To perform a two-point adjustment, you need two calibration gases: one gas that is below 1000 ppmCO<sub>2</sub> (low-end reference) and one that is above 2000 ppmCO<sub>2</sub> (high-end reference).

When supplying the gas from a gas bottle, make sure the gas bottle has stabilized to room temperature before starting.

### 7.3.2. Effect of Environmental Compensations

The probe has various environmental compensations that improve its CO<sub>2</sub> measurement accuracy (see [2.4. Environmental Compensation \(page 12\)](#)). As the calibration and adjustment environment may differ from the actual measurement environment, you must make sure that the compensation settings are properly set. Here are some key points to remember:

- Pressure and temperature compensations have a significant effect on accuracy. If you are using setpoint values instead of the values from the builtin temperature sensor or an integrated system, make sure to correct the setpoints so that they correspond to your calibration situation. Consider switching temperature compensation to use the internal sensor and/or integrated system when calibrating, and then switching back when calibration and adjustment is done.
- The effect of background gas compensations for humidity and oxygen may be significant when using calibration gases, since these gases are often dry and oxygen-free. For example, pure nitrogen gas is typically used as a convenient 0 ppm CO<sub>2</sub> reference. As it does not contain any oxygen or humidity, the compensations for them must be set to zero.

- Remember to restore the normal compensation settings after completing calibration and adjustment. If you are integrating the calibration functionality of the probe as part of a control software, also implement proper handling of the environmental compensations.

### 7.3.3. Limits of Adjustment

The probe limits the amount of adjustment that is allowed to the CO<sub>2</sub> measurement. The maximum correction that you can apply is 1000 ppm + 25 % of the probe's uncorrected reading. Previous user adjustments do not affect this limit (the correction is not cumulative). This feature limits the possible error introduced by incorrect adjustment.

For example, if you are adjusting using a 5000 ppmCO<sub>2</sub> calibration gas, the maximum correction you can apply is approximately 2250 ppm. Attempting to apply a greater adjustment will fail. Notification of failure from the probe depends on the interface you are using for adjustment.

### 7.3.4. Adjustment Types

You can adjust the CO<sub>2</sub> measurement of the probe in one or two points.

- One-point adjustment is recommended if you are interested in maintaining a fixed CO<sub>2</sub> level. For best result, use a calibration gas with a CO<sub>2</sub> concentration that is close to the intended level.
- Two-point adjustment is recommended if you typically measure a variable CO<sub>2</sub> level.

Available adjustment functions depend on the interface you use to operate the probe. If you want to integrate the functionality into a control system, the Modbus interface and the Vaisala industrial protocol are recommended. If you want to compare the reading of the probe to a reference instrument and adjust it accordingly, use an MI70 hand-held indicator and a reference probe.

#### Vaisala Industrial Protocol

Vaisala industrial protocol supports one and two-point adjustment with the **cco2** command. Configuration of the environmental compensation settings can be done using serial line commands.

#### Modbus

The environmental compensation settings can be configured using Modbus registers.

#### MI70 Hand-Held Indicator

MI70 hand-held indicator supports one-point adjustment, either using a calibration gas or using a reference instrument that is connected to the MI70.



### 7.3.5. DRW244827SP Calibration Adapter

The optional calibration adapter accessory can be used to feed a reference gas to the probe through a gas port when calibrating. Gas flow should be in the range 0.5 ... 1.1 l/min, recommendation is 1 l/min. Allow the measurement to stabilize for three minutes before starting the calibration.

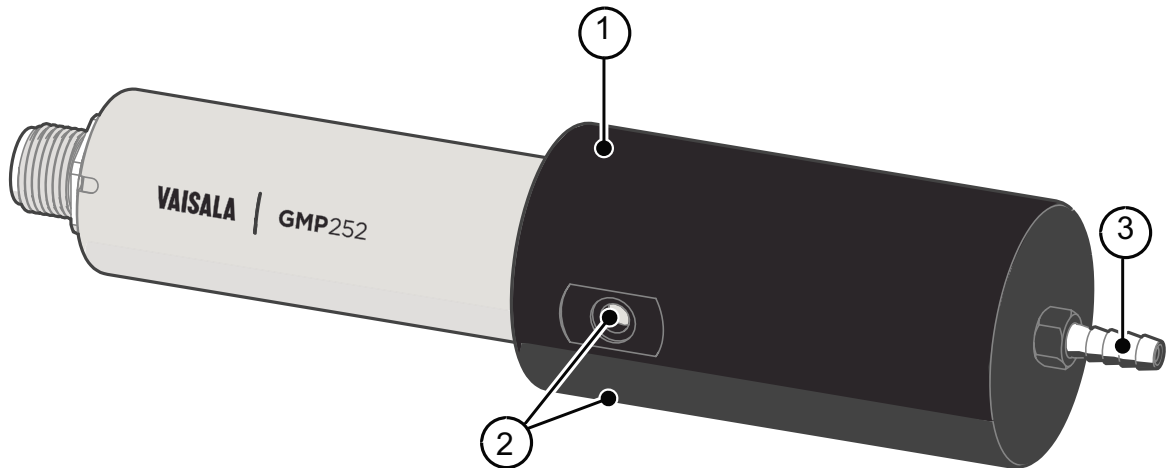


Figure 14 DRW244827SP Calibration Adapter with Probe Inserted

- 1 O-ring inside the adapter
- 2 Gas outlet on each side of the adapter
- 3 Gas port (port outer diameter 4.6 mm, port hole inner diameter 2 mm, suitable for tubing with 4 mm inner diameter)

# 8. Troubleshooting

## 8.1. Problem Situations

Problem	Possible Cause	Remedy
Analog output reading is unchanging and appears incorrect.	Analog output is in error state.	Remove the cause of the error state and the analog output will recover its normal function.
Probe outputs stars "*****" on serial line instead of measurement data.	Incorrect supply voltage.	Check the power supply. Check the active errors using the ERRS command on the serial line.
	Unsuitable operating environment.	Verify that the operating environment is within specified operating limits.
Unable to access probe on the RS-485 line.	Incorrect wiring.	Check that the RS-485 connection is wired correctly.
	Probe in POLL mode with unknown address.	Power cycle or reset the probe and try again.
CO <sub>2</sub> measurement not working.	Condensation on the sensor.	Remove the filter and check if condensation has formed on the sensor. If yes, dry out the condensation with instrument air and insert a new dry filter. Keep the probe powered and operating to prevent re-occurrence.

### More Information

- ▶ [Wiring \(page 20\)](#)
- ▶ [Analog Output Error State \(page 74\)](#)

## 8.2. Error Messages

The error messages are categorized according to the severity of the status:

- **Critical errors** are fatal to the operation of the unit. It may not be able to respond to communication at all, and will not measure correctly.
- **Errors** prevent CO<sub>2</sub> measurement and cause the analog outputs to be set to the error state. Depending on the problem, errors may resolve themselves. For example, sensor heating will eventually dry out condensation on the optical surfaces.
- **Warnings** do not prevent normal operation but may indicate possible problems.
- **Status** indicates a known state of the unit.

Error Message	Description	Recommended Action
<b>Critical errors</b>		
Program memory crc critical error	Program memory is corrupted.	Fatal error, contact Vaisala.
Parameter memory crc critical error	Parameter memory is corrupted.	Fatal error, contact Vaisala.
<b>Errors</b>		
Low supply voltage error		Check supply voltage.
Internal 30 V error	Low internal 30 V voltage.	
Low RX signal error	Low input signal. Can be caused by dirt or condensation on the optical surfaces.	Wait to see if condensation is removed by heat.
Internal 8 V error	Low internal 8 V voltage.	
RX signal cut error	Signal distortion (EMC interference)	
Out of measurement range error	CO <sub>2</sub> concentration is too high to measure.	Wait for CO <sub>2</sub> concentration to fall into the measurable range.
Sensor heater error	Sensor heater resistance is out of range.	
IR temperature error	IR source temperature error.	
FPI slope error	Signal receiver error.	Contact Vaisala.
Internal 2.5 V error	Internal 2.5 V voltage out of range.	
Internal 1.7 V error	Internal 1.7 V voltage out of range.	
Low IR current error	IR source failure.	Contact Vaisala.
<b>Warnings</b>		
Signal too low warning	Low input signal. Can be caused by dirt or condensation on the optical surfaces.	Continue normally.
Cut warning	EMC interference error limit approaching.	Check for EMC interference sources.
Unexpected restart detected	Transmitter is reset by watchdog process.	Continue normally.
<b>Status messages</b>		
CO <sub>2</sub> adjustment mode active		Complete the CO <sub>2</sub> adjustment.

## 8.3. Analog Output Error State

The probe sets the analog output channel into a defined error level instead of the measured result in two situations:

- Probe detects a measurement malfunction. This means an actual measurement problem, such as sensor damage or unsuitable environmental conditions.
- Measured value(s) are significantly outside the scaled output range.

The default error level depends on the output type:

Output	Default Error Level
0 ... 20 mA	23 mA
4 ... 20 mA	2 mA
0 ... 5 V	0 V
0 ... 10 V	0 V

The probe resumes normal operation of the analog output when the cause of the error state is removed.

### More Information

- [Analog Output Overrange Behavior \(page 14\)](#)

# 9. Technical Data

## 9.1. GMP252 Specifications

Table 46 Performance

Property	Specification
Measurement range	0 ... 10 000 ppmCO <sub>2</sub> (up to 30 000 ppmCO <sub>2</sub> with reduced accuracy)
<b>Accuracy at 25 °C and 1013 hPa (incl. repeatability and nonlinearity)</b>	
0 ... 3000 ppmCO <sub>2</sub>	±40 ppmCO <sub>2</sub>
3000 ... 10 000 ppmCO <sub>2</sub>	±2% of reading
Up to 30 000 ppmCO <sub>2</sub>	±3.5% of reading
<b>Calibration uncertainty</b>	
at 2000 ppmCO <sub>2</sub>	±18 ppmCO <sub>2</sub>
at 10 000 ppmCO <sub>2</sub>	±66 ppmCO <sub>2</sub>
<b>Long-term stability</b>	
0 ... 3000 ppmCO <sub>2</sub>	±60 ppmCO <sub>2</sub> /year
3000 ... 6000 ppmCO <sub>2</sub>	±150 ppmCO <sub>2</sub> /year
6000 ... 10 000 ppmCO <sub>2</sub>	±300 ppmCO <sub>2</sub> /year
<b>Temperature dependence 0...10 000 ppmCO<sub>2</sub></b>	
with compensation, -10 ... +50 °C	±0.05% of reading/°C
with compensation, -40 ... +60 °C	<±0.1% of reading/°C
without temperature compensation at 2000 ppmCO <sub>2</sub> (typical)	-0.5% of reading/°C
<b>Pressure dependence</b>	
with compensation at 0 ... 10 000 ppmCO <sub>2</sub> , 500...1100 hPa	±0.015% of reading/hPa
without compensation (typical)	+0.15% of reading/hPa

Property	Specification
<b>Humidity dependence</b>	
with compensation, 0 ... 10 000 ppmCO <sub>2</sub> , 0 ... 100 %RH	±0.7% of reading (at 25 °C)
without compensation (typical)	+0.05 % of reading/%RH
<b>O<sub>2</sub> dependence</b>	
with compensation, 0 ... 10 000 ppm%CO <sub>2</sub> , 0 ... 90 %O <sub>2</sub>	±0.6 % of reading (at 25 °C)
without compensation (typical)	-0.08 % of reading/%O <sub>2</sub>
<b>Start-up, warm-up and response time</b>	
Start-up time at 25 °C	< 12 s
Warm-up time for full spec.	< 2 min
Response time (T90) with standard filter	< 1 min

Table 47 Operating Environment

Property	Specification
Operating temperature of CO <sub>2</sub> measurement	-40 ... +60 °C
Storage temperature	-40 ... +70 °C
Humidity	0...100 %RH, non-condensing
Condensation prevention	Sensor head heating when power on
Electromagnetic compatibility	EN61326-1, Generic Environment
Chemical tolerance (temporary exposure during cleaning)	<ul style="list-style-type: none"> <li>• H<sub>2</sub>O<sub>2</sub> (2000 ppm, non-condensing)</li> <li>• Alcohol-based cleaning agents (for example ethanol and IPA)</li> <li>• Acetone</li> <li>• Acetic acid</li> </ul>
<b>Pressure</b>	
Compensated	500 ... 1100 hPa
Operating	< 1.5 bar

Table 48 Inputs and Outputs

Property	Specification
Digital output	Over RS-485: <ul style="list-style-type: none"> <li>• Modbus</li> <li>• Vaisala Industrial Protocol</li> </ul>
Analog outputs	<ul style="list-style-type: none"> <li>• 0 ... 5/10 V (scalable), min load 10 k<math>\Omega</math></li> <li>• 0/4 ... 20 mA (scalable), max load 500 <math>\Omega</math></li> </ul>
<b>Operating voltage</b>	
With digital output in use	12 ... 30 VDC
With voltage output in use	12 ... 30 VDC
With current output in use	20 ... 30 VDC
<b>Power consumption</b>	
Typical (continuous operation)	0.4 W
Maximum	0.5 W

Table 49 Mechanics

Property	Specification
Weight, probe	58 g
Connector type	M12 5-pin male
Housing classification, probe body	IP65
<b>Materials</b>	
Probe housing material	PBT plastic
Filter	PTFE
Connector	Nickel plated brass
<b>Dimensions</b>	
Probe diameter	25 mm
Probe length	130 mm

## 9.2. Spare Parts and Accessories



Information on spare parts, accessories, and calibration products is available online at [www.vaisala.com](http://www.vaisala.com) and [store.vaisala.com](http://store.vaisala.com).

Name	Order Code
Porous sintered PTFE filter for GMP252	DRW244221SP
Probe cable with open wires (1.5 m)	223263SP
Probe cable with open wires and 90° plug (0.6 m)	244669SP
Probe cable with open wires (10 m)	216546SP
USB cable for PC connection	242659
MI70 connection cable for probe	CBL210472
Flat cable for GMP250 probes, M12 5-pin	CBL210493SP
Probe mounting clips (2 pcs)	243257SP
Probe mounting flange	243261SP
Calibration adapter	DRW244827SP

## 9.3. GMP252 Probe Dimensions

The dimensions are given in millimeters (mm).

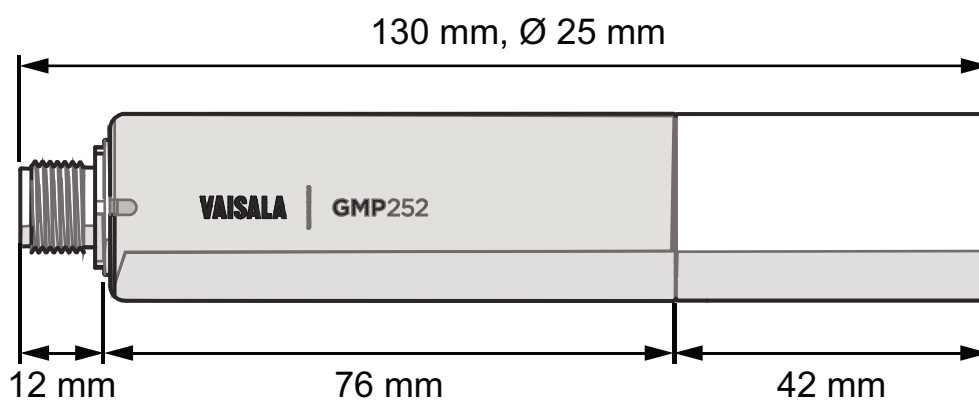


Figure 15 GMP252 Dimensions



## 9.4. 243261SP Mounting Flange Dimensions

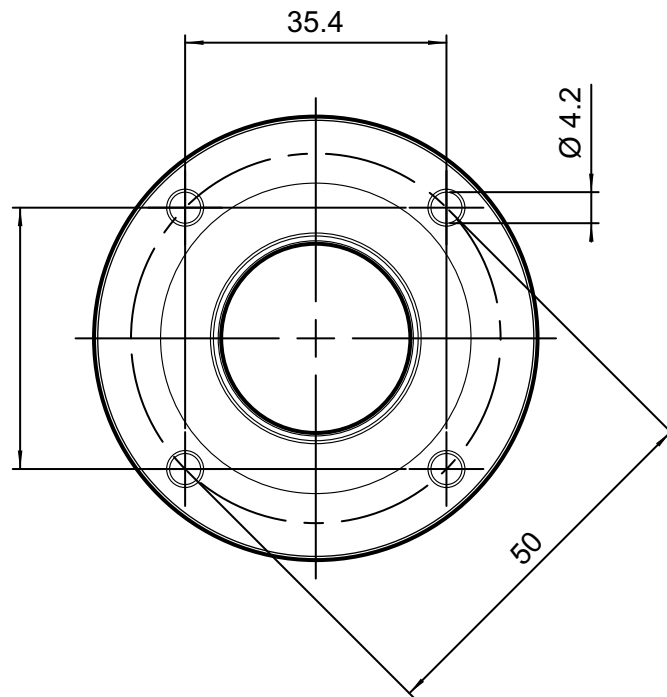


Figure 16 243261SP Mounting Flange Dimensions

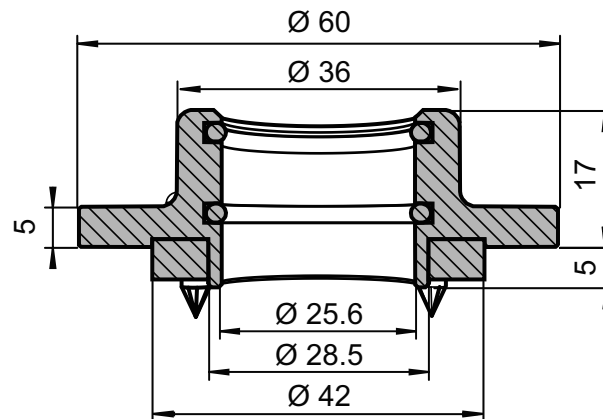


Figure 17 243261SP Mounting Flange Dimensions, Cross Section

## 9.5. 243261SP Calibration Adapter Dimensions

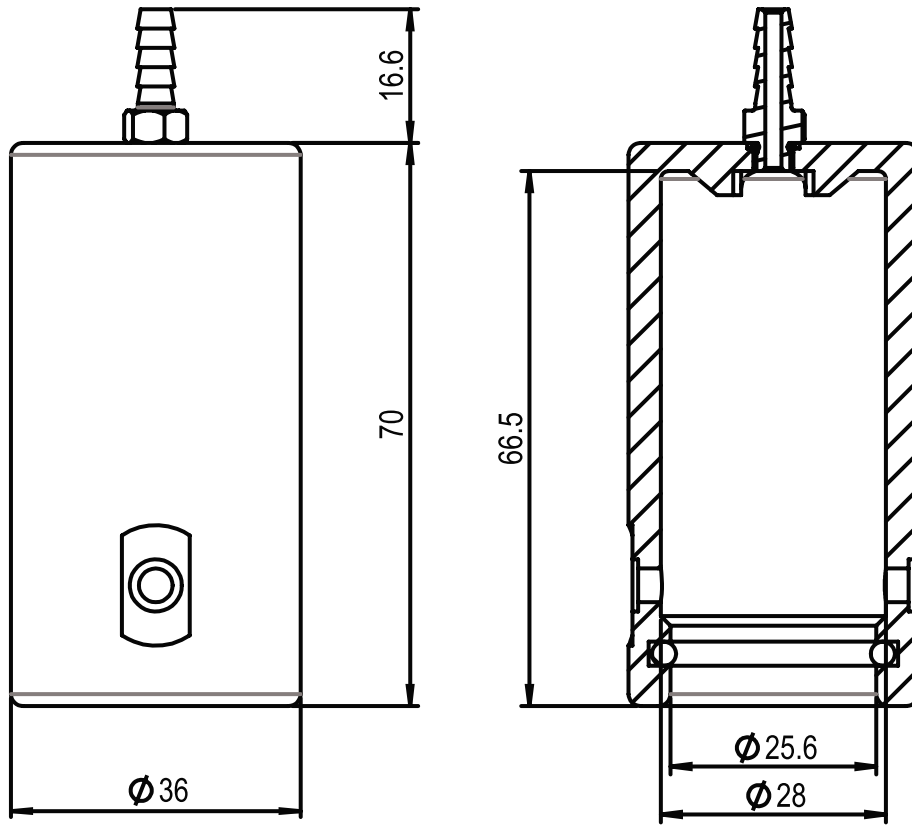


Figure 18 243261SP Calibration Adapter Dimensions

# Appendix A. Modbus Reference

## A.1. Function Codes

Table 50 Supported Function Codes

Function Code (Decimal)	Function Code (Hexadecimal)	Name
03	03	Read Holding Registers
16	10	Write Multiple Registers
43 14	2B 0E	Read Device Identification

## A.2. Modbus Registers



**CAUTION!** The decimal numbering of register addresses used in this manual is 1-based (the register addresses start from 1). Note that the register addresses in actual Modbus messages (Modbus Protocol Data Unit (PDU)) start from zero. Subtract 1 from the decimal addresses presented in this manual to get the address used in the Modbus message (for example, the decimal register address 1 (Measured CO<sub>2</sub> value) becomes register address 0 in the actual Modbus message).

Accessing unavailable (temporarily missing) measurement data does not generate an exception. “Unavailable” value (a quiet NaN for floating point data or 0x0000 for integer data) is returned instead. An exception is generated only for any access outside the applicable register ranges.

### A.2.1. Measurement Data

Table 51 Modbus Measurement Data Registers (Read-Only)

Address (Decimal)	Address (Hexadecimal)	Register Description	Data Format	Unit
1	00 00	Measured CO <sub>2</sub> value	32-bit float	ppm
3	00 02	Compensation T	32-bit float	°C

Address (Decimal)	Address (Hexadecimal)	Register Description	Data Format	Unit
5	00 04	Measured T	32-bit float	°C
257	01 00	Measured CO <sub>2</sub> value	16-bit signed integer	ppm (up to 32 000 ppm)
258	01 01	Measured CO <sub>2</sub> value	16-bit signed integer	ppm <sup>1)</sup> (scaled, up to approx. 320 000 ppm)

1) The ppm output of the second Measured CO<sub>2</sub> value register (address 258) is scaled and must be multiplied by 10.

## A.2.2. Configuration Registers



**CAUTION!** Default power-up values (registers 513-519) are written into non-volatile EEPROM memory. The EEPROM memory implementation has a limit of 30000 writes, and is intended to be used only when saving long-term or permanent configurations. Use the volatile memory (registers 521-527, values cleared on power-up) for non-permanent configurations (for example, if the probe is used in a system that regularly updates the compensation values).

Table 52 Modbus Configuration Data Registers (Writable)

Address (Decimal)	Address (Hexadecimal)	Register Description	Data Format	Unit / Valid Range
513	02 00	Power-up value for pressure compensation	32-bit float	hPa 700 ... 1500 hPa Operating <1.5 bar (Init/default: 1013.25)
515	02 02	Power-up value for temperature compensation	32-bit float	°C -40 ... +80 (Init/default: 25)
517	02 04	Power-up value for humidity compensation	32-bit float	%RH 0 ... 100 % (Init/default: 0)
519	02 06	Power-up value for oxygen compensation	32-bit float	%O <sub>2</sub> 0 ... 100 % (Init/default: 0)
521	02 08	Volatile (value cleared at probe reset) pressure compensation	32-bit float	Range 700...1500 hPa (Init copied from power-up value)

Address (Decimal)	Address (Hexadecimal)	Register Description	Data Format	Unit / Valid Range
523	02 0A	Volatile (value cleared at probe reset) temperature compensation	32-bit float	Range -40...+80 °C (Init copied from power-up value)
525	02 0C	Volatile (value cleared at probe reset) humidity compensation	32-bit float	Range 0...100 %RH (Init copied from power-up value)
527	02 0E	Volatile (value cleared at probe reset) oxygen compensation	32-bit float	Range 0...100 %O <sub>2</sub> (Init copied from power-up value)
769	03 00	Modbus address	16-bit integer	Valid range 1...247 (default: 240)
770	03 01	Serial speed	enum	Valid range 4800...115200 0 = 4800 1 = 9600 2 = 19200 3 = 38400 4 = 57600 5 = 115200 (default: 2 (19200))
771	03 02	Serial parity	enum	0 = None 1 = Even 2 = Odd (default: 0 (None))
772	03 03	Serial stop bits	16-bit integer	Valid range 1...2 (default: 2)
773	03 04	Pressure compensation mode	enum	0 = Off 1 = On (default: 1 (On))
774	03 05	Temperature compensation mode	enum	0 = Off 1 = Given 2 = Measured (default: 2 (Measured))
775	03 06	Humidity compensation mode	enum	0 = Off 1 = On (default: 0 (Off))
776	03 07	Oxygen compensation mode	enum	0 = Off 1 = On (default: 0 (Off))

Address (Decimal)	Address (Hexadecimal)	Register Description	Data Format	Unit / Valid Range
777	03 08	CO <sub>2</sub> filtering factor	16-bit integer	Valid range 0 ... 100 (default: 100 (no filtering)). For information on setting the filtering factor, see <a href="#">A.4. Filtering Factor (page 88)</a> .



To apply an accurate relative humidity compensation (775), you must also enable temperature compensation (774) and pressure compensation (773).

### A.2.3. Status Registers

Table 53 Modbus Status Registers (Read-Only)

Address (Decimal)	Address (Hexadecimal)	Register Description	Data Format	Notes
2049	08 00	Device status	16-bit	0 = Status OK. 2 = Critical error, maintenance needed. 4 = Error, device may recover automatically. 8 = Warning.
2050	08 01	CO <sub>2</sub> status	16-bit	0 = Status OK. 2 = CO <sub>2</sub> reading not reliable. This status also appears during transmitter start-up.



Multiple device statuses can be present simultaneously. In those cases, the value of the device status register is the sum of the applicable numbers, for example 12 if a warning (8) and an error (4) are present simultaneously.

### A.2.4. Device Identification Objects

Table 54 Device Identification Objects

Object ID (Decimal)	Object ID (Hexadecimal)	Object Name	Example Contents
0	00	VendorName	"Vaisala"

Object ID (Decimal)	Object ID (Hexadecimal)	Object Name	Example Contents
1	01	ProductCode	"GMP25x Carbon Dioxide Probe "
2	02	MajorMinorVersion	Software version (for example "1.2.3")
3	03	VendorUrl	"http://www.vaisala.com/"
4	04	ProductName	"GMP25X "
128	80	SerialNumber <sup>1)</sup>	Transmitter serial number (for example, "K0710040")
129	81	Calibration date <sup>1)</sup>	Date of the factory calibration
130	82	Calibration text <sup>1)</sup>	Information text of the factory calibration

1) *Vaisala-specific device information object*

# A.3. Modbus Communication Examples

## Reading CO<sub>2</sub> Value




Device address used in the following examples is 240 (F0h).  
 The values returned by the device differ depending on the ambient conditions and/or device settings. Your device might not return exactly same values.

Request		Response	
Bytes on the Line (Hexadecimal)	Description	Bytes on the Line (Hexadecimal)	Description
(silence for 3.5 bytes)	Start of Modbus RTU frame	(silence for 3.5 bytes)	Start of Modbus RTU frame
F0	GMP25x address	F0	GMP25x address
03	Function (Read Holding Registers)	03	Function (Read Holding Registers)
00	Register address	04	Number of data bytes
00		D4	Value of first register (least significant word)
00	Number of 16-bit registers to read (2)	7A	
02		43	Value of second register (most significant word)
D1	Modbus RTU checksum	E8	
2A		33	Modbus RTU checksum
(silence for 3.5 bytes)	End of Modbus RTU frame	AB	
		(silence for 3.5 bytes)	End of Modbus RTU frame

Communication Description	
Register address	1 (1-based Modbus documentation format) = 0000h (0-based format used in actual communication).
Data format	Two 16-bit Modbus registers interpreted as IEEE 754 binary32 floating point value, least significant word first.
Returned value	43E8D47Ah, which is binary32 representation of 465.65997 (ppm).



## Writing Volatile Compensation Pressure Value

Request		Response	
Bytes on the Line (Hexadecimal)	Description	Bytes on the Line (Hexadecimal)	Description
(silence for 3.5 bytes)	Start of Modbus RTU frame	(silence for 3.5 bytes)	Start of Modbus RTU frame
F0	GMP25x address	F0	GMP25x address
10	Function (Write Multiple Registers)	10	Function (Write Multiple Registers)
02	Register address	02	Register address
08		08	
00	Number of registers to write (2)	00	Number of 16-bit registers written (2)
02		02	
04	Number of data bytes	D4	Modbus RTU checksum
50	Value for the first register (least significant word)	93	
00		(silence for 3.5 bytes)	End of Modbus RTU frame
44	Value for the second register (most significant word)	 <p>The response to a write function informs that the function was correctly received by the device. It does not guarantee that the written value was accepted by the device (for example, in case out-of-range values). To verify that the value was really accepted by the device, read the register value after writing.</p>	
7D			
0E	Modbus RTU checksum		
B7			
(silence for 3.5 bytes)	End of Modbus RTU frame		

### Communication Description

Register address

521 (1-based Modbus documentation format) = 0208h (0-based format used in actual communication).

Communication Description	
Data format	Two 16-bit Modbus registers interpreted as IEEE 754 binary32 floating point value, least significant word first.
Value to write	1013.25 (hPa), in binary32 format 447D5000h.

## A.4. Filtering Factor

Modbus register 777 sets the CO<sub>2</sub> filtering factor. The filtering factor affects the speed at which the latest CO<sub>2</sub> measurement is integrated into the output of the probe. A new measurement is produced approximately every two seconds.

By default, the filtering factor is set to 1.0, which means the latest measurement is shown directly in the output, without any filtering. If the measuring environment produces occasional exceptionally high or low readings that need to be averaged out in the output, filtering can be applied.

To apply filtering, you need to set a filtering factor that determines how much the previous measurements affect the calculation of measurement output. For example, when using filtering factor of 0.1, the new output is a combination of previous measurements (90%) and the latest measurement (10%).

Examples of the effect of filtering on output:

- Filtering factor 1.0 = No filtering, the latest measurement is output directly without integrating previous measurements.
- Filtering factor 0.5 = The reading output shows ~75% of the measurement change after two two-second measurement cycles and ~93% after four cycles.
- Filtering factor 0.1 = The reading output shows ~90% of the measurement change after 22 measurement cycles.

The configuration range of the filtering factor is 0 ... 100 in the 16-bit register: for example, to set the factor to 0.5, set the value of the register to 50.

The following formula is used when calculating the output:

$$o_{\text{new}} = o_{\text{old}}(m_{\text{new}} - o_{\text{old}}) \times f$$

- $o_{\text{new}}$  New output
- $o_{\text{old}}$  Previous output
- $m_{\text{new}}$  New measurement
- $f$  Filtering factor

# Technical Support



Contact Vaisala technical support at [helpdesk@vaisala.com](mailto:helpdesk@vaisala.com). Provide at least the following supporting information:

- Product name, model, and serial number
- Name and location of the installation site
- Name and contact information of a technical person who can provide further information on the problem

For Vaisala Service Center contact information, see [www.vaisala.com/servicecenters](http://www.vaisala.com/servicecenters).

# Warranty

For standard warranty terms and conditions, see [www.vaisala.com/warranty](http://www.vaisala.com/warranty).

Please observe that any such warranty may not be valid in case of damage due to normal wear and tear, exceptional operating conditions, negligent handling or installation, or unauthorized modifications. Please see the applicable supply contract or Conditions of Sale for details of the warranty for each product.

# Recycling



Recycle all applicable material.



Follow the statutory regulations for disposing of the product and packaging.





# VAISALA

[www.vaisala.com](http://www.vaisala.com)

