

Compact Datalogger GL100 & Industry-specific software

# MONITOR Current & Power

Current

Power

Electric energy

Streamlined Operation

Monitor Remotely

Easy Installation

Monitor or Analyze Facility Conditions



**Power measurement with GL100**

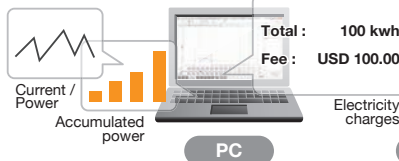
Easy to monitor current and power value.

Power system	Main body	Adapter	Current sensor
Single phase	1	1	1
Three phase	1	1	2

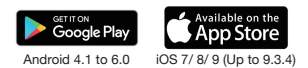
**Easy measurement with PC or Smart device**

What is the amount of electricity?

What is the charge?



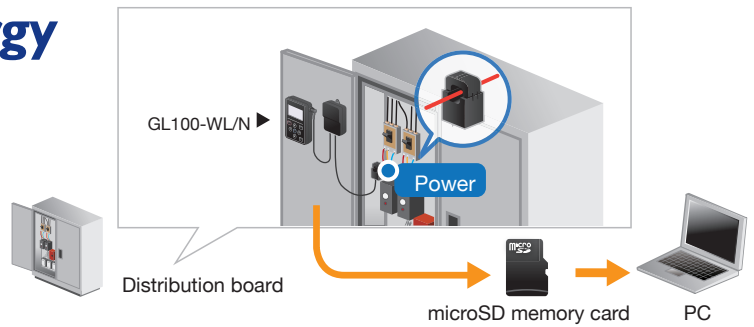
**GL-Connect for Smart device**



# Monitoring of electric energy in the distribution board

Easy to install,  
collect recorded data with microSD\*

\*microSD memory card is not included



## Compact Datalogger GL100



Just plug in  
the sensor



GL100-WL (with Wireless LAN) \*  
GL100-N (Without Wireless LAN)

\* Available in limited region including USA, Europe and some other countries pursuant to local Wireless Telegraphy Act. Please contact your local representative of Graphtec for more information.

### Adapter for current sensor

GS-DPA-AC



### AC current sensor (CT)

GS-AC50A



50A

GS-AC100A



100A

GS-AC200A



200A

## Easy remote monitoring anywhere with Smart device or PC

Router supporting DDNS (Dynamic Domain Name Server) Supported GL100-WL



### Data capturing time (Condition: measuring AC current & power using GS-DPA-AC, 1 minute sampling interval)

Item	Data capturing time
Built-in memory (approx. 4.9 MB)	Approx. 178 days
microSD memory card	Over 2 years

\* microSD memory card is not included. (One data file on microSD memory card is limited up to approx 1.9 GB.)

\* When GL100 is driven with AA alkaline batteries, battery life is approximately 6 days. (Condition: measuring with AC current sensor, 1 minute sampling interval, saving data into built-in memory, enabling screensaver)

Specifications of GL100	
Item	Description
Interface to PC	USB USB 2.0 (Micro B connector) WLAN *1 Standards: IEEE 802.11b Communication distance: approx. 40 m (varies by condition)
Display	LCD (backlit monochrome, graphical type)
Functions	Using USB Display and output captured data in real-time, Output the saved data, Control the GL100 from the PC application software Using WLAN Display and output captured data in real-time, Output the saved data, Control the GL100 from the PC or Smart device application software, Send warnings via the e-mail
Output signal	Alarm (1 channel), Warning message (it is sent via the e-mail) *1
Power source	Battery (Alkaline battery, AA x 2), USB bus-power (5V, 200 mA minimum) *2
Operating environment	Temperature: -10 °C to 50 °C, Humidity: up to 80 % RH (non condensed) IP classification: IP54 *3
External dimensions	[W x D x H] Approx. 66 x 100 x 27 mm (exclude protrusion)
Weight	GL100-N: Approx. 125 g, GL100-WL: Approx. 130 g
Sampling interval	0.5 sec. to 60 min.

\*1: WLAN and mail function are available with the GL100-WL.

\*2: Including USB cable as standard accessory. Batteries and AC adapter for USB bus-power are not included. (recommended to use an AC adapter with rated output of 5 V 1 A or more.)

\*3: When the main unit and the sensor module are connected and the connector cover and battery cover are closed, it corresponds to IP54. AC current sensor adapter and AC current sensor are not supported with IP54.

Software (GL100-APS for PC, GL-Connect for Smart device) *4	
Item	Description
Supported OS	PC Windows10 / 8.1 / 8 / 7 / Vista (32- or 64-bit) Smart device Android : 4.1 to 6.0 (Download from Google Play) iOS : iOS 7 / 8 / 9 (Up to 9.3.4) (Download from App Store)

\*4: Firmware ver.1.12 or later is required in the GL100.



- Due to the possibility of equipment or PC failure, the data files of an instrument are not guaranteed to be stored in the memory. Please make a backup of data whenever possible to avoid data loss.
- Brand names and product names listed in this brochure are the trademarks or registered trademarks of their respective owners.
- Items mentioned are subject to change without notice. For more information about product, please check the web site or contact your local representative.

**⚠ For using equipment in correctly and safely**

- User must read and refer to the user manual for instructions. Use only in accordance with user manual.
- To avoid malfunction or an electric shock by current leakage or voltage, please ensure a ground connection and use according to the specification.

**GRAPHTEC**  
Graphtec America, Inc.  
17462 Armstrong Avenue  
Irvine, CA 92614

WEBSITE: [www.graphtecamerica.com/instruments](http://www.graphtecamerica.com/instruments)



KE10224 GR Vol.1