

# ACCESSORIES

## PURCHASING GUIDE



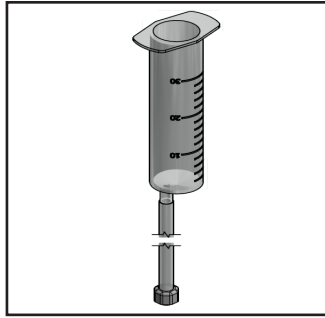
English

Deutsch

Français

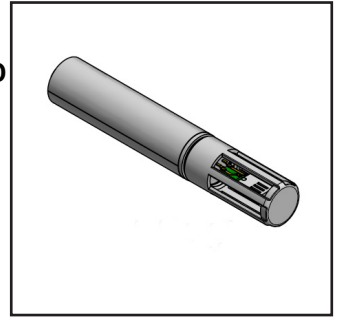
# GENERAL ACCESSORIES

ITEM TYPE | SYRINGE



P/N: 01-200-36-0006

ITEM TYPE | ROTRONIC  
PROBE  
UNCLIBRATED



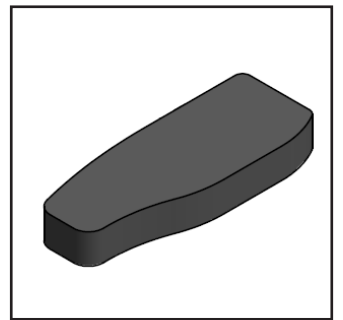
P/N: 01-200-36-0002

ITEM TYPE | AMPLIFIER  
CABLE



P/N: 01-200-36-0003

ITEM TYPE | ROTRONIC  
HANDHELD



P/N: 01-200-36-0010

ITEM TYPE | FUSE  
SIZE | 1 AMP



P/N: 01-200-85-0002

ITEM TYPE | FUSE  
SIZE | 4 AMP



P/N: 01-200-85-0001

ITEM TYPE | CABLE  
APPLICATION | PROBE



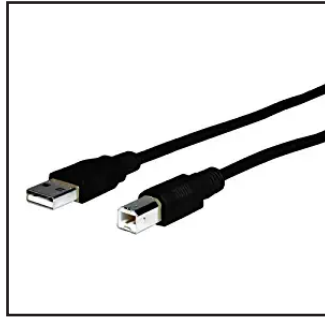
P/N: 01-200-36-0012

ITEM TYPE | CABLE  
APPLICATION | USB A



P/N: 01-200-69-0001

ITEM TYPE | CABLE  
APPLICATION | USB B



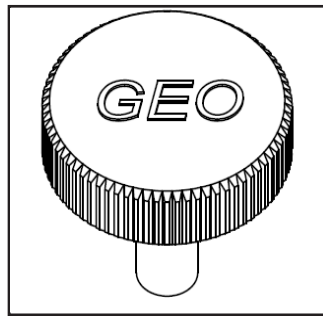
**P/N: 01-022-69-0001**

ITEM TYPE | CABLE



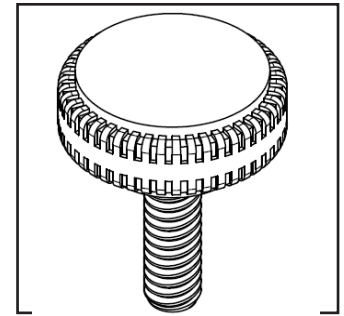
**P/N: 01-200-30-0001**

ITEM TYPE | KNOB  
SIZE | 0.750"  
APPLICABLE MODELS | 1000 SP,  
2000 SP,  
2000 SH,  
2015 TS,  
2000 SHR,  
4000



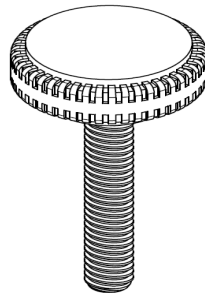
**P/N: 01-001-66-0001**

ITEM TYPE | SCREW  
SIZE | 0.750"  
APPLICABLE MODELS | 1000 SP,  
2000 SP,  
2000 SH,  
2015 TS,  
2000 SHR,  
4000



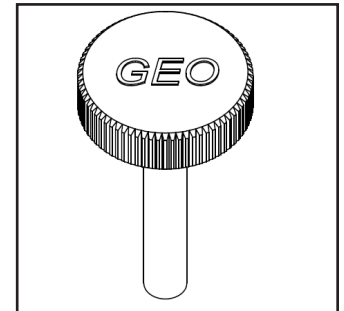
**P/N: 01-001-66-0002**

ITEM TYPE | SCREW  
SIZE | 1.500"  
APPLICABLE MODELS | 1000 SP,  
2000 SP,  
2000 SH,  
2015 TS,  
2000 SHR,  
4000



**P/N: 01-001-66-0003**

ITEM TYPE | KNOB  
SIZE | 1.500"  
APPLICABLE MODELS | 1000 SP,  
2000 SP,  
2000 SH,  
2015 TS,  
2000 SHR,  
4000



**P/N: 01-001-66-0004**

ITEM TYPE | CAP  
TYPE | NON-VENTED  
APPLICABLE MODELS | 1000 SP,  
2000 SP,  
2000 SH,  
2015 TS,  
2000 SHR,  
4000



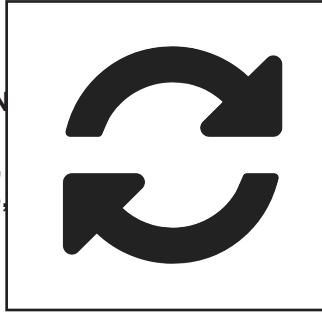
**P/N: 01-200-36-0005**

# GENERAL ACCESSORIES



ITEM TYPE | SERVICE  
TYPE | ISO 17025  
ACCREDITED  
RE-CALIBRATION

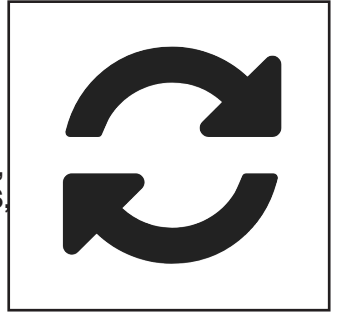
APPLICABLE | HYGRO-MINI,  
MODELS | 1000 SP, 2000 SP,  
2000 SH, 2015 TS,  
2000 SHR,  
4000 EXP



P/N: 01-999-99-0004

ITEM TYPE | SERVICE  
TYPE | ISO 17025  
ACCREDITED  
CALIBRATION

APPLICABLE | HYGRO-MINI,  
MODELS | 1000 SP, 2000 SP,  
2000 SH, 2015 TS,  
2000 SHR,  
4000 EXP



P/N: 01-999-99-0001

ITEM TYPE | WARRANTY  
TYPE | 3 YEAR EXT



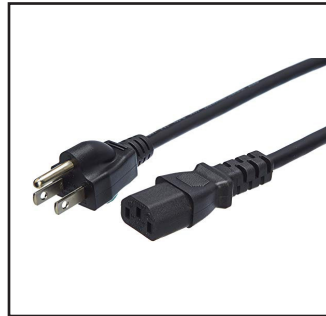
P/N: 01-999-99-0003

ITEM TYPE | WARRANTY  
TYPE | 2 YEAR EXT



P/N: 01-999-99-0002

ITEM TYPE | CABLE  
TYPE | AMERICAN



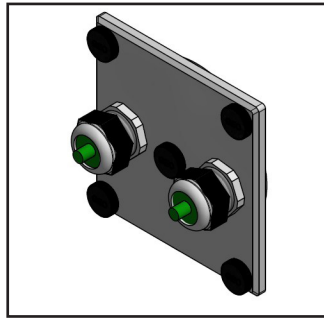
P/N: 01-200-46-0001

ITEM TYPE | CABLE  
TYPE | EUROPEAN



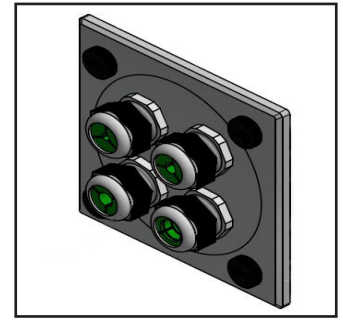
P/N: 01-200-46-0002

PORT TYPE | STANDARD  
 PORT QTY | 2  
 SHAPE | SQUARE  
 BUNGS | PG29



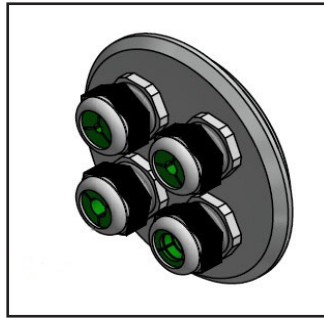
P/N: 01-001-00-0028

PORT TYPE | STANDARD  
 PORT QTY | 4  
 SHAPE | SQUARE  
 BUNGS | PG29  
 GASKET | PRESS



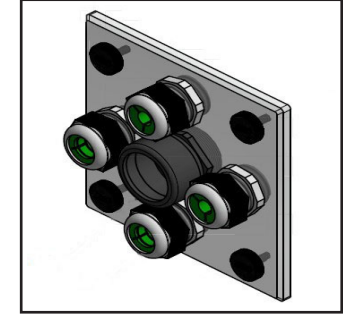
P/N: 01-001-00-0003

PORT TYPE | STANDARD  
 PORT QTY | 4  
 SHAPE | ROUND  
 BUNGS | PG29  
 GASKET | PRESS



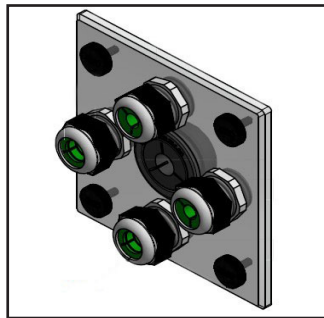
P/N: 01-001-00-0004

PORT TYPE | STANDARD  
 PORT QTY | 4  
 PORT TYPE | CHILLED MIRROR  
 PORT QTY | 1  
 SHAPE | SQUARE  
 BUNGS | PG29  
 BUNGS | PG36



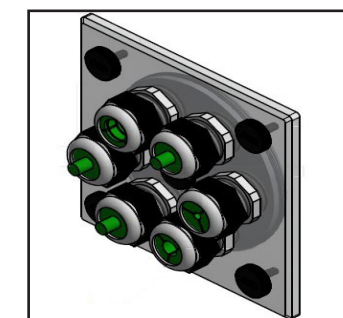
P/N: 01-001-00-0010

PORT TYPE | STANDARD  
 PORT QTY | 4  
 PORT TYPE | SLIMLINE  
 PORT QTY | 1  
 SHAPE | SQUARE  
 BUNGS | PG29, PG36  
 ADAPTERS | PG36



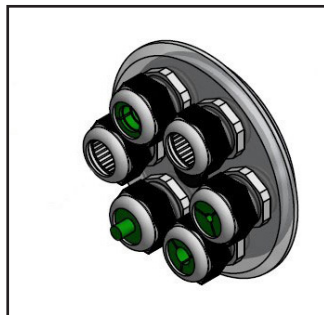
P/N: 01-001-00-0011

PORT TYPE | STANDARD  
 PORT QTY | 6  
 SHAPE | SQUARE  
 BUNGS | PG29  
 GASKET | PRESSURE



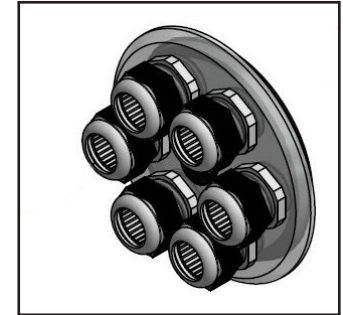
P/N: 01-001-00-0017

PORT TYPE | STANDARD  
 PORT QTY | 6  
 SHAPE | ROUND  
 BUNGS | PG29  
 GASKET | PRESSURE



P/N: 01-001-00-0018

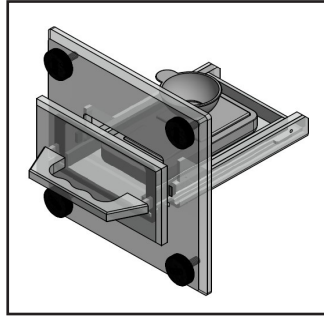
PORT TYPE | STANDARD  
 PORT QTY | 6  
 SHAPE | ROUND  
 TYPE | MAPPING  
 BUNGS | PG29



P/N: 01-001-00-0020

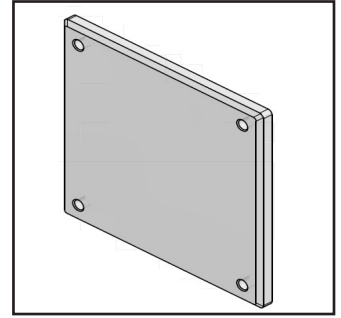
# 2000 SERIES DOORS

DOOR TYPE	SAMPLING
PORT QTY	1
SHAPE	SQUARE
BUNGS	NONE
SCALE	INCLUDED



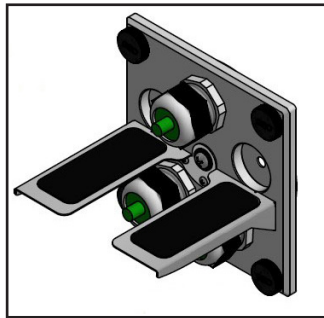
**P/N: 01-001-00-0026**

PORT TYPE	STANDARD
PORT QTY	0
SHAPE	SQUARE
BUNGS	NONE



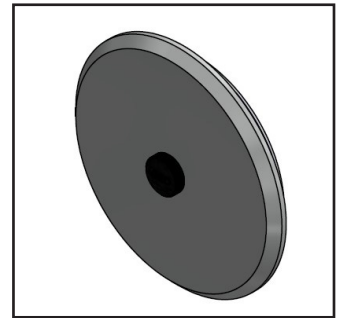
**P/N: 02-350-07-0005**

PORT TYPE	FLUKE 971
PORT QTY	2
PORT TYPE	STANDARD
PORT QTY	3
SHAPE	SQUARE
BUNGS	INCLUDED



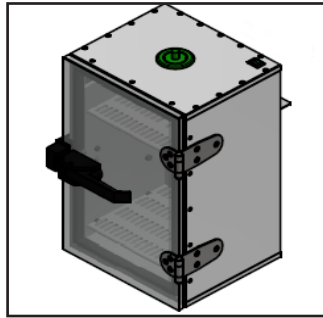
**P/N: 01-001-00-0029**

DOOR TYPE	COVER
PORT QTY	0
SHAPE	ROUND
BUNGS	NONE



**P/N: 01-001-00-0030**

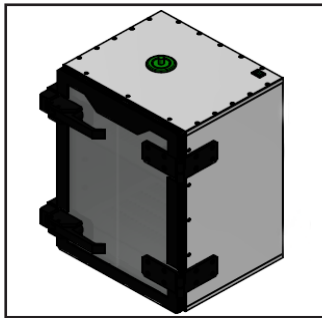
ITEM TYPE | EXPANSION  
CHAMBER  
SMALL  
TYPE  
APPLICABLE | 2000 SP  
MODELS



	EXTERNAL(IN)	INTERNAL(IN)
DEPTH	7.91	6.69
WIDTH	9.00	7.11
HEIGHT	14.00	12.11

**P/N: 01-050-00-0000**

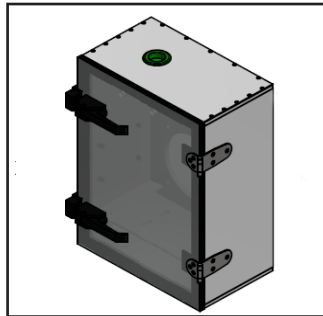
ITEM TYPE | EXPANSION  
CHAMBER  
MEDIUM  
TYPE  
APPLICABLE | 2000 SP  
MODELS



	EXTERNAL(IN)	INTERNAL(IN)
DEPTH	7.91	6.69
WIDTH	11.00	8.98
HEIGHT	16.00	13.98

**P/N: 01-051-00-0000**

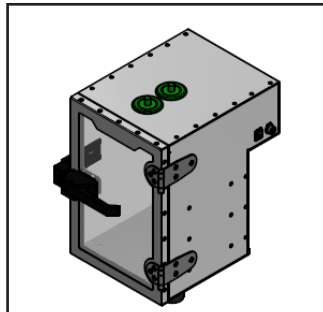
ITEM TYPE | EXPANSION  
CHAMBER  
LARGE  
TYPE  
APPLICABLE | 2000 SP  
MODELS



	EXTERNAL(IN)	INTERNAL(IN)
DEPTH	7.91	6.69
WIDTH	13.00	11.00
HEIGHT	18.00	14.75

**P/N: 01-052-00-0000**

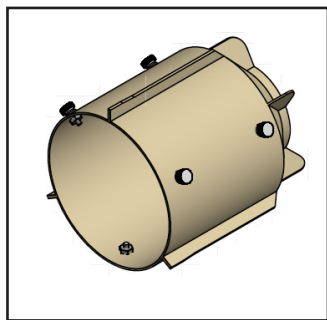
ITEM TYPE | EXPANSION  
CHAMBER  
STANDARD  
TYPE  
APPLICABLE | 2000 SP  
MODELS



	EXTERNAL(IN)	INTERNAL(IN)
DEPTH	11.28	6.65
WIDTH	8.67	7.67
HEIGHT	13.58	11.60

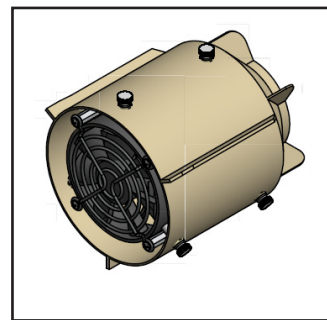
**P/N: 01-054-00-0000**

ITEM TYPE | INSERT  
 TYPE | STANDARD  
 APPLICABLE | 2000 SP,  
 MODELS | 2000 SH,  
 | 2015 TS,  
 | 2000 SHR



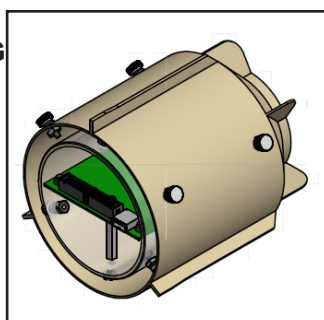
P/N: 01-200-08-0025

ITEM TYPE | INSERT  
 TYPE | WITH FAN  
 APPLICABLE | 2000 SP,  
 MODELS | 2000 SH,  
 | 2015 TS,  
 | 2000 SHR



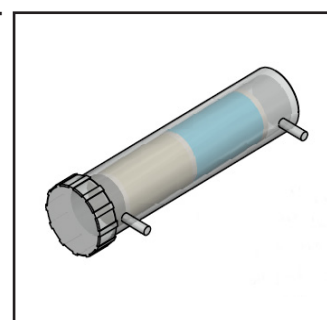
P/N: 01-200-08-0026

ITEM TYPE | INSERT  
 TYPE | CALIBRATING  
 APPLICABLE | 2000 SP,  
 MODELS | 2000 SH,  
 | 2015 TS,  
 | 2000 SHR



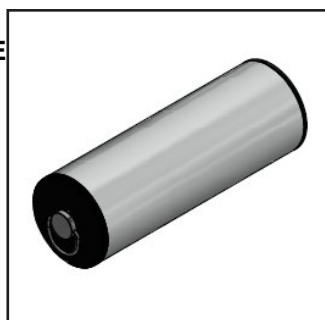
P/N: 01-200-08-0027

ITEM TYPE | DESICCANT  
 TYPE | STANDARD  
 APPLICABLE | 1000 SP  
 MODELS | 2000 SP,  
 | 2000 SH,  
 | 2015 TS



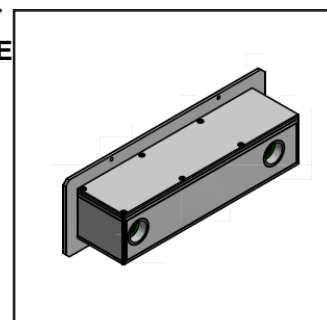
P/N: 01-200-11-0001

ITEM TYPE | DESICCANT  
 TYPE | REFILLABLE  
 APPLICABLE | 2000 SHR  
 MODELS



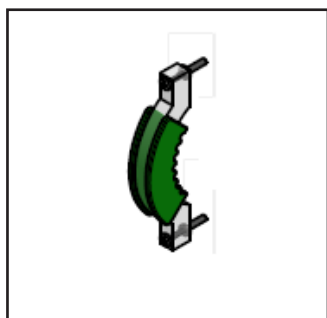
P/N: 01-201-11-0001

ITEM TYPE | DESICCANT  
 TYPE | REFILLABLE  
 APPLICABLE | 2000 SP  
 MODELS



P/N: 01-200-11-0002

ITEM TYPE | DESSICANT  
 TYPE | CLAMP  
 APPLICABLE | 2000 SP,  
 MODELS | 2015 TS



P/N: 01-200-01-0013

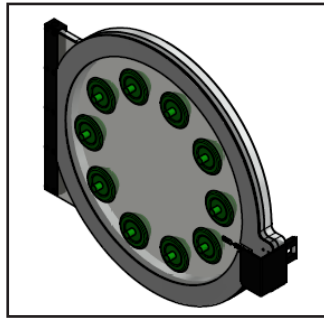
ITEM TYPE | WRENCH  
 APPLICABLE | 1000 SP,  
 MODELS | 2000 SP,  
 | 2000 SH,  
 | 2015 TS



P/N: 01-200-36-0011

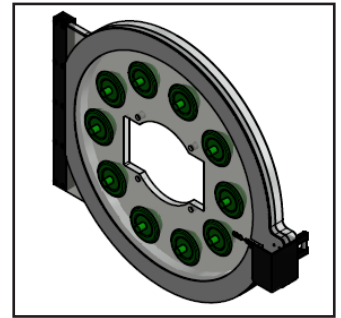


PORT TYPE | SLIMLINE  
PORT QTY | 10  
BUNGS | PG29, PG36  
ADAPTERS | PG36



**P/N: 01-400-01-0019**

PORT TYPE | SLIMLINE  
PORT QTY | 10  
BUNGS | PG29, PG36  
ADAPTERS | PG36

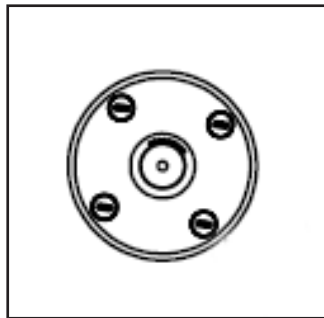


**ASSEMBLY INCLUDES:**

P/N: 01-400-01-0031

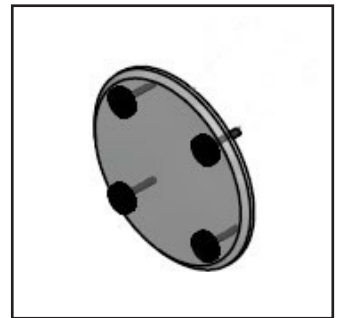
**P/N: 01-400-01-0020**

PORT TYPE | SLIMLINE  
PORT QTY | 1  
SHAPE | ROUND  
BUNGS | PG29, PG36  
ADAPTERS | PG36



**P/N: 01-400-01-0031**

DOOR TYPE | COVER  
PORT QTY | 0  
SHAPE | ROUND



**P/N: 01-400-01-0022**

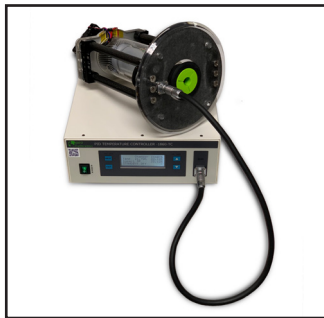
**ASSEMBLY INCLUDES:**

P/N: 01-012-00-0000  
P/N: 01-400-01-0021  
P/N: 01-011-30-0001  
P/N: 01-400-01-0022

**ASSEMBLY REQUIRES:**

P/N: 01-400-01-0020

**P/N: 01-400-01-0015**



PORT TYPE | SLIMLINE  
PORT QTY | 1  
SHAPE | ROUND  
BUNGS | PG29, PG36  
ADAPTERS | PG36



**P/N: 01-400-01-0021**

ITEM TYPE | CONTROLLER



**P/N: 01-012-00-0000**

ITEM TYPE | CABLE



**P/N: 01-011-30-0001**

# 4000 SERIES ACCESSORIES



ITEM TYPE  
APPLICABLE  
MODELS

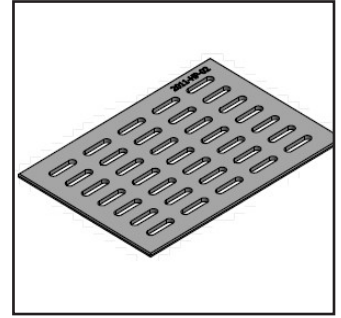
INSERT  
4000



P/N: 01-400-01-0023

ITEM TYPE  
APPLICABLE  
MODELS

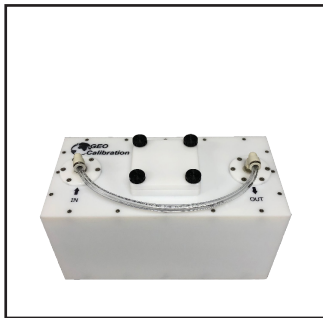
SHELF  
4000



P/N: 001-400-07-0025

ITEM TYPE  
LOCATION  
APPLICABLE  
MODELS

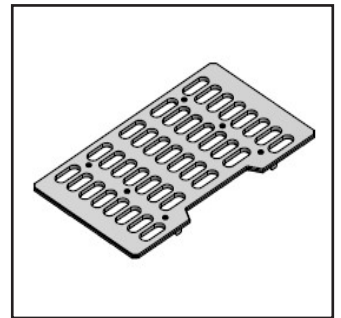
DESICCANT  
EXTERNAL  
4000  
4000 EXP



P/N: 01-450-01-0034

ITEM TYPE  
APPLICABLE  
MODELS

SHELF  
4000 EXP

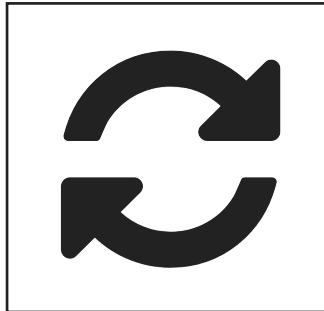


P/N: 01-450-01-0023

ITEM TYPE  
TYPE

APPLICABLE  
MODELS

SERVICE  
ISO 17025  
ACCREDITED  
CALIBRATION  
4000

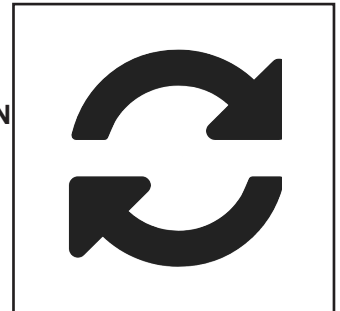


P/N: 01-999-99-0005

ITEM TYPE  
TYPE

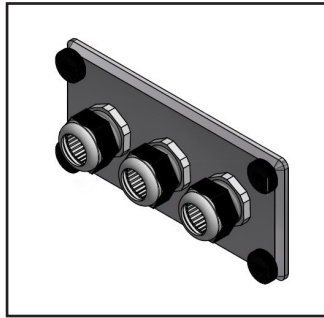
APPLICABLE  
MODELS

SERVICE  
ISO 17025  
ACCREDITED  
RE-CALIBRATION  
4000



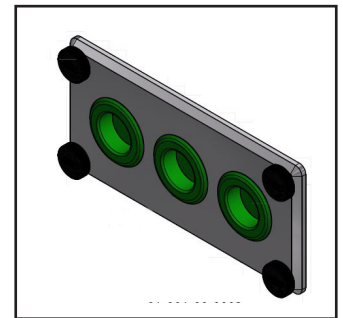
P/N: 01-999-99-0006

PORT TYPE | STANDARD  
 PORT QTY | 3  
 SHAPE | SQUARE  
 BUNGS | PG29



P/N: 01-001-00-0001

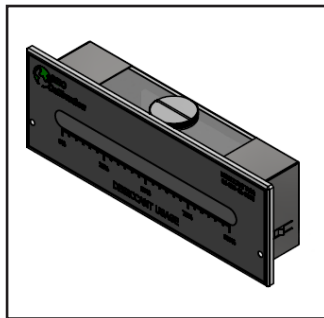
PORT TYPE | SLIMLINE  
 PORT QTY | 3  
 SHAPE | SQUARE  
 BUNGS | PG29, PG36  
 ADAPTERS | PG29



P/N: 01-001-00-0002

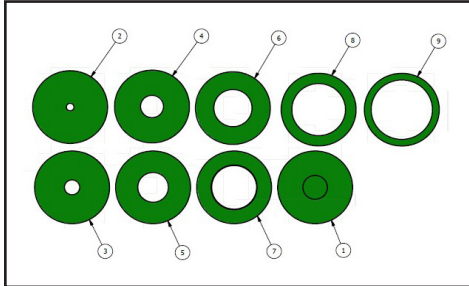
**HYGROMINI**  
ACCESSORIES

ITEM TYPE | DESICCANT  
 APPLICABLE | HYGROMINI  
 MODELS



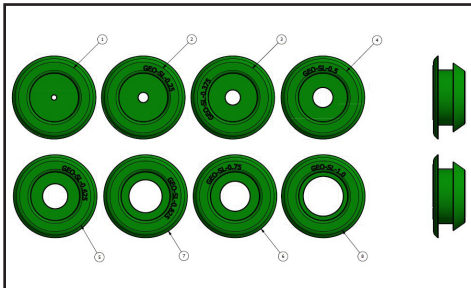
P/N: 01-020-11-0003

## PG 29



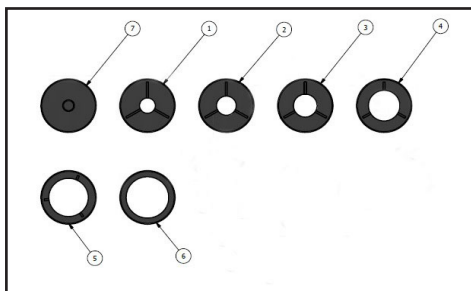
ITEM	TYPE	BUNG SIZE		PORT SIZE	
		mm	in	mm	in
01-004-09-0001	Regular PG 29	31.00	1.22"	0.000	0.000
01-004-09-0002	Regular PG 29			3.175	0.125"
01-004-09-0003	Regular PG 29			6.350	0.250"
01-004-09-0004	Regular PG 29			9.525	0.375"
01-004-09-0005	Regular PG 29			12.700	0.500"
01-004-09-0006	Regular PG 29			15.875	0.625"
01-004-09-0007	Regular PG 29			19.050	0.750"
01-004-09-0008	Regular PG 29			22.225	0.875"
01-004-09-0009	Regular PG 29			25.400	1.000"

## PG 29



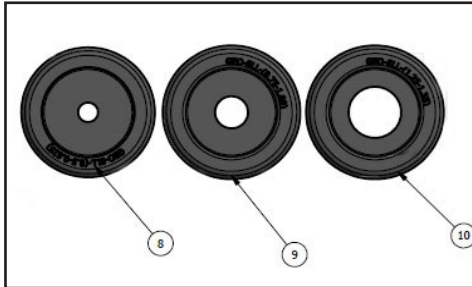
ITEM	TYPE	BUNG SIZE		PORT SIZE	
		mm	in	mm	in
01-004-09-0020	Slimline PG 29	31.00	1.22"	3.175	0.125"
01-004-09-0021	Slimline PG 29			6.350	0.250"
01-004-09-0022	Slimline PG 29			9.525	0.375"
01-004-09-0023	Slimline PG 29			12.700	0.500"
01-004-09-0024	Slimline PG 29			15.875	0.625"
01-004-09-0025	Slimline PG 29			19.050	0.750"
01-004-09-0026	Slimline PG 29			22.225	0.875"
01-004-09-0027	Slimline PG 29			25.400	1.000"

## PG 36



ITEM	TYPE	BUNG SIZE		PORT SIZE	
		mm	in	mm	in
01-004-09-0034	Regular PG 36	44.45	1.75"	3.175	0.125"
01-004-09-0028	Regular PG 36			6.350	0.250"
01-004-09-0029	Regular PG 36			9.525	0.375"
01-004-09-0030	Regular PG 36			12.700	0.500"
01-004-09-0031	Regular PG 36			15.875	0.625"
01-004-09-0032	Regular PG 36			19.050	0.750"
01-004-09-0033	Regular PG 36			22.225	0.875"

# PG 36



ITEM	TYPE	BUNG SIZE		PORT SIZE	
		mm	in	mm	in
01-004-09-0035	Slimline PG 36	44.45	1.75"	9.525	0.375"
01-004-09-0036	Slimline PG 36			15.875	0.625"
01-004-09-0037	Slimline PG 36			25.400	1.00"

# PROBE PORT STOP



ITEM	PORT SIZE	
	mm	in
01-004-09-0039	13.335	0.525"
01-004-09-0040	13.970	0.550"
01-004-09-0041	14.605	0.575"
01-004-09-0042	15.240	0.600"
01-004-09-0043	15.875	0.625"
01-004-09-0044	16.510	0.650"
01-004-09-0045	17.145	0.675"
01-004-09-0046	17.780	0.700"
01-004-09-0047	18.415	0.725"
01-004-09-0048	19.050	0.750"