

# GE Sensing

## Features

- Loop-powered, 4 to 20 mA transmitter
- Proven polymer capacitive sensor for fast response and calibration stability
- Integral filtering and flow regulation
- Trouble-free indoor or outdoor mounting
- Microcontroller electronics in Type 4X/IP67 enclosure

## Options

- Integral display with user interface
- English or metric fittings
- External display available with loop-powered supply and alarm contacts
- Power supply
- Wall mount kit

The DewPro MMR30 is a compact, mid-range moisture transmitter designed specifically for refrigeration dryer manufacturers and users. The DewPro MMR30 measures dew point at line pressure or atmospheric pressure and installs easily on a dryer outlet header.

The DewPro MMR30 uses a proven polymer capacitive sensor to provide a measurement range of 5°F to 185°F (-15°C to 85°C) with  $\pm 1.8^\circ\text{F}$  ( $\pm 1.0^\circ\text{C}$ ) accuracy. The optional integrated display with user interface provides full programming and diagnostic capability.

# DewPro<sup>®</sup> MMR30 Moisture Transmitter

DewPro MMR30 is a General Eastern product. General Eastern has joined other GE high-technology sensing businesses under a new name—GE Industrial, Sensing.



# DewPro MMR30 Specifications

## Sensing Element

Silicon-based polymer, capacitance principle,  
IC electronics

## Dew Point Range

5°F to 185°F (-15°C to 85°C)

## Dew Point Accuracy

±1.8°F (±1°C) above 32°F (0°C) dew point @ 25°C

## Operating Temperature Range

Process: 5°F to 185°F (-15°C to 85°C)  
Electronics: -40°F to 185°F (-40°C to 85°C)

## Maximum Operating Pressure

250 psia (17 bar)  
Inlet filter: 2 micron sintered stainless steel

## Air Bleed Off at 100 psig (7 bar)

Approximately 1 SCHF (28 sl/h)

## Output

Loop current 4 to 20 mA; 16 µA resolution

## Flow Block

316 stainless steel with 1/2 in NPT-M or G 1/2 thread;  
(DIN ISO 228) and gasket seal

## Wrench Width for Flow Block

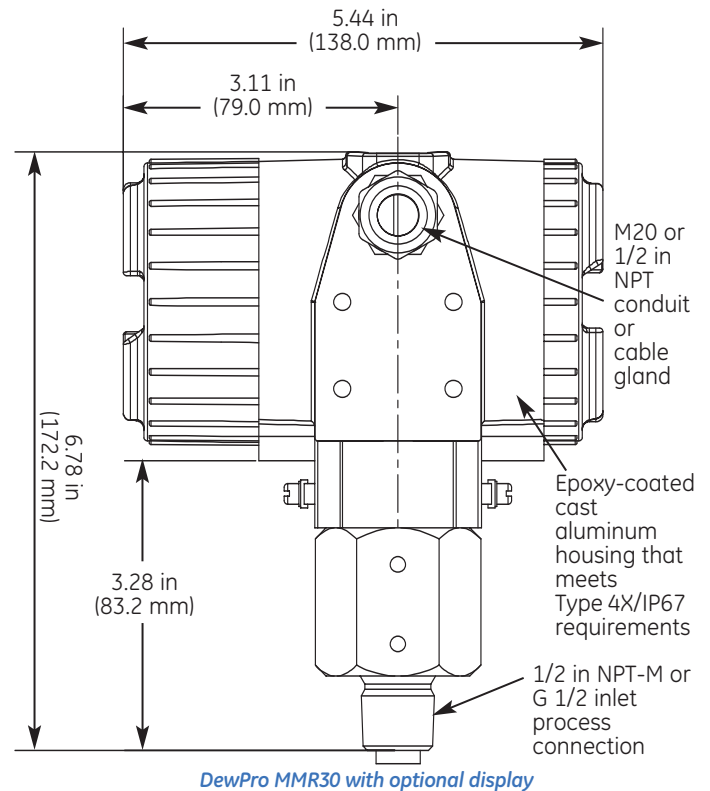
1-5/8 in (42 mm)

## Electronics

Microcontroller operated

## Hardware Selectable Units

Dew point temperature in °F or °C



## Supply Power

24 VDC nominal, tolerance 12 to 30 VDC

## Optional Display

Four-digit numeric display with bar graph and matrix  
position indication. Four user interface keys for unit  
selections, output adjustments and ranging.

## Protection

Type 4X/IP67

## Weight

4.4 lb (2 kg)

## European Compliance

Complies with EMC Directive 89/336/EEC and  
PED 97/23/EC for DN<25



©2005 GE. All rights reserved.  
920-062B

All specifications are subject to change for product improvement without notice.  
DewPro® is a registered trademark of GE. GE® is a registered trademark of General  
Electric Co.

[www.gesensing.com](http://www.gesensing.com)