

# NEMA 1 Enclosure Kit for FRENIC-Mini Series

Thank you for purchasing the NEMA 1 Enclosure Kit. This Kit is an optional product used with FRENIC-Mini series general-purpose inverters. Mounting the NEMA 1 Enclosure Kit to a FRENIC-Mini series general-purpose inverter provides the inverter with an enclosure conforming to the NEMA 1 standard (UL TYPE 1 listed). When this kit is mounted, use the inverter in an ambient temperature of -10 to +40°C.



## 1. Checking the Product

Unpack and check the following items.

- (1) The NEMA 1 Enclosure Kit and instruction manual (this manual) is contained in the package.
- (2) The NEMA 1 Enclosure Kit is not damaged during transportation—no dents.

A nameplate is affixed to the top of the front cover.

Check that the nameplate specifies the product that was ordered.

TYPE	NEMA1-0.2C1-2
SER.No.	319100R0020

### TYPE : Option Models

Power supply	Applicable Inverter model	Option type	Model
200V, three-phase	FRN0.1C1S-2#**	NEMA1-0.2C1-2	A
	FRN0.2C1S-2#**		
	FRN0.4C1S-2#**		
	FRN0.75C1S-2#**		
	FRN1.5C1S-2#**		
400V, three-phase	FRN2.2C1S-2#**	NEMA1-2.2C1-2	B
	FRN3.7C1S-2#**	NEMA1-3.7C1-2	C
	FRN0.4C1S-4#**	NEMA1-0.4C1-4	A
200V, single-phase	FRN0.75C1S-4#**	NEMA1-0.75C1-4	A
	FRN1.5C1S-4#**	NEMA1-2.2C1-2	B
	FRN2.2C1S-4#**	NEMA1-3.7C1-2	C
100V, single-phase	FRN3.7C1S-4#**	NEMA1-3.7C1-2	C
	FRN0.1C1S-7#	NEMA1-0.2C1-2	A
	FRN0.2C1S-7#	NEMA1-0.2C1-2	
	FRN0.4C1S-7#	NEMA1-0.4C1-2	
	FRN0.75C1S-7#	NEMA1-0.75C1-7	
FRN1.5C1S-7#	NEMA1-1.5C1-7		
100V, single-phase	FRN2.2C1S-7#	NEMA1-3.7C1-2	B
	FRN0.1C1S-6#	NEMA1-0.2C1-6	A
	FRN0.2C1S-6#	NEMA1-0.2C1-6	
FRN0.4C1S-6#	NEMA1-0.4C1-6		
	FRN0.75C1S-6#	NEMA1-0.75C1-6	

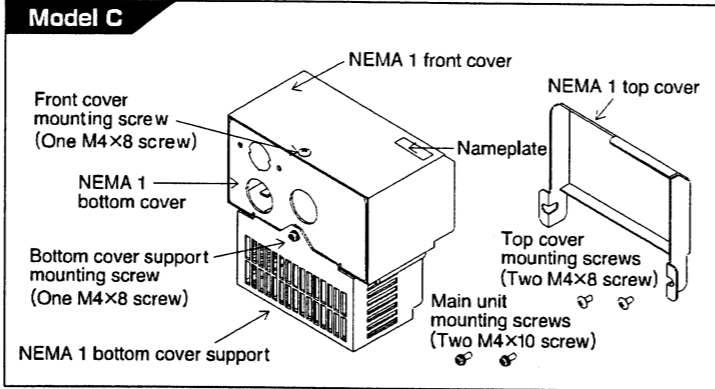
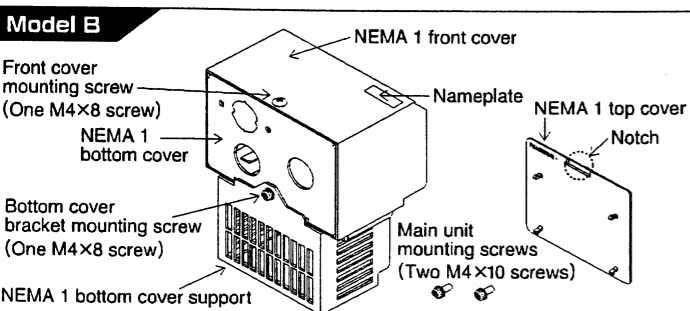
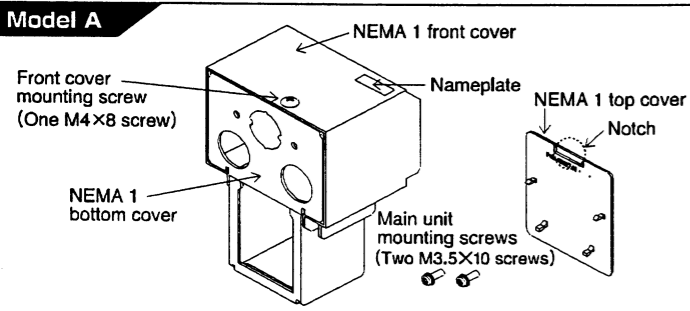
Note: The hash symbol (#) in the applicable inverter model FRN0.1C1S-2#\*\* indicates a letter, and the two asterisks (\*\*) indicate numbers, as follows:  
 #: A (for Asia, instructions in English), E (for Europe, instructions in English), J (for Japan, instructions in Japanese)  
 \*\*: 12 (for RS-485 communications), 21 (built-in braking resistor), blank (standard model)  
 Models with built-in braking resistors use a minimum of 1.5kW.

### SER.No. : Serial number

319100R0020

Year of manufacture: The last digit in the calendar year (e.g., 3 for 2003)  
 Production lot serial number: 1 through 9 (January to September), X (October), Y (November), Z (December)

If the product appears to be defective in any way, contact the place of purchase or the nearest sales representative.

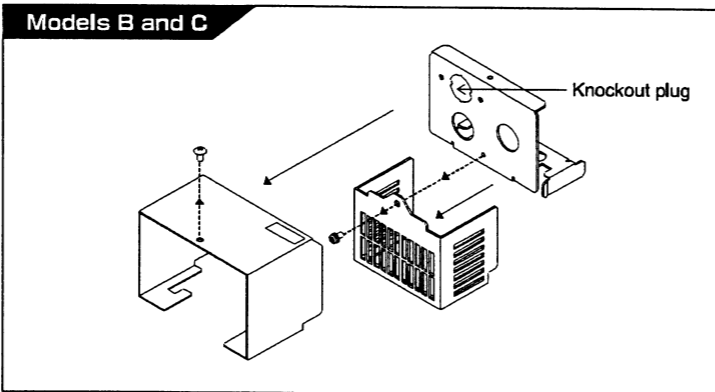
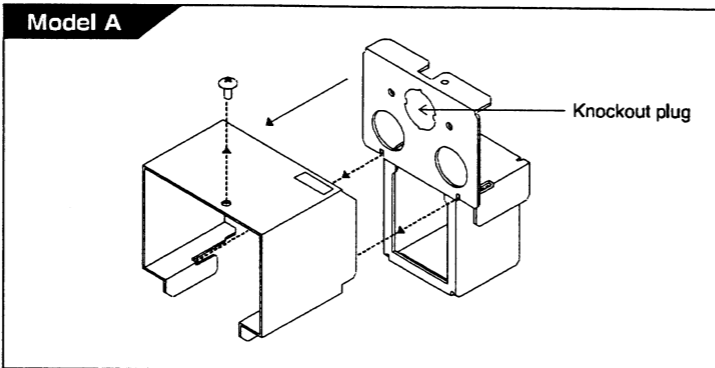


## 2. Mounting Method

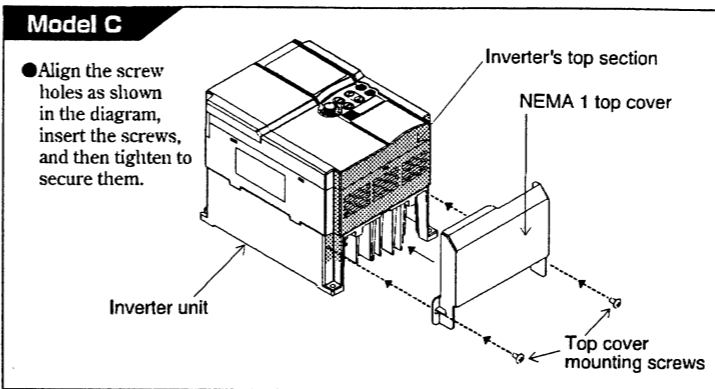
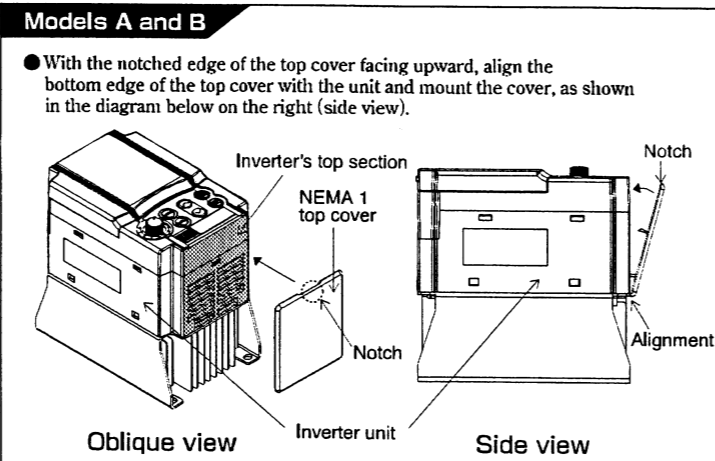
Use the following procedure to mount the NEMA 1 Enclosure Kit. If mounting is incorrect, the product will not conform to the NEMA 1 standard. Note: The mounting method is slightly different for each model.

### 1 Disassemble the enclosure kit into each of its parts.

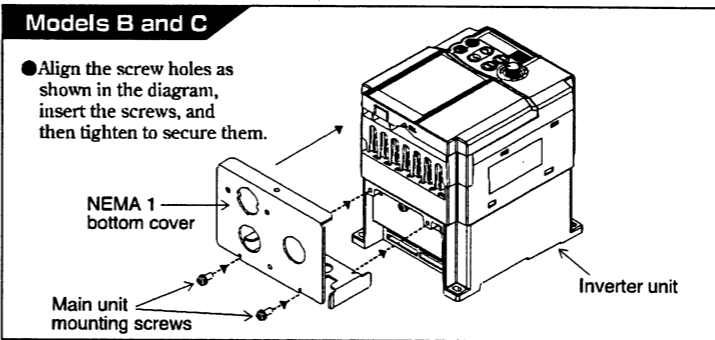
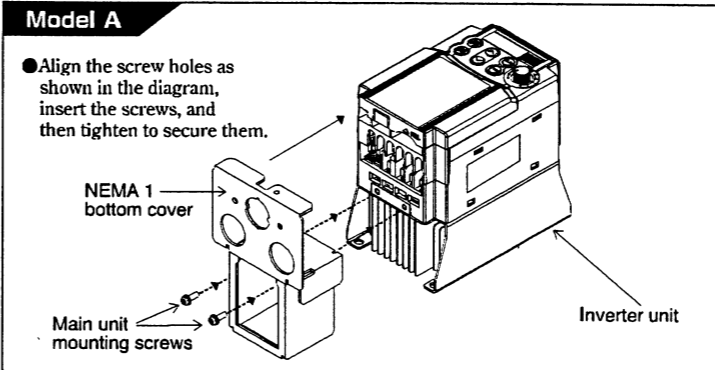
Note: Be sure not to lose the disassembled parts and screws. To wire the control signal lines, remove the knockout plug before removing the NEMA 1 front cover.



### 2 Mount the top cover.



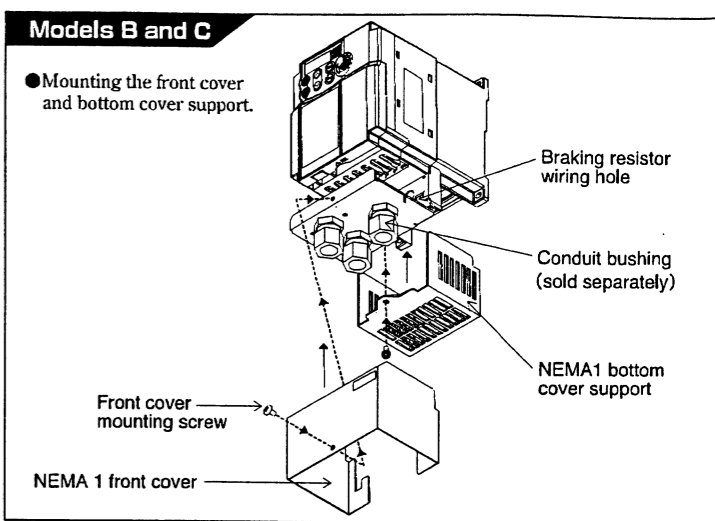
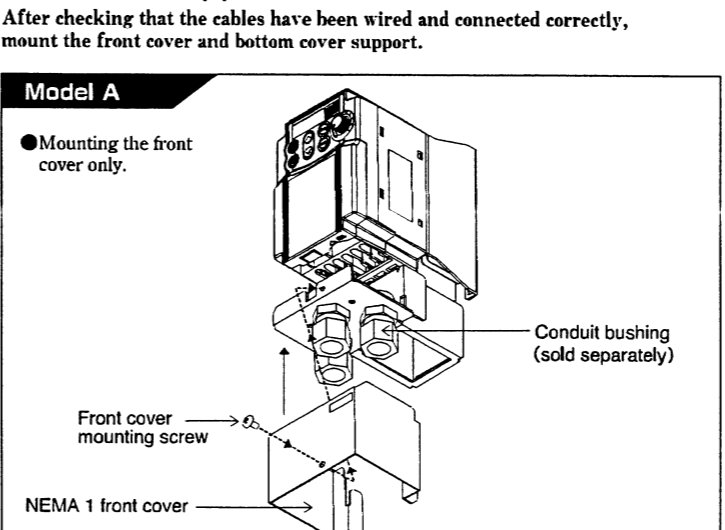
### 3 Mount the bottom cover.



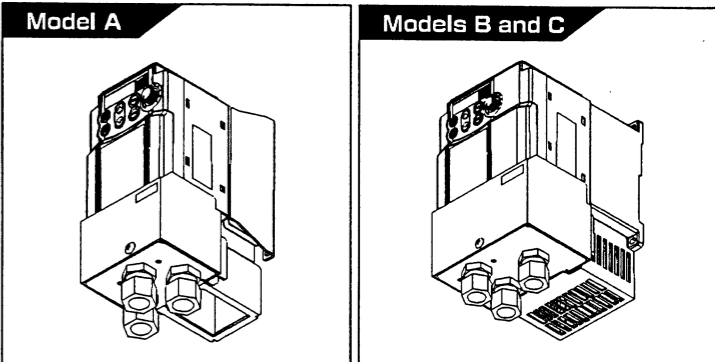
### 4 Wire and connect the cables.

After mounting the bottom cover, install the inverter and conduit bushing (sold separately), and then wire and connect the cables. Wire and connect the cables correctly according to the instructions in the operation manual for the inverter. (Refer to 2.3 Wiring in the Inverter Operation Manual.) (CORRECT NAME FRENIC-Mini Instruction Manual)  
 Note: Be sure not to lose the cover that was removed.

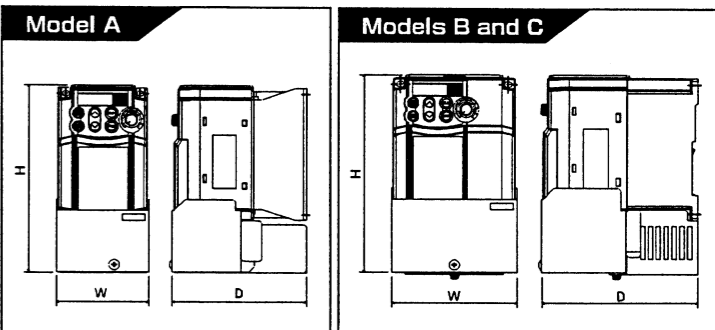
### 5 Mount the front cover and bottom cover support.



### 6 Mounting is completed.



### 7 External Dimensions



Type	Size (mm)			Model
	W	H	D	
NEMA1-0.2C1-2	83	170	81.5	A
NEMA1-0.4C1-2			96.5	
NEMA1-0.75C1-2			121.5	
NEMA1-2.2C1-2	113	181.6	140.5	B,C
NEMA1-3.7C1-2	143	251.6	140.5	
NEMA1-0.4C1-4	113	180	116.5	A
NEMA1-0.75C1-4			140.5	
NEMA1-0.75C1-7	83	170	141.5	B,C
NEMA1-1.5C1-7	113	181.6	150.5	
NEMA1-0.2C1-6	83	170	101.5	A
NEMA1-0.4C1-6			116.5	
NEMA1-0.75C1-6			140.5	

## Fuji Electric FA Components & Systems Co., Ltd.

Gate City Ohsaki, East Tower, 11-2, Osaki 1-chome, Shinagawa-ku, Tokyo, 141-0032, Japan  
 Phone: +81-3-5435-7139 Fax: +81-3-5435-7458  
 URL: <http://www.fujielectric.co.jp/fcs/>