

## Application



The general purpose level controller is offered in two configurations for pump and valve control. The LC10 accepts one level sensor input and provides one 16A relay for high level control or low level control. The LC11 accepts two level sensor inputs and provides one latching 16A relay for automatic fill or empty control. The optional flash alarm brings attention to level alarm conditions. Package this level controller with our liquid level switch sensors and fittings.



## Features

- ✓ Fail-safe relay control of pumps or valves with 0-60 second delay
- ✓ Optional strobe brings immediate attention to level alarm conditions
- ✓ Polypropylene enclosure rated NEMA 4X with swivel base for conduit alignment
- ✓ Easy setup with LED indicators for sensor, power and relay status
- ✓ Invert switch changes relay state from NO to NC without rewiring

## Key Benefits

- ✓ Connects to any Flowline level switch
- ✓ Can be installed outdoors in any GP environment
- ✓ Interfaces directly with any horn, buzzer, valve, etc.
- ✓ Use LC11 versions for automatic fill/empty applications
- ✓ Add strobe for optional visual alarm

## Compatible Products

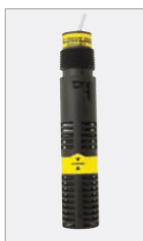
### Switch-Tek™ Level Switch Sensors



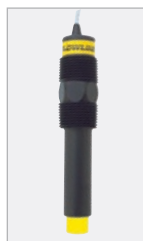
**LU10**  
Ultrasonic



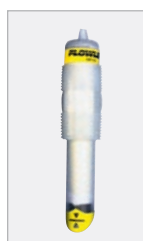
**LZ12**  
Vibration



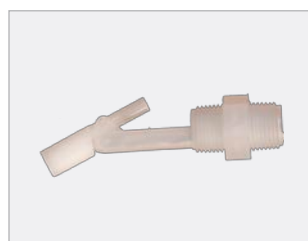
**LV10**  
Buoyancy



**LP15**  
Capacitance



**LO10**  
Leak Detection



**LH25**  
Mini-Float

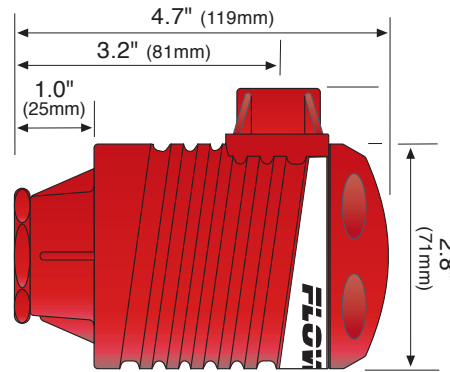


**LH35**  
High Temp Float

### Specifications

Supply voltage: 120 / 240 VAC, 50-60 Hz  
 Consumption: 5 watts maximum  
 Sensor inputs: LC10: (1) two wire level switch  
 LC11: (2) two wire level switches  
 Sensor supply: 13.5 VDC @ 27 mA  
 LED indication: Sensor, power & relay  
 Strobe type: -10X1: N/A  
 -10X2: Xenon tube  
 Strobe flash: -10X1: N/A  
 -10X2: (1) per second  
 Contact type: LC10: (1) SPDT relay  
 LC11: (1) SPDT relay, latching  
 Contact rating: 250 VAC @ 16A  
 Contact output: Selectable NO / NC  
 Contact delay: 0-60 seconds  
 Contact latch: LC10: N/A  
 LC11: Selectable ON / OFF  
 Ambient temp.: F: -40° to 158°  
 C: -40° to 70°  
 Enclosure rating: NEMA 4X (IP65)  
 Enclosure mat.: -10X1: PP, UL94VO  
 -10X2: PP, UL94VO & PC  
 Conduit entrance: 1/2 NPT  
 Enclosure mount: 3/4" NPT (3/4" Rp)  
 Classification: General purpose  
 Compliance: CE  
 Approvals: CSA, LR 79326

### Dimensions



### Accessories



#### Strobe Alert

The controller with Strobe Alert configuration flashes when the relay is energized during a high or low level alarm condition.

### Ordering

LC1  -10

- Contact / input(s) (1)**
- 0 1 Relay / 1 sensor
- 1 1 Latching relay / 2 sensors
- Enclosure mount**
- 0 NPT (US)
- 5 Rp (Metric)
- Configuration**
- 1 Controller only
- 2 Controller with Strobe Alert

#### Notes

- 1) The level controller is compatible with level switch packages (junction box type) and level switch sensors.