

Smart-Trak™

With Compact Relay Controller



AU23, AV23, AZ23 Series Manual



The general purpose level switch package provides automatic tank filling and emptying up to 10' (3m) between two adjustable level switch points. The compact level controller with optional strobe alert provides one latching 16A relay for pump or valve control. Offered in three level sensor technologies, select the type based upon your application media. This polypropylene liquid level switch package is widely selected for sump, process and day tank level applications.

FEATURES

- Fail-Safe relay control of pumps, valves or alarms with a 0 to 60 second delay.
- Offered in three sensing technologies for broad application coverage: ultrasonic vibration & buoyancy.
- Polypropylene enclosure rated NEMA 4X with swivel base for conduit alignment.
- Easy setup with LED indicators for sensor(s), power and relay status.
- Invert switch changes relay state from NO to NC without rewiring.
- AC powered

TABLE OF CONTENTS

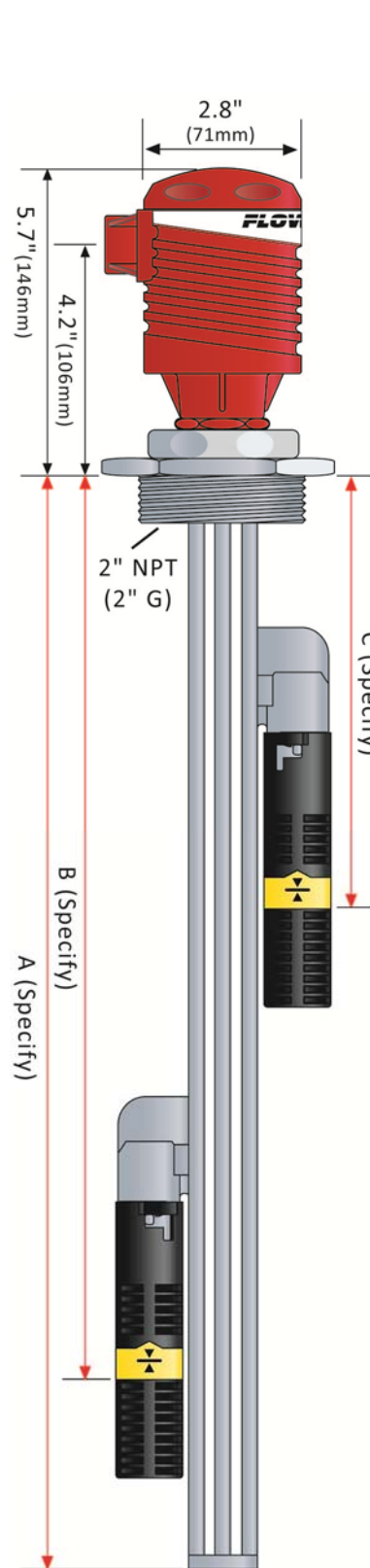
Specifications/Dimensions:..... 3
 Parts Included: 4
 Configurations:..... 5
 Safety Precautions:..... 6
 Make a Fail-Safe System:..... 7
 Getting Started:..... 8
 Features of Controller (Latch ON or Latch OFF): 8
 Guide to Controls: 7
 Electrical: 10
 VAC Power Input Wiring: 10
 Relay Input Wiring:..... 10
 Strobe Alert Output: 10
 Automatic Fill / Empty: 11
 Changing from 120 to 240 VAC: 12
 Assembly of Smart Trak™:..... 13
 Sensor Location: 14
 Smart Trak™ Assembly: 15
 Assembly of Switch Car:..... 16
 Installation:..... 17
 Maintenance: 18
 Controller Logic: 18
 Troubleshooting 19
 Warranty 20

Length: 8" (20cm) to 10' (3m)
 Switch points: 2 (field adjustable)
 Orientation: ± 20° from vertical
 Supply voltage: 120 / 240 VAC, 50 - 60 Hz.
 Consumption: 0.25A maximum
 Sensor supply: 13.5 VDC @ 27 mA
 LED indication: Sensor, relay & power status
 Contact type: (1) SPDT Relay, Latched
 Contact rating: 250 VAC, 16A
 Contact output: Selectable NO or NC
 Contact delay: 0 to 60 seconds
 Contact latch: Select On/Off
 Process temp.: F: -40° to 176°
 C: -40° to 80
 Electronics temp.: F: -40° to 158°
 C: -40° to 70°
 Pressure: Atmospheric
 Wetted material: PP (20% glass filled)
 Enclosure rating: NEMA 4X (IP65)
 Enclosure material: PP(U.L. 94 VO)
 Process mount.: 2" NPT (2" G)
 Enclosure rotation: 300° swivel base
 Conduit entrance: Single, 1/2" NPT
 Installed height: 5.7" (14.4cm)"
 7.4" (18.8cm) with strobe
 Classification: General purpose
 Certificate number: LR 79326-3
 CE compliance: EN 61326 EMC
 EN 61010-1 Safety

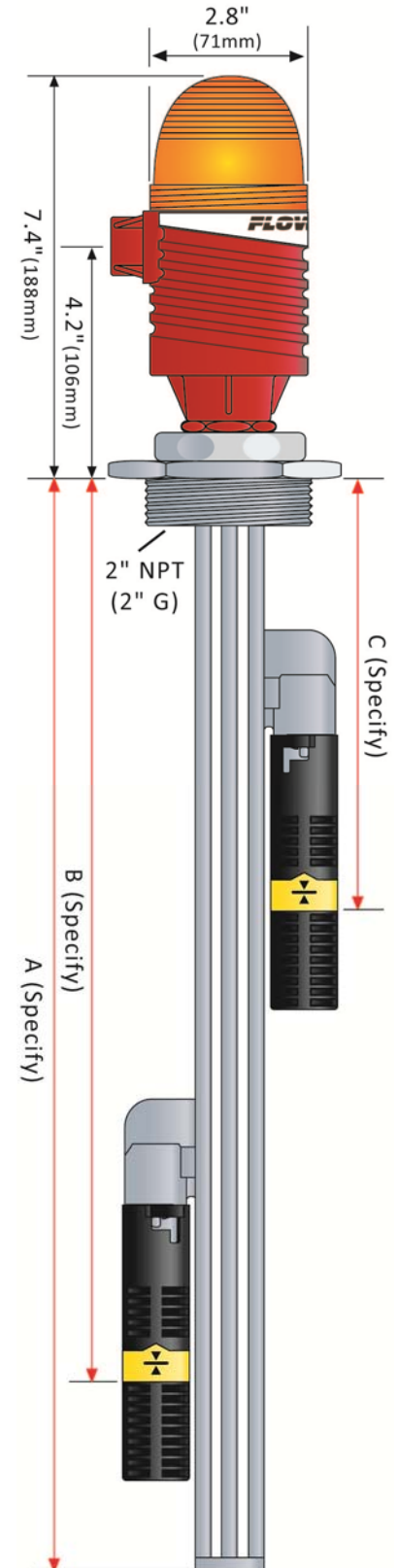
Strobe Alert

Flash type: Xenon tube
 Flash frequency: 1 per second
 Strobe life: 10M cycles
 Supply voltage: 120 VAC, 50-60 Hz.
 Consumption: 3 Watts max.
 Material: Polycarbonate
 Enclosure rating: NEMA 4X (IP65)
 Color: Amber

Without Strobe Alert



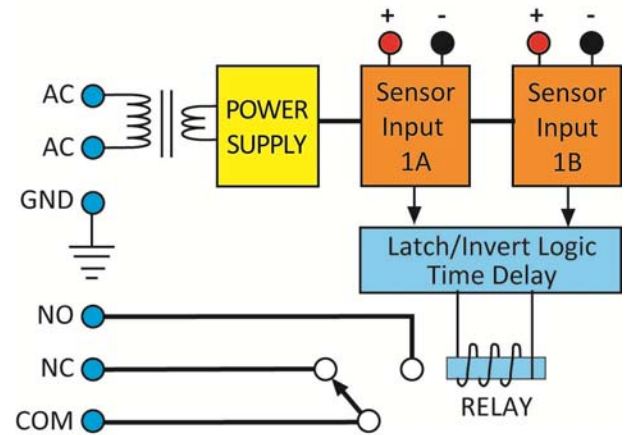
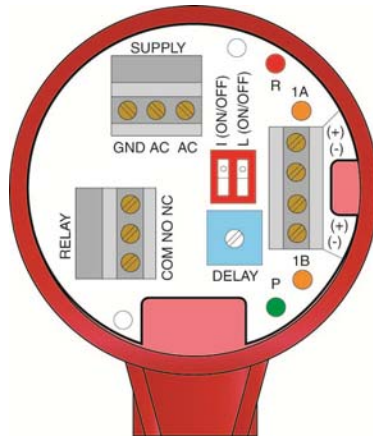
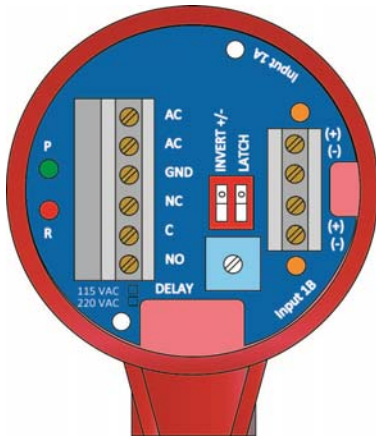
With Strobe Alert



**Standard Faceplate
(Non-CE Versions)**

**CE Faceplate
(CE Versions)**

Functional Diagram



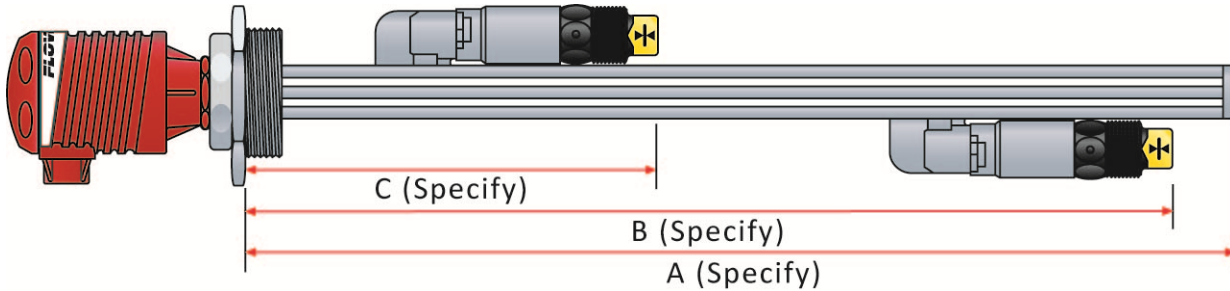
PARTS INCLUDED:

Part Number	240 VAC Option	CE Option	Thread	Strobe Alert	Description		
AU23-4313	Add (-E)	Add (-CE)	NPT	No	Dual Level Switches Ultrasonic (Gap Switch) Technology		
AU23-4317			G				
AU23-4323		N/A	NPT	Yes			
AU23-4327			G				
AV23-4313		Add (-CE)	NPT	No		Dual Level Switches Buoyancy (Vertical Float) Technology	
AV23-4317			G	No			
AV23-4323		N/A	NPT	Yes			
AV23-4327			G	Yes			
AZ23-4313		Add (-CE)	Add (-CE)	NPT	No		Dual Level Switches Vibration (Tuning Fork) Technology
Az23-4317				G	No		
AZ23-4323			N/A	NPT	Yes		
AZ23-4327				G	Yes		

- Owner's Manual

STANDARD CONFIGURATION:

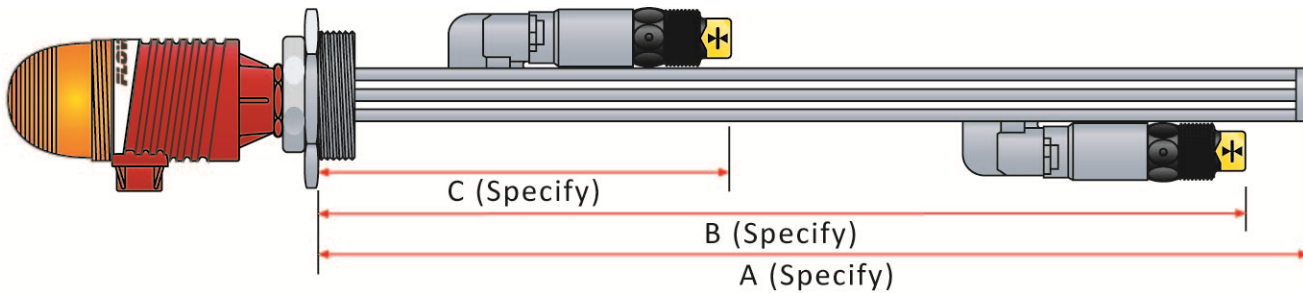
(AU23-431_, AV23-431_ or AZ23-431_)



Ultrasonic		Buoyancy		Vibration	
AU23-4313	AU23-4317	AV23-4313	AV23-4317	AZ23-4313	AZ23-4317
2 x LU10-1305	2 x LU10-1305	2 x LV10-1301	2 x LV10-1301	2 x LZ12-1405	2 x LZ12-1405
1 x LM10-1_01	1 x LM10-1_61	1 x LM10-1_01	1 x LM10-1_61	1 x LM10-1_01	1 x LM10-1_61
2 x LM30-1001	2 x LM30-1001	2 x LM30-1001	2 x LM30-1001	2 x LM30-1001	2 x LM30-1001
1 x LC11-1001	1 x LC11-1051	1 x LC11-1001	1 x LC11-1051	1 x LC11-1001	1 x LC11-1051

STANDARD CONFIGURATION:

(AU23-432_, AV23-432_ or AZ23-432_)



Ultrasonic		Buoyancy		Vibration	
AU23-4323	AU23-4327	AV23-4323	AV23-4327	AZ23-4323	AZ23-4327
2 x LU10-1305	2 x LU10-1305	2 x LV10-1301	2 x LV10-1301	2 x LZ12-1405	2 x LZ12-1405
1 x LM10-1_01	1 x LM10-1_61	1 x LM10-1_01	1 x LM10-1_61	1 x LM10-1_01	1 x LM10-1_61
2 x LM30-1001	2 x LM30-1001	2 x LM30-1001	2 x LM30-1001	2 x LM30-1001	2 x LM30-1001
1 x LC11-1002	1 x LC11-1052	1 x LC11-1002	1 x LC11-1052	1 x LC11-1002	1 x LC11-1052

COMPONENT LIST:

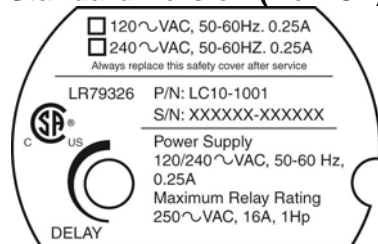


Smart Trak™ Fitting P/N:	Relay Controller P/N:	Switch Car Kit P/N:	Switch-Tek™ P/N:
LM10-1_01 or LM10-1_61	LC11-1001, LC11-1051, LC11-1002 or LC11-1052	LM30-1001	LU10-1305, LV10-1301 or LZ12-1405

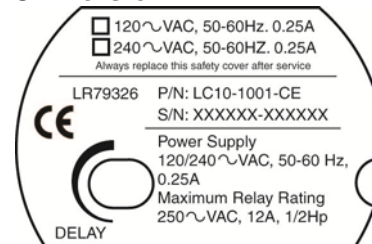
- ⚠ **About This Manual:** PLEASE READ THE ENTIRE MANUAL PRIOR TO INSTALLING OR USING THIS PRODUCT. This manual includes information on the Smart Trak™ with Compact Relay Controller: AU23-43__, AV23-43__ & AZ23-43__. The units are identical except for the sensor technology and optional Strobe Alert.
- ⚠ **User's Responsibility for Safety:** Flowline manufactures a wide range of liquid level sensors, controllers and mounting systems. It is the user's responsibility to select components that are appropriate for the application, install them properly, perform tests of the installed system, and maintain all components. The failure to do so could result in property damage or serious injury.
- ⚠ **Proper Installation and Handling:** Use a proper sealant with all installations. Never over tighten the components. Always check for leaks prior to system start-up.
- ⚠ **Material Compatibility:**
 - **Glass filled Polypropylene** (PP, a polyolefin): Track, end cap, wire retainer clips, bayonet adapter, level switch and sensor car for all Smart Trak Assemblies.
 - **Polychlorotrifluoroethylene** (PCTFE, a fluoroplastic): Sensor car locking bolt and screw.
 - **Polypropylene** (PP, a polyolefin): Sensor, top compression fitting, thrust plate, locking pin and 2" NPT fitting.
 - **Viton** (a fluorocarbon): O-ring.
 - **Neoprene** (w/silicon gel for lubrication): Wire gasket.
 - **Santoprene** (w/silicon gel for lubrication): Seal plug.

Make sure that the application liquids are compatible with the materials that will be wetted. To determine the chemical compatibility between the components and its application liquids, refer to the Compass Corrosion Guide, available from Compass Publications.
- ⚠ **Temperature and Pressure:** Smart Trak™ is designed for use in application temperatures up to 80° C (176° F). It is not designed for pressurized applications due to the wiring that must travel through a gasket at the head.
- ⚠ **Wiring and Electrical:** Electrical wiring of any liquid level control system should be performed in accordance with all applicable national, state, and local codes. Take care not to cut or break the outer insulation jacket of wiring that may be immersed while routing cables in the Smart Trak™ system. Such breaks of the liquid seal of the sensor system may lead to component failure.
- ⚠ **Flammable, Explosive and Hazardous Applications:** The AU23-43__, AZ23-43__ and AV23-34__ Smart Trak™ should not be used within classified hazardous environments.
- ⚠ **Safety Cover:** Based upon the part number selected, a safety cover has been placed within the enclosure. Always replace the safety cover after any service.

Standard Version (Non-CE)



CE Version

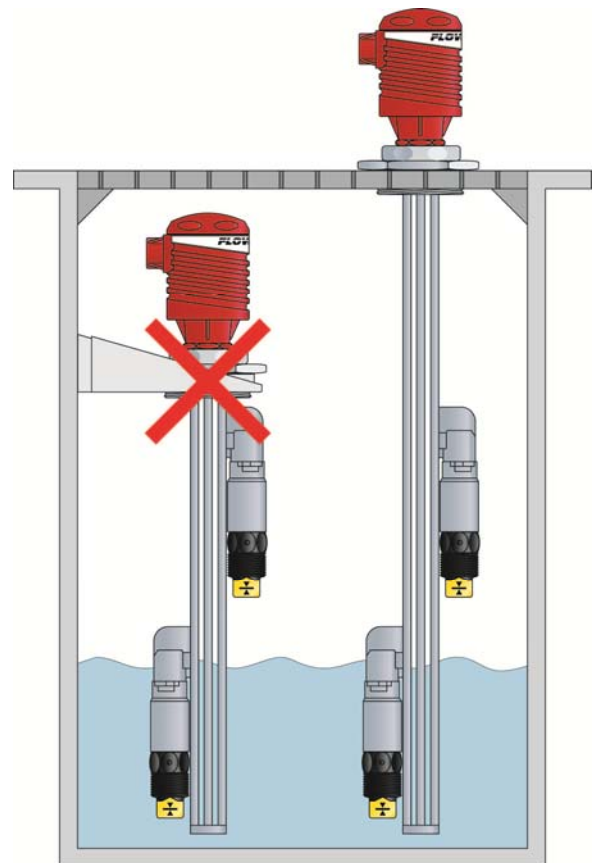


- ⚠ **Make a Fail-Safe System:** Design a fail-safe system that accommodates the possibility of relay or power failure. If power is cut off to the controller, it will de-energize the relay. Make sure that the de-energized state of the relay is the safe state in your process. For example, if controller power is lost, a pump filling a tank will turn off if it is connected to the Normally Open side of the relay.

While the internal relay is reliable, over the course of time relay failure is possible in two modes: under a heavy load the contacts may be “welded” or stuck into the energized position, or corrosion may buildup on a contact so that it will not complete the circuit when it should. In critical applications, redundant backup systems and alarms must be used in addition to the primary system. Such backup systems should use different sensor technologies where possible.

While this manual offers some examples and suggestions to help explain the operation of FLOWLINE products, such examples are for information only and are not intended as a complete guide to installing any specific system.

- ⚠ **Electrical Shock Hazard:** It is possible to contact components on the controller that carry high voltage, causing serious injury or death. All power to the controller and the relay circuit(s) it controls should be turned OFF prior to working on the Smart Trak™. If it is necessary to make adjustments during powered operation, use extreme caution and use only insulated tools. Making adjustments to powered controllers is not recommended. Wiring should be performed by qualified personnel in accordance with all applicable national, state and local electrical codes.
- ⚠ **Install In a Dry Location:** Although the sensors on Smart Trak™ are designed to be submersed, the controller housing is only liquid-resistant and made of Polypropylene (PP). When installed properly, the controller housing is not designed to be immersed. It should be mounted in such a way that it does not normally come into contact with fluid. Refer to an industry reference to ensure that compounds that may splash onto the controller housing will not damage it. Such damage is not covered by the warranty.
- ⚠ **Relay Contact Rating:** The relay is rated for a 16 amp resistive load. Many loads (such as a motor during start-up or incandescent lights) are reactive and may have an inrush current characteristic that may be 10 to 20 times their steady-state load rating. The use of a contact protection circuit may be necessary for your installation if the 16 amp rating does not provide an ample margin for such inrush currents.

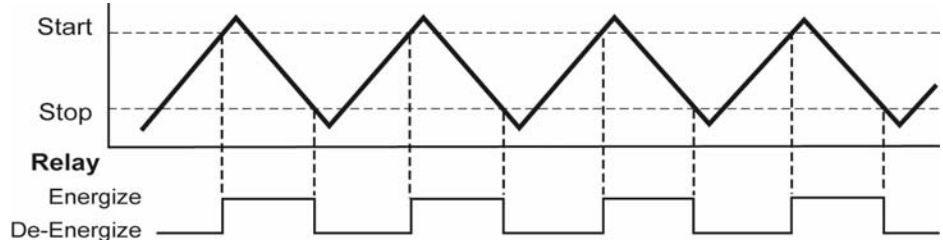


FEATURES OF CONTROL (LATCH ON):

The Smart Trak™ with compact relay controller package is designed to receive signals from two liquid sensors. It turns its internal relay ON or OFF (as set by the invert switch) in response to the presence of liquid on both sensors, and changes the relay status back again when both sensors are dry.

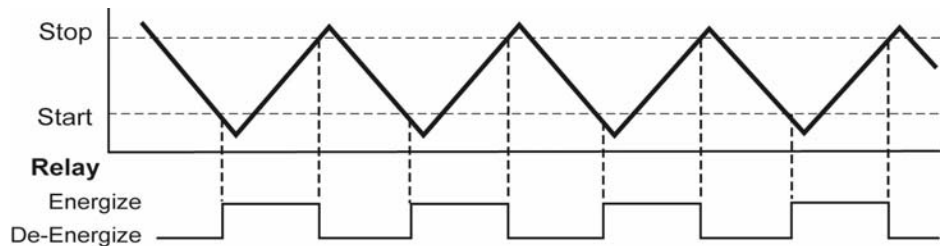
Automatic Empty:

Latch is ON & Invert is OFF. Relay will energize when level reaches high switch (both switches are wet). Relay will de-energize when level is below the bottom switch (both switches are dry).



Automatic Full:

Latch is ON & Invert is ON. Relay will energize when level is below the bottom switch (both switches are dry). Relay will de-energize when level reaches high switch (both switches are wet).



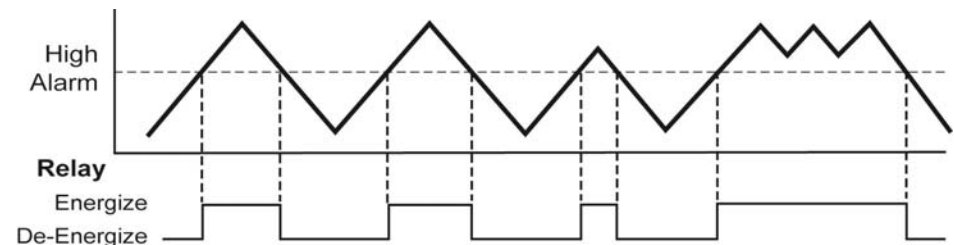
The relay is a single pole, double throw type; the controlled device can be connected to either the normally open or normally closed side of the relay. A time delay from 0 to 60 seconds can be set (delay occurs on both the make and break). Typical applications are automatic filling (starting fill pump at a low level and stopping pump at a high level) or automatic emptying operations (opening a drain valve at a high level and closing valve at low level).

FEATURES OF CONTROL (LATCH OFF):

With the latch OFF, the Smart Trak™ package is designed to receive a signal from a single liquid sensor (the second sensor is ignored). It turns its internal relay ON or OFF (as set by the invert switch) in response to the presence of liquid, and changes the relay status back again when the sensor is dry.

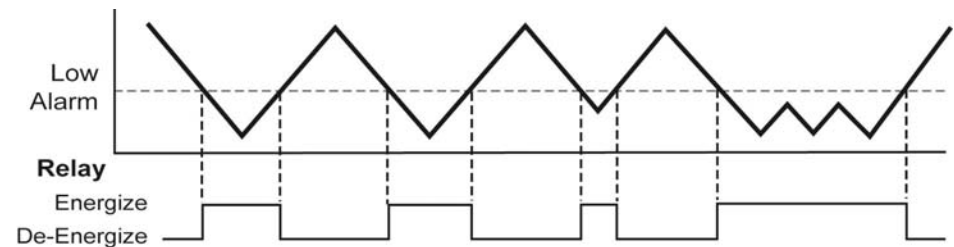
High Alarm:

Invert is OFF. Relay will energize when the switch becomes Wet and will de-energize when the switch becomes Dry (out of liquid).



Low Alarm:

Invert is ON. Relay will energize when the switch becomes Dry (out of liquid) and will de-energize when the switch becomes Wet.

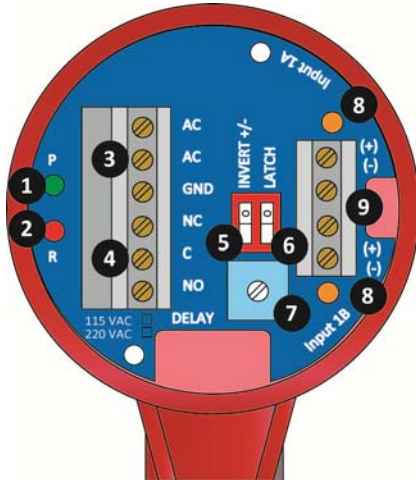


Note: The package can only be used as a single high alarm or single low alarm and **not** as a high and low alarm package because only one relay is present within the Smart Trak™. Also, the controller will only activate upon the change of input 1A (1B will be ignored).

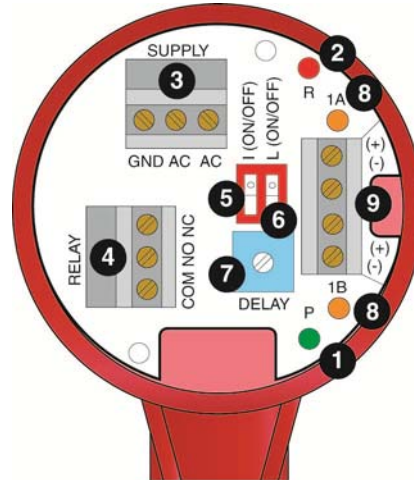
GUIDE TO CONTROLS:

Below is a listing and the location of the different components for the controller:

Standard Version (Non-CE)



CE Version (ex. AZ23-4223-CE)



1. **Power indicator:** This green LED lights when AC power is ON.
2. **Relay indicator:** This red LED will light whenever the controller energizes the relay, in response to the proper condition at the sensor input(s) and after the time delay.
3. **AC Power terminals:** Connection of 120 VAC power to the controller. The setting may be changed to 240 VAC if desired. This requires changing internal jumpers; this is covered in the Installation section of the manual. Polarity (neutral and hot) does not matter.
4. **Relay terminals (NC, C, NO):** Connect the device you wish to control (pump, alarm etc.) to these terminals: supply to the COM terminal, and the device to the NO or NC terminal as required. The switched device should be a non inductive load of not more than 16 amps; for reactive loads the current must be derated or protection circuits used. When the red LED is ON and the relay is in the energized state, the NO terminal will be closed and the NC terminal will be open.
5. **Invert switch:** This DIP switch reverses the logic of the relay control in response to the sensor(s): conditions that used to energize the relay will make it turn off and vice versa.
6. **Latch switch:** This DIP switch determines how the relay will be energized in response to the two sensor inputs. When LATCH is OFF, the relay responds to sensor Input 1A only; when LATCH is ON, the relay will energize or de-energize only when both sensors (1A and 1B) are in the same condition (wet or dry). The relay will remain latched until both sensors change states.
7. **Time Delay:** After the input(s) change(s) state, this control sets a delay from 0.15 to 60 seconds before the relay will respond.
8. **Input 1A and 1B indicator:** These amber LEDs will light immediately whenever the appropriate sensor attached to the terminals detects liquid, and will turn off when it is dry.
9. **Input terminals:** Connect the wiring from the sensors to these terminals: A to the upper pair, B (LC11 Series only) to the lower pair. Note the polarity: (+) is a 13.5 VDC, 27 mA power supply (to be connected to the red wire of a Flowline sensor), and (-) is the return path from the sensor (to be connected to the black wire of a Flowline sensor). If polarity is reversed, the sensors will not work.

VAC POWER INPUT WIRING:

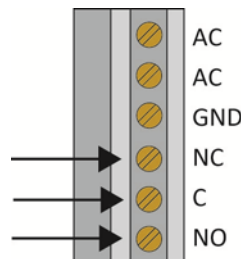
Observe the labeling on the controller. **Note:** Polarity does not matter with the AC input terminal.



WIRING:

RELAY INPUT

The relay is a single pole, double throw type rated at 250 Volts AC, 16 Amps. The terminals Normally Open (NO) and Normally Closed (NC) will be used in different applications. Remember that the "normal" state is when the relay coil is de-energized and the Red relay LED is OFF (de-energized).



A typical application for the Smart Trak™ with Compact Relay Controller is to operate a pump or valve between the two set points (automatic fill or empty). In this application, a pump or valve can be wired to either the Normally Open (NO) or Normally Closed (NC) side of the relay. In the example below, power to the Smart Trak™ is not shown.

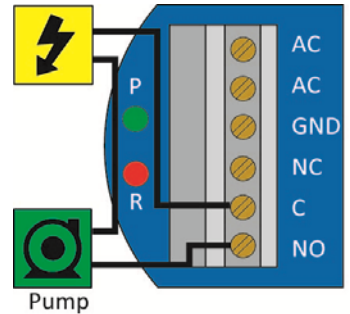


STROBE ALERT OUTPUT:

The Smart Trak™ features a latching controller primarily designed for automatic filling or emptying of a tank or sump. If the Strobe Alert was added to your package, it can be wired to either indicate that the tank is emptying or filling. Example, if a pump is wired to empty the tank, then wiring the strobe to the same terminal (NO or NC) as the pump will have the light flash when the pump is active. Wiring to the opposite terminal as the pump will have the light flash when the pump is not active. **Note:** The latching relay within the controller **prevents** the Strobe from switching when a high or level is reached.

AUTOMATIC FILL:

This system consists of a tank with a high and low level sensor, and a pump or valve that is operated by the controller. Proper fail-safe design for this system is to stop filling if power is lost. Therefore, we connect the pump/valve to the NO side of the relay. When energized, the device will activate and fill the tank. The relay LED will correspond directly to the ON/OFF status of the pump/valve. **NOTE:** *If the pump motor load exceeds the rating of relay controller, a stepper relay of higher capacity must be used as part of the system design.*



Determining the settings of LATCH and INVERT: This is the way the system must operate:

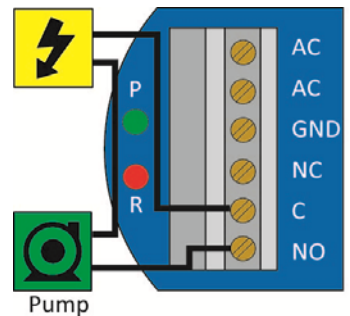
- When both the high and low sensors are dry, the device should activate, starting to fill the tank.
- When the low sensor gets wet, the device should stay ON.
- When the high sensor gets wet, the device should turn OFF.

Latch: In any two-sensor control system, LATCH must be ON.

Invert: Referring to the logic chart in Step Nine, we look for the setting that will de-energize the relay (start the pump) when both inputs are wet (Amber LEDs). *In this system, Invert should be ON.*

AUTOMATIC EMPTY:

Note that similar system logic can be used for an automatic empty operation simply by controlling a pump/valve that takes fluid out of the tank instead of into it. Connect the pump/valve to the NO side of the relay. When energized, the device will activate and empty the tank.



Determining the settings of LATCH and INVERT: This is the way the system must operate:

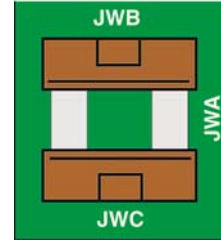
- When both the high and low sensors are wet, the device should activate, starting to empty the tank.
- When the high sensor gets dry, the device should stay ON.
- When the low sensor gets dry, the device should turn OFF.

Latch: In any two-sensor control system, LATCH must be ON.

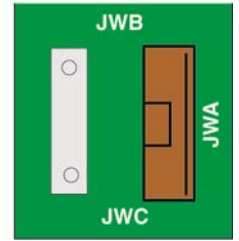
Invert: Referring to the logic chart in Step Nine, we look for the setting that will de-energize the relay (start the pump) when both inputs are wet (Amber LEDs). *In this system, Invert should be OFF.*

CHANGING FROM 120 TO 240 VAC:

1. Remove the two screws from the top of the printed circuit board (PCB) and gently slide the PCB from the housing. Use caution when removing the PCB.
2. Located jumpers JWA, JWB and JWC on the PCB.
3. To change to 240 VAC, remove jumpers from JWB and JWC and place a single jumper across JWA. To change to 120 VAC, remove jumper JWA and place jumpers across JWB and JWC.
4. Gently return PCB into housing and replace the two screws.



120 VAC Configuration



240 VAC Configuration

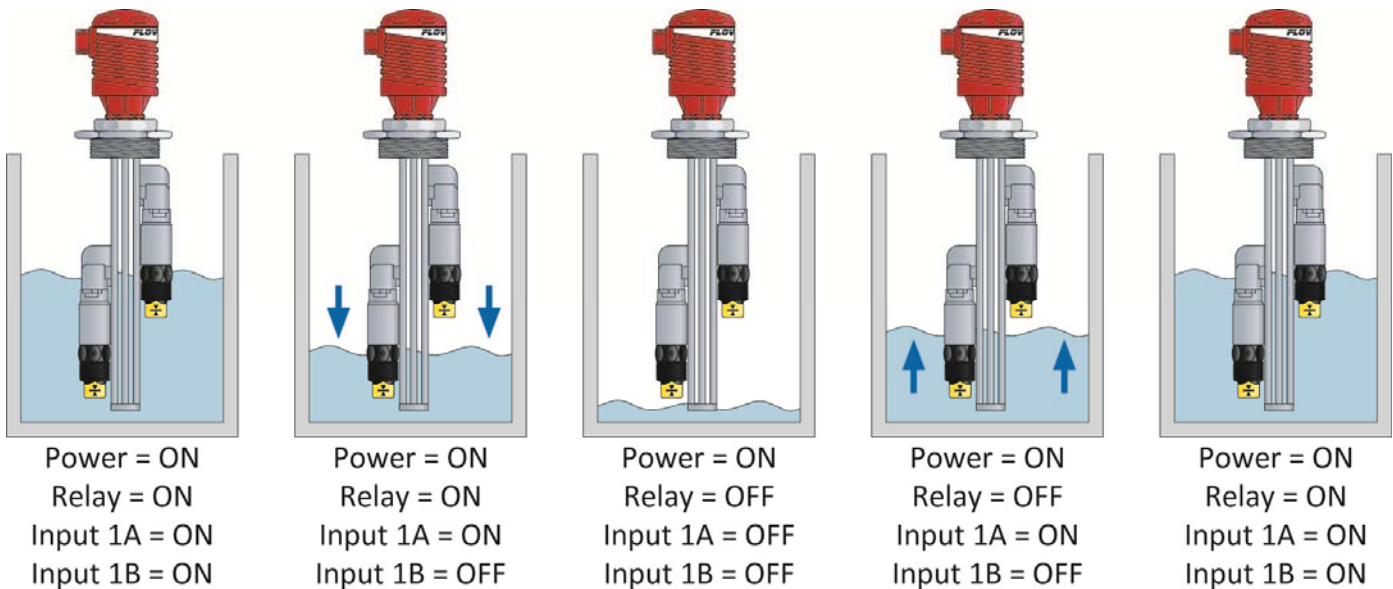
RELAY LATCH LOGIC TABLE:

With Latch ON, the relay will actuate when INPUT 1A and INPUT 1B are in the same condition. The relay will not change its condition until both inputs reverse their state.

Invert Off		Latch ON
Input 1A	Input 1B	Relay
ON	ON	ON
OFF	ON	No Change
ON	OFF	No Change
OFF	OFF	OFF

Invert ON		Latch ON
Input 1A	Input 1B	Relay
ON	ON	OFF
OFF	ON	No Change
ON	OFF	No Change
OFF	OFF	ON

The example shown below has the Invert Off and the Latch ON. With Invert ON, follow the above left chart.



Note: Some sensors (particularly buoyancy sensors) may have their own inverting capability (wired NO or NC). This will change the logic of the invert switch. Check your system design.

With Latch OFF, the relay will actuate only from INPUT 1A and INPUT 1B will be ignored.

Invert Off		Latch Off	Invert ON		Latch Off
Input 1A	Input 1B	Relay	Input 1A	Input 1B	Relay
ON	No Effect	ON	ON	No Effect	OFF
OFF	No Effect	OFF	OFF	No Effect	ON

ABOUT SMART TRAK™:

Flowline's Smart Trak™ with Compact Relay Controller Assembly is an adjustable mounting system for installing two level sensors vertically within a tank. Mounted through a single point at the top of the tank, both sensors can be adjusted in the field. The compact relay controller features a 120/240 VAC latched controller with a 250 VAC, 10A SPDT relay contract. Smart Trak™ mounts vertically through a standard 2" NPT tank adapter or on a side mount bracket (such as the LM50-1001). Unlike prefabricated "trees" or pipes, Smart Trak™ allows you to experiment with sensor position to account for variations in the point of actuation of each sensor during process testing.

TRACK:

The track itself is approximately 1" square, and is from 8" to 10' long depending on the A-Dimension. The track may be cut to length if desired. Four separate grooves run the length of the track, one on each side of the square. These grooves hold the sensor cars that attach to Flowline sensors, and also serve to contain the switch cable. The bottom of the track is capped with an end cap.

RELAY CONTROLLER:

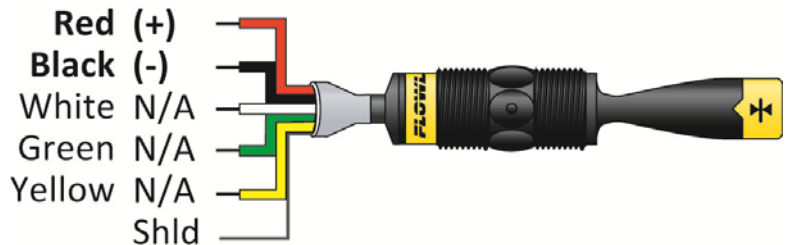
Both level switches are pre-wired before shipment to the 4-pole terminal strip [Input 1A (+) & (-) & Input 1B (+) & (-)]. The switch technologies used to indicate level are either Ultrasonic, Buoyancy or Vibration. The Compact Relay Controller provides a 1/2" Conduit connection and 6 poles for wire termination of power and relay contact. Use the AC, AC and GND terminals for providing power. Use the NC, NC and COM terminals for interfacing to the relay contact.



Compact Relay Controller (inside shown)

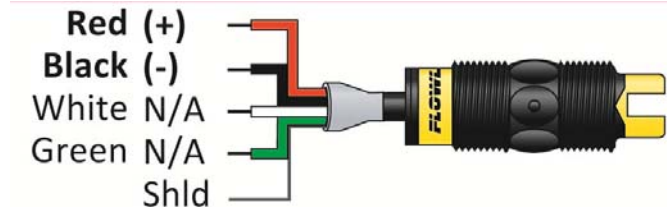
VIBRATION (LZ12-1405) WIRE CONFIGURATION:

Typically applied in wastewater media with light coating and/or foaming characteristics. Use only the Red and Black wires. *White, Green and Yellow wires are not used.*



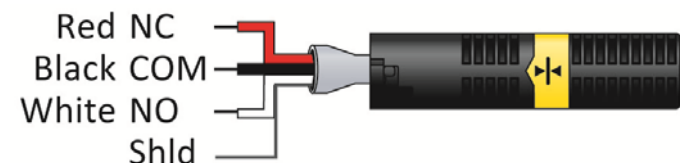
ULTRASONIC (LU10-1305) WIRE CONFIGURATION:

Broadly applied in chemical, solvent, hydrocarbon and light weight oil media. Use only the Red and Black wires. *White and Green wires are not used.*



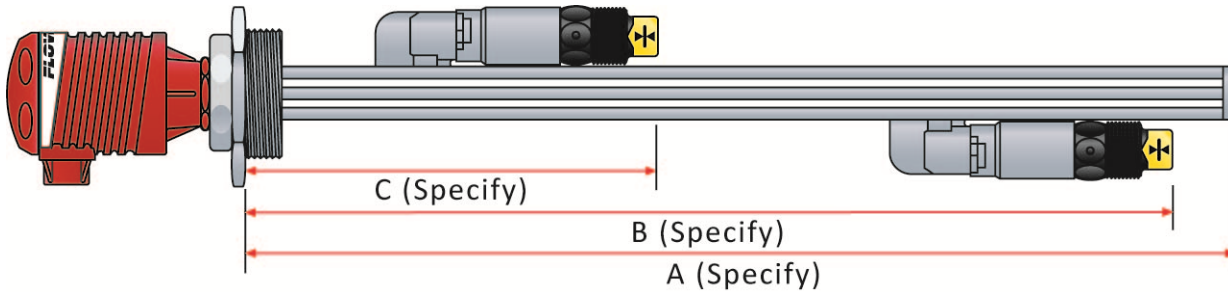
BUOYANCY (LV10-1301) WIRE CONFIGURATION:

Best applied in clean water or water-like chemical media that is non-coating or scaling. Use the White and Black wires for a Normally Open switch. The Red and Black wires can be used for a Normally Closed switch.



SENSOR LOCATION:

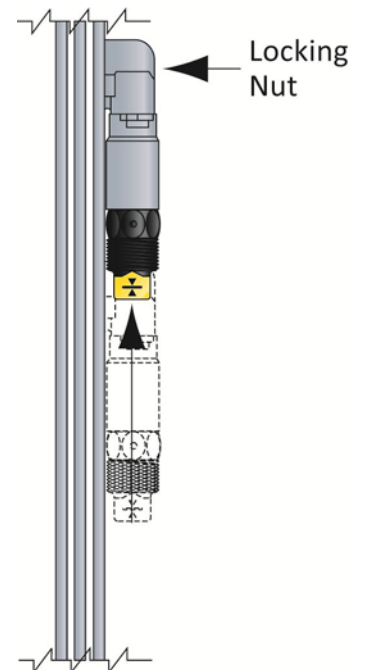
Smart Trak™ is shipped with a specific length of the track and two sensors attached. The three values at the end of the part number are assigned to provide the length of the track (A-Dimension), the activation location of the bottom sensor (B-Dimension) and the activation location for the top sensor (C-Dimension). See example below.



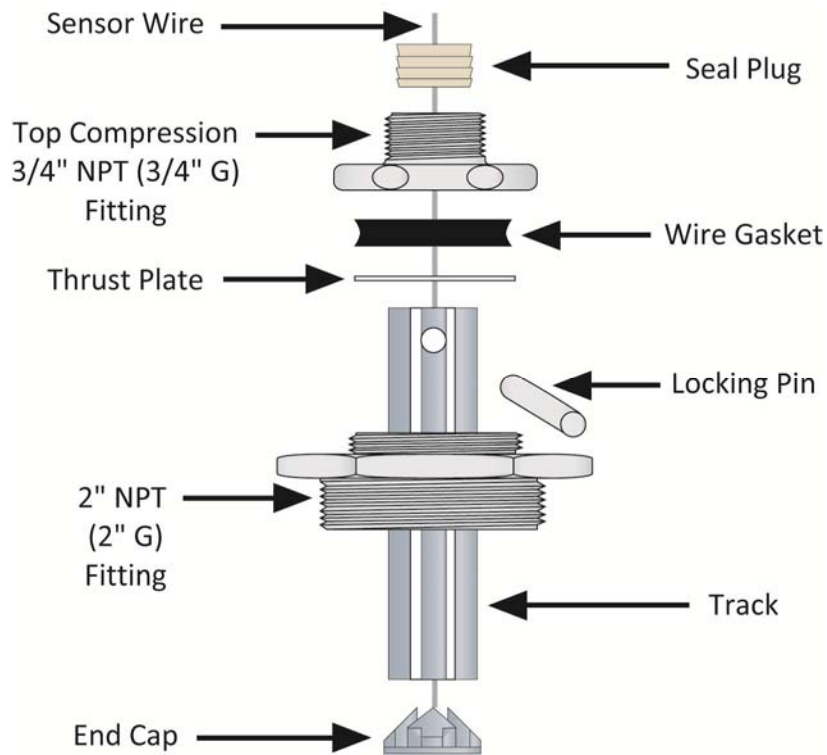
The sensors are attached to the track via a sensor car kit. The design of Smart Trak™ enables the end user to adjust the location of the sensor in the field for further fine tuning of the application. Simply loosen the locking nut on the sensor to be moved, slide the sensor along the track and then turn the nut back to lock into place.

NOTES:

- No more than a ¼ to ½ a turn to unlock and lock the nut is required.
- The cable for the sensor is designed to be submersed, is made of the same material as the sensor.
- Sensors can easily be raised from their original position, but may not be lowered because of pre-cut cable lengths.
- For systems ordered with both switches positioned at the bottom of the track (A, B and C-dimensions are all the same), it does not matter which switch is the high and which is the low. The controller logic looks for both switches to be either WET or DRY before the relay switches. The switches can actually be reversed and the system will still be functional.
- If needed, the excess cable may be looped outside of the track with no effect on the systems performance.



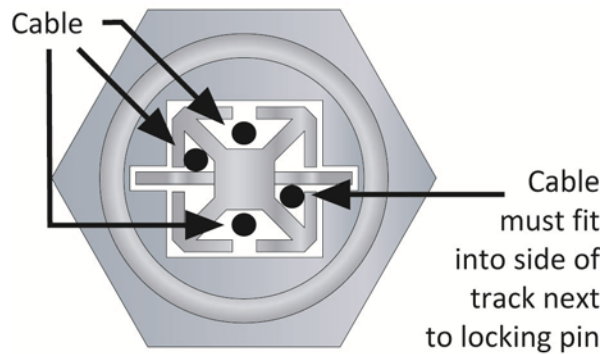
Smart Trak™ Assembly Drawing (Side View) Inventory:



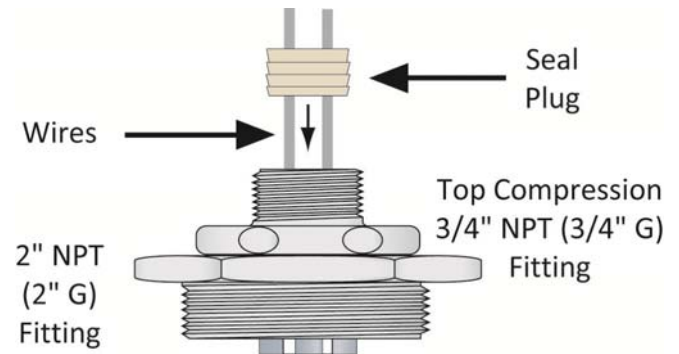
Inventory:

- One Smart Trak™ kit (LM10-1__1) includes the following parts:
- 1 x Seal Plug
- 1 x Top compression fitting
- 1 x Wire gasket
- 1 x Thrust Plate
- 1 x Locking pin
- 1 x 2" NPT fitting
- 1 x Track
- 1 x End cap
- 2 x Wire retainer clips (not shown)

Smart Trak™ Assembly Drawing (Top View):



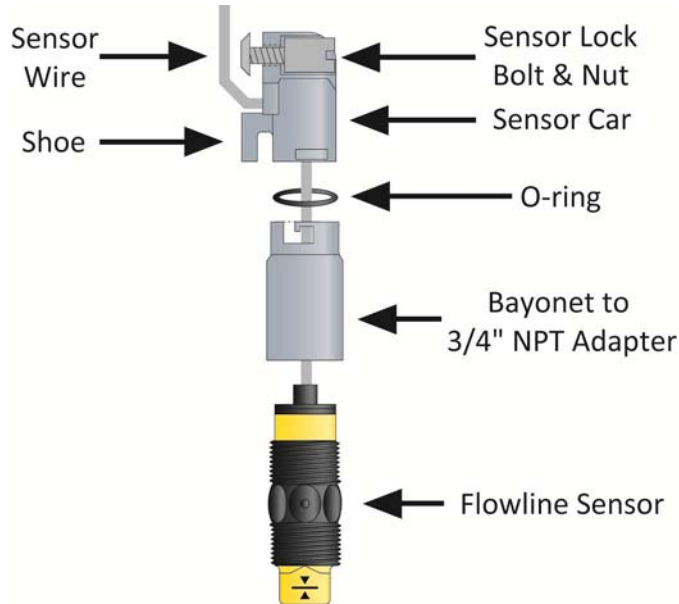
Seal Plug Assembly Drawing (Side View):



SENSOR CAR AND BAYONET ADAPTER:

The sensor car assembly is the heart of the Smart Trak™ system. It slides in the grooves of the track, and is locked into position by a plastic bolt and screw. The bayonet to 3/4" NPT adapter has a female 3/4" NPT fitting on one end where the sensor (not included) will screw in, and a bayonet fitting on the other end that attaches it onto the sensor car with a slight turn, with an O-ring in-between to provide tension for the push-and-turn connection.

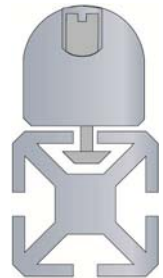
Switch Car Kit Assembly Drawing (Side View)



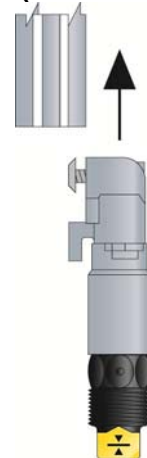
Inventory:

- One switch car kit (LM30-1001) consists of the following parts:
- 1 x Locking bolt
 - 1 x Locking Nut
 - 1 x Sensor car
 - 1 x O-ring
 - 1 x Bayonet to 3/4" NPT adapter

Switch Car Kit to Smart Trak™ (Top View)



Switch Car Kit to Smart Trak™ (Side View)

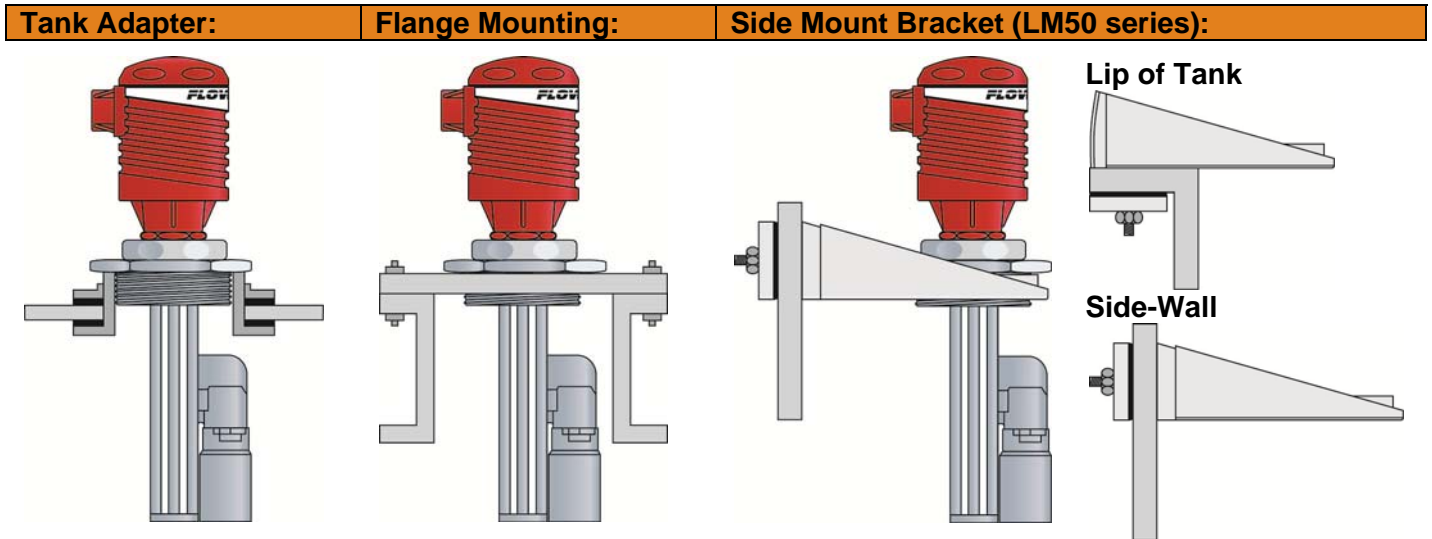


DETERMINE THE PROPER WIRE LENGTH:

Don't make the mistake of trimming the sensor wires too short before the process is tested. If the sensors might need to be lowered in the future, leave sufficient slack in the wires to allow for future adjustment. This extra wire may be stored in the bottom of the terminal strip housing, or elsewhere above the compression fitting.

SMART TRAK™, IN-TANK INSTALLATION:

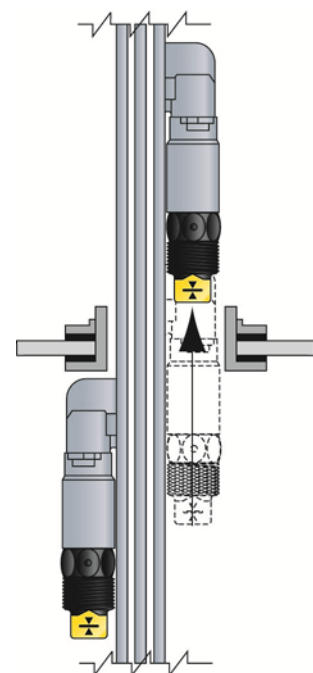
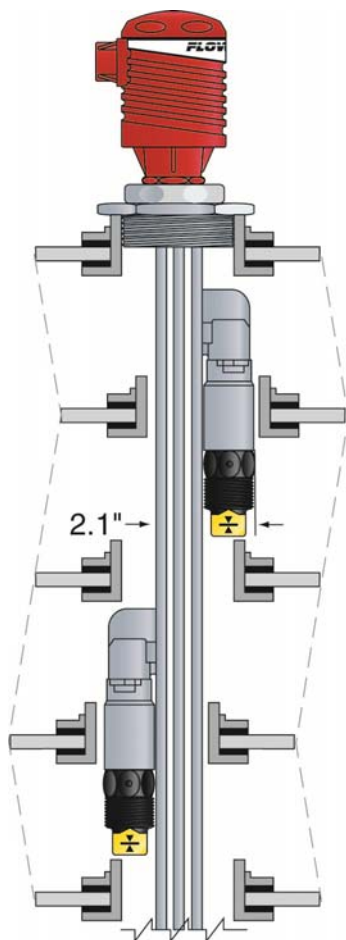
Flowline's Smart Trak™ mounting system is an in-tank fitting, which enables users to install any technology, along the entire length of track. Smart Trak™ may be installed thru the top wall of any tank or flange, using a standard 2" NPT tank adapter or blind flange. If tank top is not available, Flowline's side mount bracket, LM50-1001, enables Smart Trak™ to be installed directly to the side wall or lip of the tank.



SMART TRAK™, INSTALLATION:

The Smart Trak™ with Compact Junction Box assembly is designed to be installed through a 2" NPT (2" G) thread. The level switches will be staggered through the fitting for installation.

A key feature of Smart Trak™ is the adjustability of the level switches. When two level switches are placed close together, one of the switches will need to be moved to allow for the switches to be staggered into the installation fitting. Once installed, the level switch can be returned to its required position.



GENERAL:

The Smart Trak™ with Compact Junction Box requires no periodic maintenance except cleaning as required. It is the responsibility of the user to determine the appropriate maintenance schedule, based on the specific characteristics of the application liquids.

CLEANING PROCEDURE:

1. **Power:** Make Sure that all power to the sensor, controller and/or power supply is completely disconnected.
2. **Sensor Removal:** Make sure that the tank is in a state where it is safe to remove the sensors. Carefully, remove the Smart Trak™ from the installation.
3. **Cleaning the Sensor:** Use a soft bristle brush and mild detergent, carefully wash the Smart Trak™. Do not use harsh abrasives such as steel wool or sandpaper, which might damage the surface sensor. Do not use incompatible solvents which may damage the sensor's PP or Ryton plastic body.
4. **Sensor Installation:** Follow the appropriate steps of installation as outlined in the installation section of this manual.

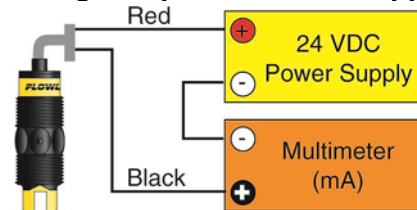
CONTROLLER LOGIC:

1. **Power LED:** Make sure the Green power LED is On when power is supplied to the controller.
2. **Input LED(s):** The input LED(s) on the controller will be Amber when the switch(es) is/are wet and Off when the switch(es) is/are dry. **Note:** see Step 5 regarding reed switches. If the LED's are not switching the input LED, test the level switch.
3. **Relays:** When both inputs are wet (Amber LED's On), the relay will be energized (Red LED On). After that, if one switch becomes dry, the relay will remain energized. Only when both switches are dry (both amber LED's Off) will the controller de-energize the relay. The relay will not energize again until both switches are wet. See the Relay Latch Logic Chart below for further explanation.

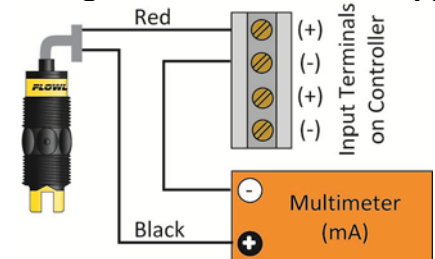
CURRENT TEST (ULTRASONIC AND VIBRATION ONLY):

Used to verify if the sensor is indicating a wet or dry condition. This test uses only two wires (Red and Black). The sensor draws 5 mA (ultrasonic) or 8 mA (vibration) when it is dry, and 22 mA when wet. The White and Green wires are not used.

Using a Separate Power Supply



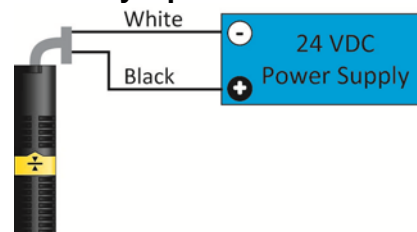
Using Controller's Power Supply



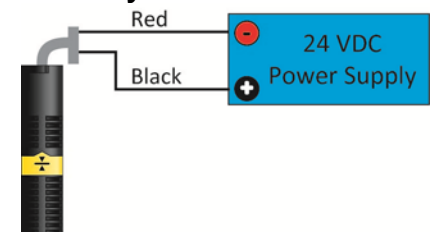
CONTACT TEST (BUOYANCY ONLY):

Used to verify if the reed switch is switching between dry (open) and wet (closed). Check for continuity across Black and White (open for dry and closed for wet). Checking across Black and Red will result in a closed when dry and open when wet condition.

Normally Open Switch



Normally Closed Switch



TROUBLESHOOTING:

PROBLEM	SOLUTION
Relay switches only from one input.	Latch is turned OFF. Flip the latch switch to turn ON. If Latch is ON, then check the input LEDs to make sure they are switching ON and OFF as the level changes. If the LEDs do not turn ON and OFF, the either the sensor is not correctly wired or the sensor is not working.
Pump or Valve is supposed to start, but it does not.	First, check to make sure the input LEDs are both in the same state (both ON or both OFF). If not, check wiring to each sensor. Second, check status of Relay LED. If incorrect, flip the Invert switch to change the relay state.
Pump or Valve is supposed to stop, but it does not.	First, check to make sure the input LEDs are both in the same state (both ON or both OFF). If not, check wiring to each sensor. Second, check status of Relay LED. If incorrect, flip the Invert switch to change the relay state.
Controller is powered, but nothing happens.	First check the Power LED to make sure it is Green. If not, check the wiring, power and make sure the terminal is seated correctly over the 6-pins.

WARRANTY

Flowline warrants to the original purchaser of its products that such products will be free from defects in material and workmanship under normal use and service in accordance with instructions furnished by Flowline for a period of two years from the date of manufacture of such products. Flowline's obligation under this warranty is solely and exclusively limited to the repair or replacement, at Flowline's option, of the products or components, which Flowline's examination determines to its satisfaction to be defective in material or workmanship within the warranty period. Flowline must be notified pursuant to the instructions below of any claim under this warranty within thirty (30) days of any claimed lack of conformity of the product. Any product repaired under this warranty will be warranted only for the remainder of the original warranty period. Any product provided as a replacement under this warranty will be warranted for the full two years from the date of manufacture.

RETURNS

Products cannot be returned to Flowline without Flowline's prior authorization. To return a product that is thought to be defective, go to flowline.com, and submit a customer return (MRA) request form and follow the instructions therein. All warranty and non-warranty product returns to Flowline must be shipped prepaid and insured. Flowline will not be responsible for any products lost or damaged in shipment.

LIMITATIONS

This warranty does not apply to products which: 1) are beyond the warranty period or are products for which the original purchaser does not follow the warranty procedures outlined above; 2) have been subjected to electrical, mechanical or chemical damage due to improper, accidental or negligent use; 3) have been modified or altered; 4) anyone other than service personnel authorized by Flowline have attempted to repair; 5) have been involved in accidents or natural disasters; or 6) are damaged during return shipment to Flowline. Flowline reserves the right to unilaterally waive this warranty and dispose of any product returned to Flowline where: 1) there is evidence of a potentially hazardous material present with the product; or 2) the product has remained unclaimed at Flowline for more than 30 days after Flowline has dutifully requested disposition. This warranty contains the sole express warranty made by Flowline in connection with its products. **ALL IMPLIED WARRANTIES, INCLUDING WITHOUT LIMITATION, THE WARRANTIES OF MERCHANTABILITY AND FITNESS FOR A PARTICULAR PURPOSE, ARE EXPRESSLY DISCLAIMED.** The remedies of repair or replacement as stated above are the exclusive remedies for the breach of this warranty. **IN NO EVENT SHALL FLOWLINE BE LIABLE FOR ANY INCIDENTAL OR CONSEQUENTIAL DAMAGES OF ANY KIND INCLUDING PERSONAL OR REAL PROPERTY OR FOR INJURY TO ANY PERSON. THIS WARRANTY CONSTITUTES THE FINAL, COMPLETE AND EXCLUSIVE STATEMENT OF WARRANTY TERMS AND NO PERSON IS AUTHORIZED TO MAKE ANY OTHER WARRANTIES OR REPRESENTATIONS ON BEHALF OF FLOWLINE.** This warranty will be interpreted pursuant to the laws of the State of California. If any portion of this warranty is held to be invalid or unenforceable for any reason, such finding will not invalidate any other provision of this warranty.

For complete product documentation, video training, and technical support, go to flowline.com.
For phone support, call 562-598-3015 from 8am to 5pm PST, Mon - Fri.
(Please make sure you have the Part and Serial number available.)