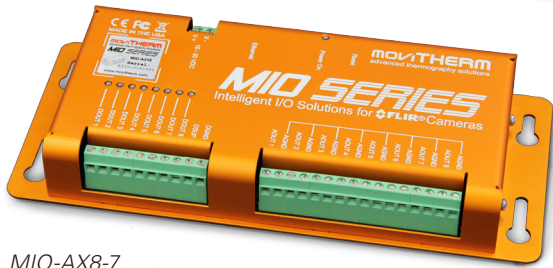


FLIR MIO-AX8™

I/O Solutions for FLIR AX8 Thermal Cameras

MIO-AX8-1



MIO-AX8-7



FLIR AX8

The MIO Series Intelligent I/O solutions are designed to turn FLIR thermal imaging temperature sensors into complete remote monitoring systems. Easy to set up and easy to configure, the MIO Series is your remote monitoring solution for process control, condition monitoring, and fire prevention.

The MIO Series is an intelligent module that can be easily configured via the built-in web server. Once connected with up to seven FLIR thermal imaging temperature sensors, the MIO module can target designated regions or areas of interest (ROI) and start monitoring. The module can be programmed through the web server to alarm when a temperature threshold is breached, updating in real time. The MIO can also output an analog 4 to 20 mA current loop signal per each region of interest, providing the user with process control options.

Key features

- Compatible with FLIR® AX8 Cameras
- Monitor 1 to 7 Cameras
- Configure Alarms via built-in Web Server
- Digital Outputs (24 VDC)
- 4-20 mA Outputs
- Ethernet Connectivity

Typical applications

- Critical Vessel Monitoring
- Condition Monitoring
- Process Monitoring
- Early Fire Detection

FLIR AX8

FLIR AX8 is a thermal sensor with imaging capabilities. Combining thermal and visual cameras in a small, affordable package, the AX8 provides continuous temperature monitoring and alarming for critical electrical and mechanical equipment.

The AX8 helps you guard against unplanned outages, service interruptions, and equipment failure. You'll get the benefits of continuous condition monitoring and hot spot detection without the need for periodic manual scans.

Compact and easy to install, AX8 provides continuous monitoring of electrical cabinets, process and manufacturing areas, data centers, energy generation and distribution, transportation and mass transit, storage facilities and refrigeration warehouses.

Automatic analysis and alarms

With its streaming video output, the AX8 not only gives you live video of every installation, but it also provides automated alarming when pre-set temperature thresholds are exceeded as well as temperature trend analysis.

Industrial protocol

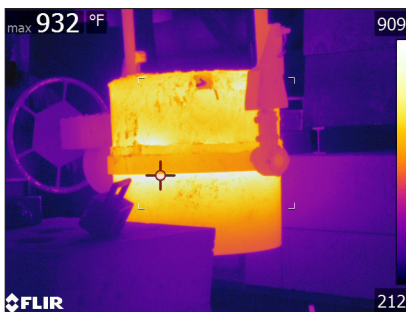
Since FLIR AX8 is Ethernet/IP and Modbus TCP compliant analysis and alarm results can easily be shared to a PLC. Digital inputs/outputs are available for alarms and control of external equipment. An image masking function allows you to select only the relevant part of the image for your analysis.

Compact & Easy to install

Combining thermal and visual cameras in a small, affordable package, the AX8 measures only 54 x 25 x 95 mm, making it easy to install in space-constrained areas for uninterrupted condition monitoring of critical electrical and mechanical equipment.



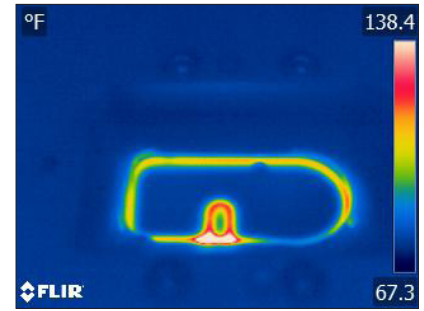
Critical vessel monitoring



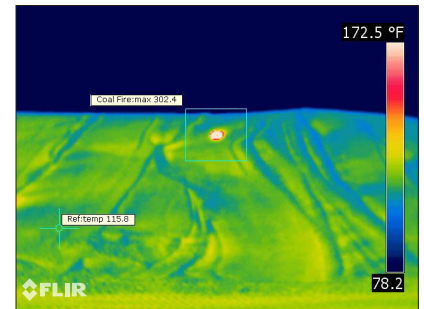
Condition monitoring

Technical Specifications

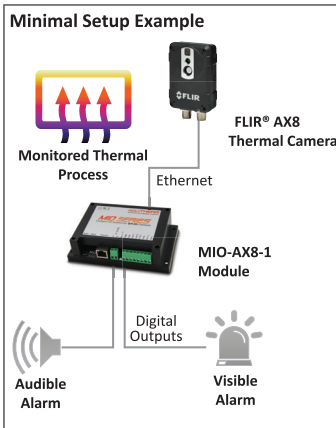
Model	MIO-AX8-1	MIO-AX8-7
Part number	T130086	T130087
Product specifications		
Maximum Cameras Supported	1	7
Ethernet Connection	100Base-T	100Base-T
Communication Protocol	Modbus TCP/IP	Modbus TCP/IP
4-20 mA Transmitter Channels	2 CH, Loop Powered, Isolated	8 CH, Loop Powered, Isolated
Digital Output Channels	2	8
Digital Output Current	0.5A per Channel, 1.5A All Channels	0.5A per Channel, 1.5A All Channels
Digital Output Voltage	10-30 VDC	10-30 VDC
Power Supply Voltage	24 VDC	24 VDC
Maximum Power Consumption	3 W	7 W
Dimensions	5.7 x 3.6 x 1.6 in (145 x 90 x 40 mm)	8.8 x 3.9 x 1.2 in (223 x 99 x 31 mm)
Weight	0.5 lbs (0.23 kg)	0.7 lbs (0.32 kg)
Enclosure Material	ABS	Anodized Aluminum
Shipping Information		
Packaging Type	Cardboard box	Cardboard box
List of Contents	MIO-AX8-1 Unit Din Rail Mountable Manual on USB drive	MIO-AX8-7 Unit Manual on USB drive Din Rail Adapter Clip
Packaging Weight	0.66 lbs (0.3 kg)	0.84 lbs (0.38 kg)
Packaging Size	7.125 x 4.4375 x 2 in (181 x 113 x 50 mm)	8.875 x 4.125 x 1.375 in (226 x 105 x 35 mm)
Country of Origin	USA	USA



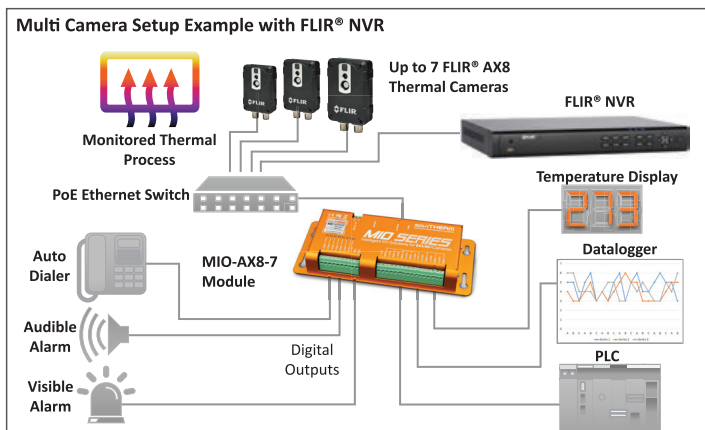
Process monitoring



Fire detection



Example 1: Basic Thermal Monitoring with alarms using the MIO-AX8-1.



Example 2: Advanced Multi-camera Thermal Monitoring with alarms, automated notification, datalogging, PLC connectivity and real-time video archiving using the MIO-AX8-7.

PORTLAND
Corporate Headquarters
FLIR Systems, Inc.
27700 SW Parkway Ave.
Wilsonville, OR 97070
USA
PH: +1 866.477.3687

EUROPE
FLIR Systems
Luxemburgstraat 2
2321 Meer
Belgium
PH: +32 (0) 3665 5100

NASHUA
FLIR Systems, Inc.
9 Townsend West
Nashua, NH 03063
USA
PH: +1 866.477.3687

LATIN AMERICA
FLIR Systems Brasil
Av. Antonio Bardella, 320
Sorocaba, SP 18085-852
Brasil
PH: +55 15 3238 7080

CANADA
FLIR Systems, Ltd.
920 Sheldon Court
Burlington, ON L7L 5K6
Canada
PH: +1 800.613.0507

CHINA
FLIR Systems Co., Ltd
Rm 1613-16, Tower II
Grand Central Plaza
138 Shatin Rural
Committee Rd.
Shatin, New Territories
Hong Kong
PH: +852 2792 8955

www.flir.com
NASDAQ: FLIR

Equipment described herein may require US Government authorization for export purposes. Diversion contrary to US law is prohibited. Imagery for illustration purposes only. Specifications are subject to change without notice. ©2017 FLIR Systems, Inc. All rights reserved. 17-0047