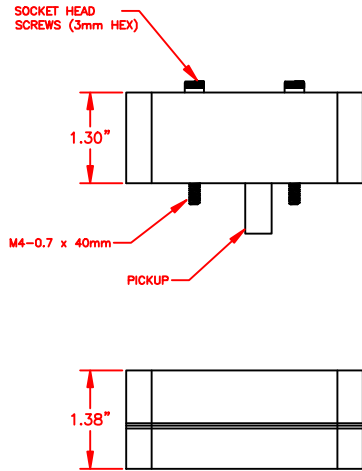
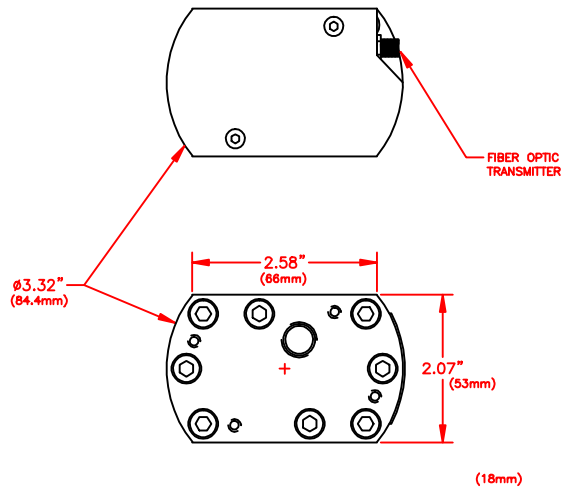


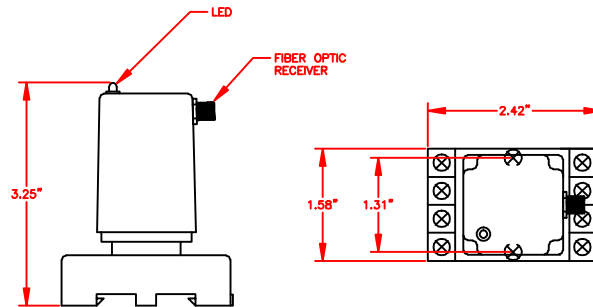
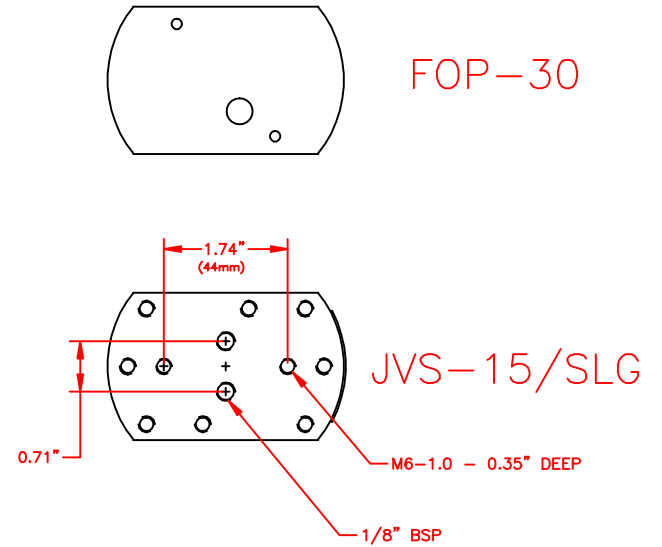
SIDE VIEW



TOP VIEW



BOTTOM VIEW



E	REVISED COMPANY LOGO	01/06/12	JP
D	CHANGED TEMPLATE AND SOME TEXT	06/06/08	SH
REV.	DESCRIPTION OF CHANGE	DATE	BY

THIS PRINT, INCLUDING THE INFORMATION CONTAINED IN IT, IS THE PROPERTY OF AW-LAKE COMPANY. IT IS CONSIDERED PROPRIETARY IN NATURE AND MAY NOT BE USED OR DISCLOSED OUTSIDE OF AW-LAKE COMPANY, EXCEPT UNDER PRIOR WRITTEN AGREEMENT. ANY MODIFICATIONS MADE TO OR COMMENTS WRITTEN ON THIS DRAWING BY UNAUTHORIZED PERSONNEL WILL VOID THIS DRAWING. ALL DIMENSIONS SHOWN ARE SUBJECT TO CHANGE WITHOUT NOTICE.

8809 INDUSTRIAL DRIVE  
FRANKSVILLE, WI 53126  
TEL. # (262) 884-9800  
FAX. # (262) 884-9810

**AW-LAKE COMPANY**  
A TESI GROUP COMPANY

TITLE: FOP-30 SYSTEM DIMENSIONS

DRAWING NUMBER: FOP3901	PART NUMBER: —
DATE: 06/06/08	REV: E DRAWN BY: S. HONSBERGER
CHECKED BY: —, —,	PAGE 1 OF 1 SCALE: NONE