

# Accessories to the Weatherproof Telephone ResistTel



## Übersicht

The Secondary Receiver Set is used for connection to the weatherproof telephones ResistTel and ResistTel MB. The receiver enables a third person to take part in telephone conversation. Moreover, it can be used to reduce disturbing environmental noises during a telephone call.

The Headset may be connected to all weatherproof telephones from the ResistTel line to improve communication in noisy environments, protect the user from harmful environmental noise and enable telephone calls while carrying out tasks that require the use of both hands.

The Loudspeaker Set is used to equip the weatherproof telephones ResistTel and ResistTel MB with a loudspeaker. It allows for an extra loud playback of the ring tone and the receive signal in the operating modes 'open listening' and 'handsfree'.

The Headset and Secondary Receiver Set both include the mounting bracket as well as the required screws and cable glands for an installation at the telephone. Cable glands are included in all sets.

## Features

- Ingress protection IP54
- Secondary receiver enables a third person to take part in a telephone conversation
- Headset with approx. 15 m connection cable allows making telephone calls while carrying out tasks that require the use of both hands
- Loudspeaker comprises operating modes open listening and handsfree

## Technical data secondary receiver

Housing material	Polyurethan-Elastomer
Ingress protection	IP 54
Dimensions	Approx. 100 x 68 x 50 mm
Weight	Approx. 0,2 kg
Handset cable	Spiral cord, 2-pole
Temperature range	-20 °C to +60 °C

## Technical data headset

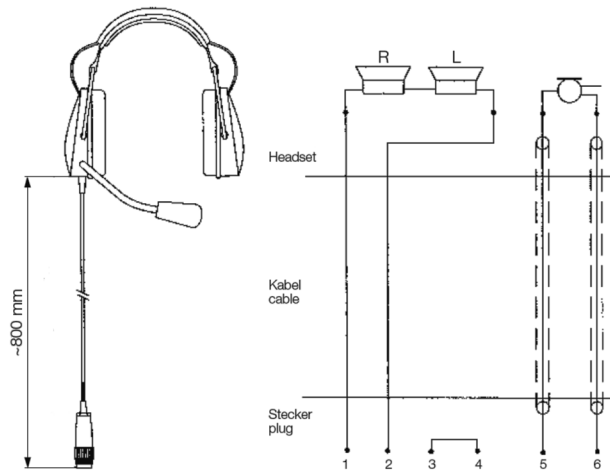
Connection cable	80 cm cord with connecting plug +14 m cord
Microphone	Electret noise-cancelling microphone with windshield and flexible goose-neck
Earpiece	Dynamic capsule
Ingress protection	IP54
Temperature range	-30 °C to +70 °C

## Technical data loudspeaker

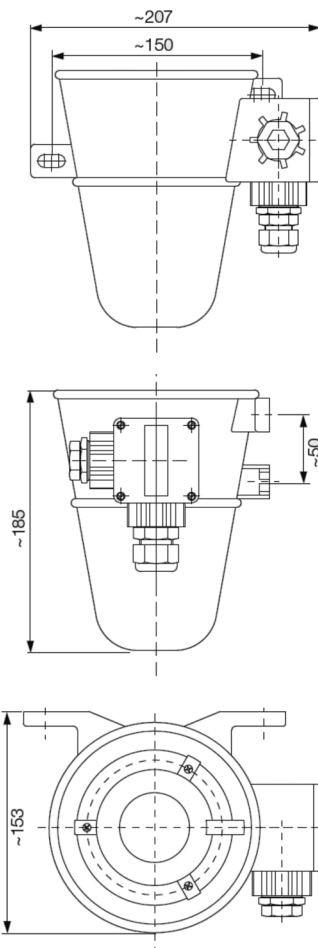
Housing material	Polyamid
Ingress protection	IP 54
Protection class	II
Dimensions	Approx. 153 x 185 x 193 mm
Weight	Approx. 1.1 kg
Connection terminals	Up to 4 mm <sup>2</sup> starr,
Terminal capacity	Up to 2,5 mm <sup>2</sup> flexibel
Cable glands	M20 x 1,5 for line diamters of 5-9 mm
Blind plugs	M20 x 1,5
Rated capacity	300 mW
Max. volume with ResistTel (in 1 m distance)	Ring tone max. 93 dB(A) Open listening/handsfree 81 dB(A)
Impedance	45 Ω
Temperature range	-25 °C to +60 °C

## Übersicht (Angaben in mm)

### Headset



### Loudspeaker



## Ordering data

Designation	Article number
Secondary Receiver Set	FHF 112 643 03
Headset	FHF 112 643 04
Loudspeaker Set	FHF 112 643 05

FHF Funke + Huster Fernsig GmbH  
 Gewerbeallee 15-19  
 D-45478 Mülheim an der Ruhr  
 Phone +49-208-82 68-0  
 Telefax +49-208-82 68-286  
<http://www.fhf.de>  
 E-mail: info@fhf.de

© 2017 Eaton  
 All rights reserved.  
 Publication No. DSFH016EN/B  
 August 2017

Eaton is a registered trademark.

All other trademarks are property of their respective owners.

**EATON**  
 Powering Business Worldwide

All specifications, dimensions, weights and tolerances are nominal (typical) and Eaton reserve the right to vary all data without prior notice. No liability is accepted for any consequence of use.