



## Model FC20 Flow Conditioner for Gas Applications

### Benefits

- Reduces the need for long straight pipe runs
- Creates proper gas flow profile from irregular flow profiles
- Negligible pressure drop

### Great Design

- Precision, laser-cut design
- 316 stainless steel material
- Available in 12 sizes for schedule 40 pipes: 1.5", 2", 2.5", 3", 4", 6", 8", 10", 12", 14", 16", and 18"

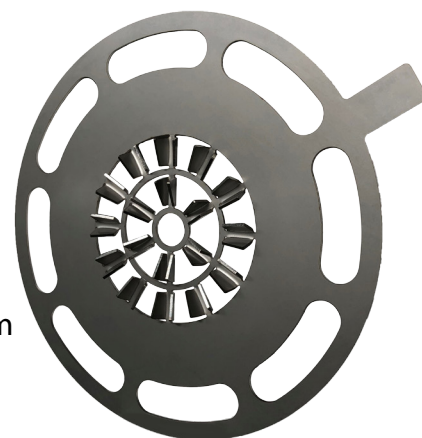
### Easy Installation

- Use with insertion style flow meters
- Install upstream from the flow meter probe between 150 lb. flanges
- Easy to center in the pipe by aligning the outer edge of the flow conditioner with the outer edge of flange.

# FC20

## Flow Conditioner for use with Insertion Style Flow Meters

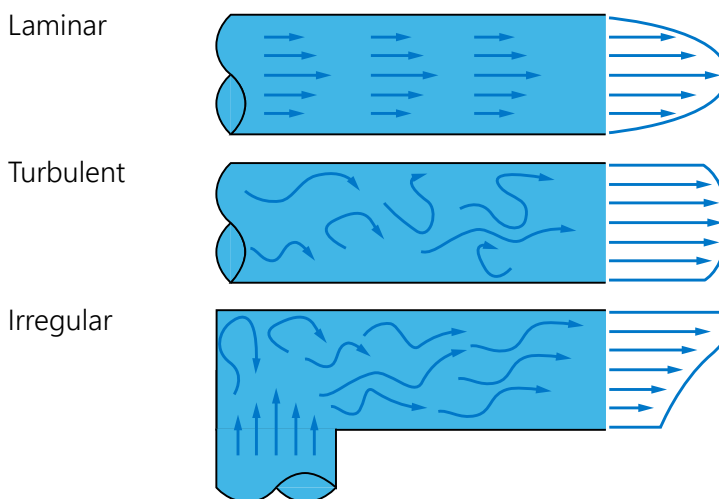
Flow conditioners installed upstream of flow meters reduce the need for long, straight pipe runs.



### Installation Solutions for Limited Pipe Runs

Flow meter accuracy is often dependent on achieving a uniform flow profile near the center of the pipe. Distortion and swirl are disturbances in flow that can be remedied either by extending the length of space between the cause of the disturbance and the sensing element (increasing straight pipe runs) or by adding a flow conditioner to correct the disturbance.

Figure 1: Flow Profiles



In some applications, space isn't available for enough upstream or downstream straight pipe. In these cases, the FC20 flow conditioner can be a solution.

Insertion thermal mass flow meters are easy to install and require minimal straight pipe runs. In the past, the only option to reducing straight pipe runs for very tight spaces was to order inline flow meters which have a flow body and built-in flow conditioner. To give customers more flexibility, Fox Thermal has developed the FC20 flow conditioner for use with insertion style flow meters.

Each flow meter is calibrated with the flow conditioner 2D upstream as shown in Figure 3 to ensure the highest accuracy.

**FOX THERMAL**  
 399 RESERVATION ROAD  
 MARINA, CA 93933  
 PHONE: 831-384-4300  
 FAX: 831-384-4312  
 sales@foxthermal.com  
 www.foxthermal.com

## PERFORMANCE

Table 1: Air Pressure Drop Data - Sizes 1.5" to 6" (1.61 to 6.065 pipe ID)

Flow Rate		FC20 Sizes in inches and Pipe Inner Diameters (Schedule 40 Pipes) in Inches											
		1.5" (1.61 ID)		2" (2.067 ID)		2.5" (2.469 ID)		3" (3.068 ID)		4" (4.026 ID)		6" (6.065 ID)	
m <sup>3</sup> /Hr	Ft <sup>3</sup> /Min	mBar	inH2O	mBar	inH2O	mBar	inH2O	mBar	inH2O	mBar	inH2O	mBar	inH2O
5	3	0.65	0.26										
10	6	0.68	0.27	0.65	0.26								
15	9	0.74	0.30	0.67	0.27	0.65	0.26						
20	12	0.83	0.33	0.71	0.28	0.27	0.27	0.65	0.26				
30	18	1.07	0.43	0.79	0.32	0.71	0.29	0.67	0.27	0.65	0.26		
40	24	1.40	0.56	0.92	0.37	0.77	0.31	0.69	0.28	0.65	0.26		
50	29	1.84	0.74	1.08	0.43	0.85	0.34	0.73	0.29	0.67	0.27		
60	35	2.37	0.95	1.27	0.51	0.95	0.38	0.77	0.31	0.68	0.27		
70	41	2.99	1.20	1.50	0.60	1.06	0.43	0.81	0.33	0.69	0.28	0.65	0.26
80	47	3.71	1.49	1.77	0.71	1.19	0.48	0.87	0.35	0.71	0.29	0.65	0.26
90	53	4.53	1.82	2.07	0.83	1.34	0.54	0.93	0.37	0.73	0.29	0.65	0.26
100	59	5.45	2.19	2.41	0.97	1.50	0.60	1.00	0.40	0.76	0.30	0.66	0.26
150	88	11.46	4.60	4.62	1.85	2.59	1.04	1.46	0.58	0.91	0.37	0.69	0.28
200	118	19.88	7.98	7.72	3.10	4.11	1.65	2.09	0.84	1.13	0.45	0.73	0.29
300	177	43.94	17.64	16.57	6.65	8.46	3.40	3.92	1.57	1.74	0.70	0.85	0.34
400	235	77.62	77.62	28.97	11.63	14.55	5.84	6.47	2.60	2.60	1.05	1.02	0.41
500	294			44.91	18.03	22.38	8.99	9.76	3.92	3.71	1.49	1.23	0.49
600	353			64.39	25.85	31.95	12.83	13.77	5.53	5.06	2.03	1.49	0.60
700	412			87.41	35.09	43.26	17.37	18.51	7.43	6.66	2.68	1.80	0.72
800	471					56.31	22.61	23.99	9.63	8.51	3.42	2.16	0.87
900	530					71.10	28.54	30.19	12.12	10.60	4.26	2.57	1.03
1000	589					87.63	35.18	37.12	14.90	12.94	5.19	3.02	1.21
1500	883							82.73	33.21	28.32	11.37	6.01	2.41
2000	1177									49.85	20.01	10.19	4.09
3000	1766											22.14	8.89
4000	2354											38.86	15.60
5000	2943											60.36	24.23

## PERFORMANCE

### Equation

$$dP = 0.01786 * KE + 0.6343$$

Error for 95% Confidence Interval: +/-25%

The pressure drop can be minimized when the flow profile requires less correction.

### Term Definitions

dP = Pressure Differential [mBar]

D = Actual Density [kg/m<sup>3</sup>]

V = Actual Average Velocity [m/s]

KE = Kinetic Energy = 0.5\*D\*V<sup>2</sup>

## INSTALLATION

### FC20 Orientation

Every FC20 has "UPSTREAM" etched into a tab extending out from the flow conditioner. This marker should be positioned parallel to the probe with the "UPSTREAM" etching facing toward the upstream portion of the pipe.

The FC20 is installed between two 150lb flanges. Gaskets (supplied by customer) should be placed on both sides of the flow conditioner to ensure a seal. See Figure 2 on the next page for proper installation orientation.

Please refer to document #109193 for further installation instructions.



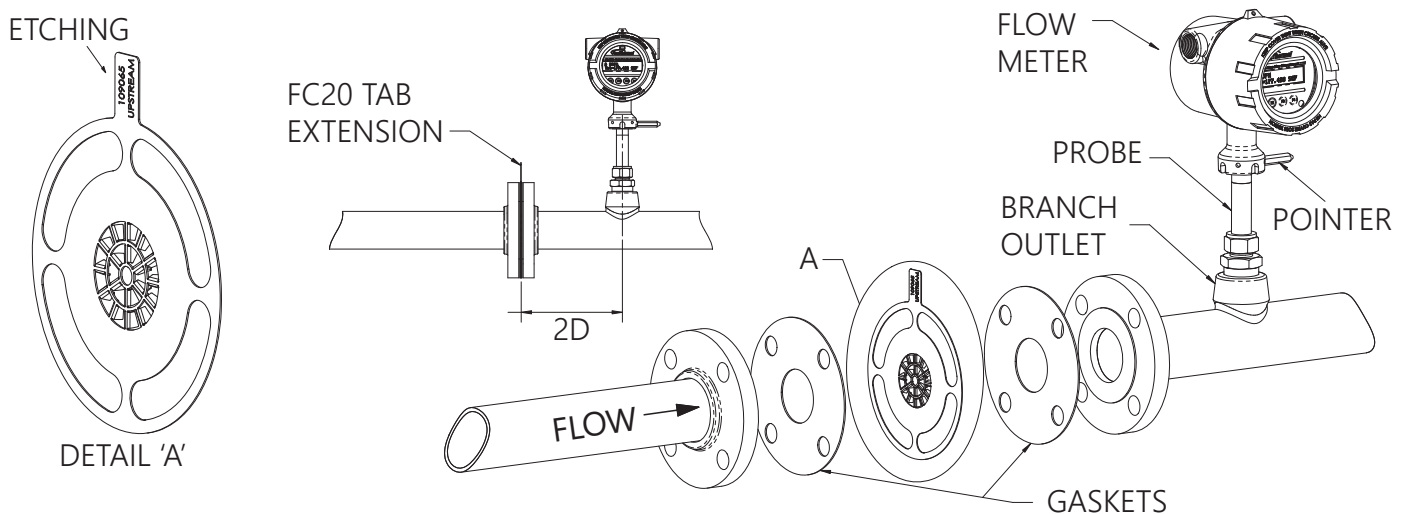
# PERFORMANCE

Table 2: Air Pressure Drop Data - Sizes 8" to 18" (7.981 to 17.25 pipe ID)

Flow Rate		FC20 Sizes in inches and Pipe Inner Diameters (Schedule 40 Pipes) in Inches											
		8" (7.981 ID)		10" (10.02 ID)		12" (11.94 ID)		14" (13.12 ID)		16" (15.00 ID)		18" (16.87 ID)	
m <sup>3</sup> /Hr	Ft <sup>3</sup> /Min	mBar	inH2O	mBar	inH2O	mBar	inH2O	mBar	inH2O	mBar	inH2O	mBar	inH2O
150	88	0.65	0.26										
200	118	0.67	0.27	0.65	0.26								
300	177	0.71	0.28	0.66	0.27	0.65	0.26						
400	235	0.76	0.31	0.69	0.28	0.66	0.26	0.65	0.26				
500	294	0.83	0.33	0.71	0.29	0.67	0.27	0.66	0.27	0.65	0.26		
600	353	0.92	0.37	0.75	0.30	0.69	0.28	0.67	0.27	0.66	0.26	0.65	0.26
700	412	1.02	0.41	0.79	0.32	0.71	0.29	0.69	0.28	0.66	0.27	0.65	0.26
800	471	1.14	0.46	0.84	0.34	0.73	0.29	0.70	0.28	0.67	0.27	0.66	0.26
900	530	1.28	0.51	0.89	0.36	0.76	0.31	0.72	0.29	0.68	0.27	0.66	0.27
1000	589	1.43	0.57	0.95	0.38	0.79	0.32	0.74	0.30	0.69	0.28	0.67	0.27
1500	883	2.43	0.97	1.36	0.54	0.99	0.40	0.87	0.35	0.77	0.31	0.72	0.29
2000	1177	3.82	1.53	1.92	0.77	1.26	0.50	1.05	0.42	0.87	0.35	0.78	0.31
3000	1766	7.81	3.13	3.52	1.41	2.04	0.82	1.58	0.63	1.17	0.47	0.96	0.39
4000	2354	13.38	5.37	5.77	2.31	3.13	1.26	2.31	0.93	1.59	0.64	1.22	0.49
5000	2943	20.55	8.25	8.65	3.47	4.53	1.82	3.26	1.31	2.13	0.85	1.55	0.62
6000	3531	29.32	11.77	12.18	4.89	6.25	2.51	4.41	1.77	2.79	1.12	1.95	0.78
7000	4120	39.68	15.93	16.35	6.56	8.27	3.32	5.77	2.32	3.56	1.43	2.42	0.97
8000	4709	51.63	20.73	21.16	8.49	10.61	4.26	7.35	2.95	4.46	1.79	2.97	1.19
9000	5297	65.17	26.16	26.61	10.68	13.26	5.32	9.13	3.67	5.48	2.20	3.59	1.44
10000	5886	80.31	32.24	32.70	13.13	16.22	6.51	11.12	4.47	6.61	2.65	4.29	1.72
15000	8829			72.79	29.22	35.71	14.34	24.23	9.73	14.08	5.65	8.85	3.55
20000	11772					62.99	25.29	42.59	17.10	24.54	9.85	15.24	6.12
30000	17657							95.03	38.15	54.43	21.85	33.49	13.45
40000	23543									96.27	38.65	59.05	23.71

# INSTALLATION

Figure 2: Orientation of FC20 Flow Conditioner



### Lateral Placement

To determine where to install the FC20 flow conditioner, the pipe size is important. FC20s require 5 diameters (5D) of upstream straight pipe. Also, the flow meter’s sensor should be 5D before any downstream disturbances. The distance between the FC20 flow conditioner and the flow meter’s sensor is 2D. The relationship between pipe size and pipe diameters is illustrated in Figure 3 with lengths listed in Table 3 below. If more total straight pipe run than the minimum is available, most of it should be used upstream. The pressure drop can be minimized when the flow profile requires less correction.

### Sizing

FC20s are available in 12 sizes for schedule 40 pipes:

1.5", 2", 2.5", 3", 4", 6", 8", 10", 12", 14", 16", and 18".

For smaller pipe sizes, an inline flow meter is recommended.

Figure 3: Straight Pipe Run Requirements

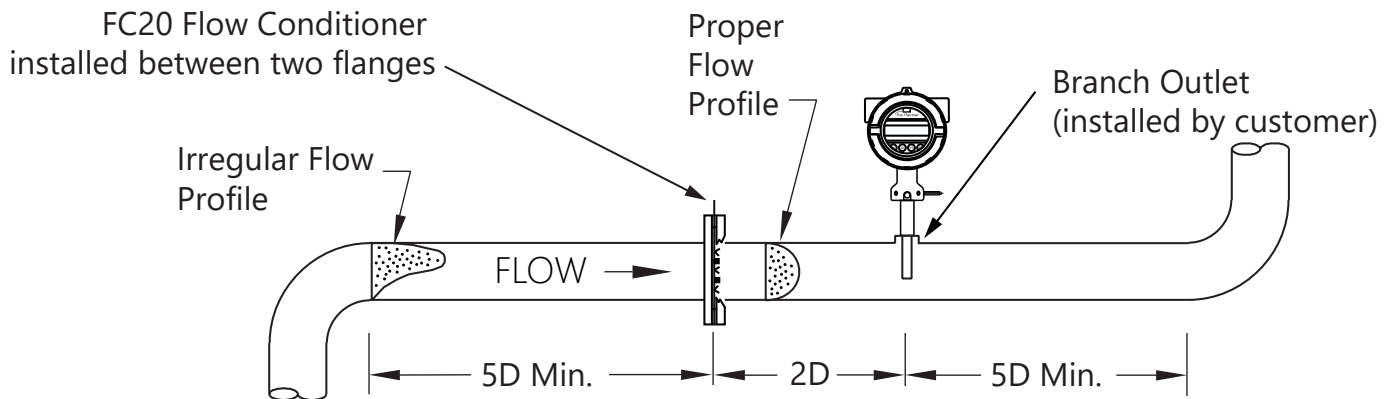


Table 3: Straight Pipe Run Requirements

Sch. 40 Pipe Size (inches)	Diameter Length	
	2D Inch (mm)	5D Minimum Inch (mm)
1.5	3.22 (82)	8 (203)
2	4.14 (105)	10 (254)
2.5	4.94 (125)	12 (305)
3	6.14 (156)	15 (381)
4	8.06 (205)	20 (508)
6	12.13 (308)	30 (762)
8	15.96 (405)	40 (1016)
10	20.04 (509)	50 (1270)
12	23.88 (607)	60 (1524)
14	26.24 (666)	66 (1676)
16	30.00 (762)	75 (1905)
18	33.75 (857)	84 (2133)

### TECH TIP

#### TECHNOLOGY COMPARISON STRAIGHT RUN REQUIREMENTS

*Compare Upstream & Downstream Straight Run Requirements for Common Flow Meter Technologies*

#### DP METERS

20 Upstream  
10 Downstream

#### VORTEX METERS

35 Upstream  
5 Downstream

#### TURBINE METERS

20 Upstream  
5 Downstream

#### ULTRASONIC METERS

10 - 20 Upstream  
10 - 20 Downstream