

# F11 Fieldbus Power Hub

## Power conditioner with terminators for fieldbus networks

- Built-in fieldbus power conditioning
- 5 fieldbus device ports
- 30mA current per device
- Up to 315mA total current
- Auxiliary port for expansion\*
- Complete with AC power supply
- Battery-pack option 5 fieldbus device ports



The Relcom Power Hub (F11) is the next generation of the popular Power Hub. Ideal for bench-tops, labs, demonstrations and test setups, the Power Hub is a mini fieldbus segment in a box—just add devices.

The Power Hub is a combined bulk power supply, fieldbus power conditioner, two built-in terminators, five ports for attaching devices (Device Ports), and an Auxiliary Port for expansion and connection of additional devices. It functions as a zero length homerun with spurs (star topology).

The Power Hub is powered by a plug-in wall transformer with an input voltage range of 100-240VAC (50-60Hz). Adapters are supplied with the transformer for four different country power outlets (North America, Europe, UK, and Australia).

Fieldbus devices can be connected to the Power Hub with shielded or unshielded twisted pair fieldbus cable. The controller (host), if present, is considered to be a device.

The Power Hub provides a minimum of 30mA of power-conditioned current for each Device Port. If the current needs of a fieldbus segment exceed the capability of a Device Port, the Auxiliary Port can also be used to provide additional power-conditioned current.

The Power Hub can supply up to 315mA of power-conditioned current for all Device Ports and the Auxiliary Port. The Power Hub can be mounted on a 35mm DIN rail. For applications where AC power is not available, the Power Hub can also be mounted on a battery pack (accessory FCS-A11) for fieldbus power in the field.

Current limiting SpurGuard™ protection for each Power Hub Device Port limits the current draw of an attached cable and device and protects against short circuits. A short circuit in a spur cable or device will not take down the entire segment. The remaining devices on the segment continue to operate normally.

Wire Connections to the Power Hub are made using pluggable screw terminal connectors. Pluggable connectors allow easy connecting, disconnecting, and moving of devices for reconfiguration, maintenance, and troubleshooting. Two securing screws on each connector ensure it stays in place.

To connect a device, cut and strip the +, -, and shield (S) wires, insert them into the terminals, and tighten the screw terminals. Plug the connector into a Device Port or the Auxiliary Port and tighten the securing screws.

A typical use for the Power Hub is to configure, precommission, test, or calibrate Fieldbus devices. In this case, the Fieldbus device and host device (Emerson 375 or 475, National Instruments Fieldbus interface, etc.) are connected to the Power Hub. No other components are required to have a functioning Fieldbus segment.

# MTL F11 Fieldbus Power Hub

September 2016

## SPECIFICATIONS

### ELECTRICAL

#### Device Port Rated Current

30mA

#### Total Current for all Device Ports and Auxiliary Port

315mA max. (for specified operation)

#### Device Port Short Circuit Protection

Continuous protection against damage

#### Maximum Fieldbus Cable Length

120 metres

#### Auxiliary Port Short Circuit Protection

Continuous protection against damage

#### Wall-mounted Bulk Power Supply

Input voltage: 100 - 240V ac, 50/60Hz

Output voltage: 24V dc (nominal)

### MECHANICAL

#### Fieldbus Connectors

Six sets, pluggable screw-terminal, with two securing screws

#### Mounting requirements

35mm DIN rail

#### Wire capacity

0.14 to 2.5mm<sup>2</sup>

#### Case material

Lexan polycarbonate

#### Temperature range

0° to +50°C

#### Weight

146g (nominal)

### PHYSICAL NETWORK

IEC 61158-2

Foundation™ fieldbus H1

Profibus PA

## ORDERING INFORMATION

Fieldbus Power Hub	F11
Battery Pack (Power Hub power in the field)	FCS-A11
Heavy-duty DIN rail end stop	FCS-A06
35mm DIN rail, aluminum, 1 meter	FCS-A01

### Wall Power Supply and Interchangeable Power Outlet Adapters (included with F11)

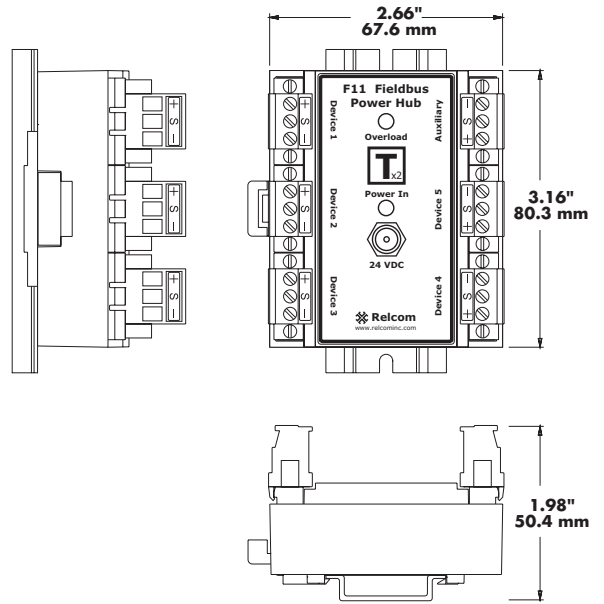


Powering Business Worldwide

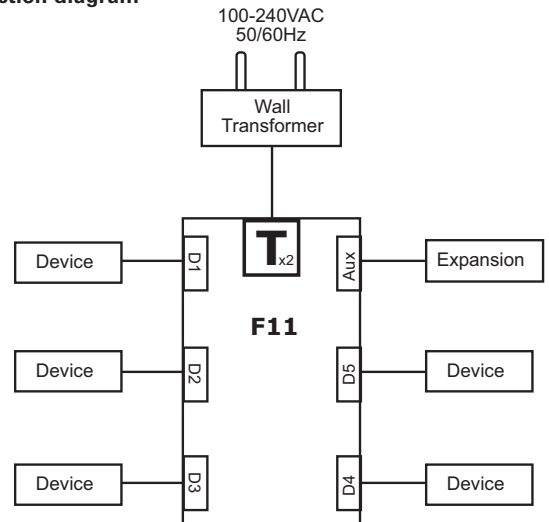
**Eaton Electric Limited,**  
Great Marlings, Butterfield, Luton  
Beds, LU2 8DL, UK.  
Tel: + 44 (0)1582 723633 Fax: + 44 (0)1582 422283  
E-mail: [mtlenquiry@eaton.com](mailto:mtlenquiry@eaton.com)  
[www.mtl-inst.com](http://www.mtl-inst.com)

© 2016 Eaton  
All Rights Reserved  
Publication No. EPS F11 rev 2 230916  
September 2016

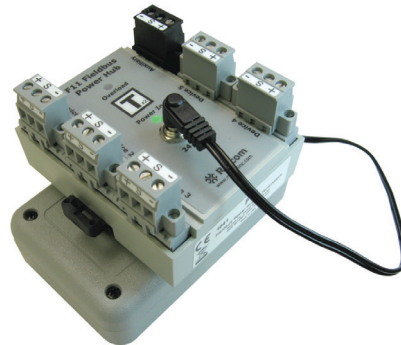
## CASE DIMENSIONS



## Connection diagram



## F11 with Optional Battery Pack



**EUROPE (EMEA):**  
+44 (0)1582 723633  
[mtlenquiry@eaton.com](mailto:mtlenquiry@eaton.com)

**THE AMERICAS:**  
+1 800 835 7075  
[mtl-us-info@eaton.com](mailto:mtl-us-info@eaton.com)

**ASIA-PACIFIC:**  
+65 6 645 9888  
[sales.mtlsing@eaton.com](mailto:sales.mtlsing@eaton.com)

The given data is only intended as a product description and should not be regarded as a legal warranty of properties or guarantee. In the interest of further technical developments, we reserve the right to make design changes.