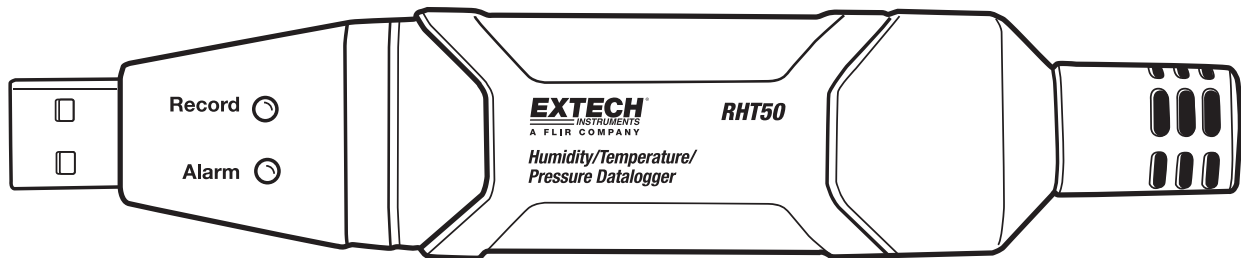


# User's Guide



## Humidity + Temperature + Pressure Datalogger

### Model RHT50



# Introduction

---

Congratulations on your purchase of the Relative Humidity / Temperature / Pressure Datalogger; this datalogger measures and stores up to 10,000 readings. The user can easily configure the logging rate, high/low alarm and start-mode. It also downloads the stored data by plugging the module into a PC USB port and running the supplied PC software. Data can then be graphed, printed and exported to other applications. The data logger is supplied with a 3.6V 1/2 'AA' lithium battery. This meter is shipped fully tested and calibrated and, with proper use, will provide years of reliable service.

# Features

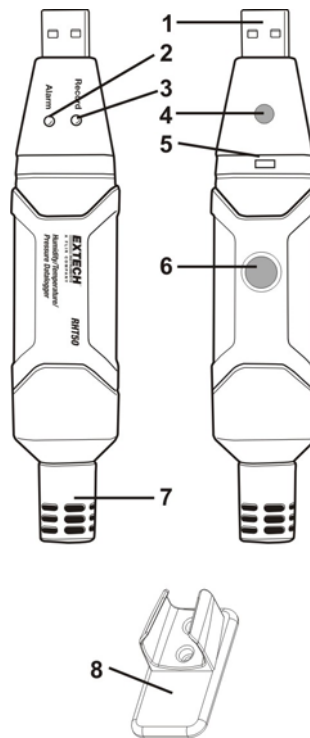
---

- Datalogger Memory stores 10,000 temperature, humidity and pressure readings
- Selectable data sampling rate: 1 second to 18 hours
- Manual and automatic datalogger start
- Status Indication via Red/Yellow LED and Green LED
- USB Interface for Set-up and Data Download
- User-Programmable Alarm Thresholds
- Long battery life

# Description

---

1. USB connector
2. Alarm LED (red/yellow)
3. Record LED (green)
4. Start button
5. Battery cover latch
6. Tripod mount
7. RH, Temperature, Pressure sensors
8. Mounting bracket



# Operation

---

## INSTALLING THE GRAPHING SOFTWARE

Install the supplied Windows™ PC Datalogger Software by placing the supplied program disk in the PC's CD-ROM drive. If the installation program does not automatically open and provide on-screen prompts, open and browse the CD-ROM drive, then find and double-click on the SETUP.EXE file included on the program disk. Follow the on-screen prompts to complete the installation.

Before running the graphing software, please connect the RHT50 to the PC and install the USB Driver software as described in the next section.

## INSTALLING THE USB DRIVER









Plug the RHT50 into an available USB port on the PC. If this is the first time that the RHT50 has been connected to the particular port on the PC, the following screen will appear:



Make sure the program disk is still in the PC CD-ROM drive. Select the 'recommended' installation and follow the on-screen prompts to complete the driver installation. If this is a repeat connection of the RHT50 to the USB port, the driver installation process will be automatically skipped.

Refer to the HELP utility in the software program for detailed instructions on using the software to download and process recorded data. The LED status guide provided below is offered for easy reference.

# LED STATUS GUIDE

LEDs		Meaning	
Record	Alarm		
		No LED No LED No LED	Logging not started Logging stopped * Battery discharged **
 Green		Green flash (single): Green flashes (five) Green flashes (six)	Logging indication ***** Reset Start Logging
	 Red	Red double flash every 30 sec. Red single flash Red flashes (six)	Low battery *** Logging, alarm event ***** Stop logging *
	 Yellow	Yellow flash every 20 seconds	Memory full *

- \* Connect the datalogger to the PC and download data
- \*\* Replace the battery, data will not be lost
- \*\*\* Logging will stop, data will remain in memory
- \*\*\*\* Occurs if an alarm is exceeded
- \*\*\*\*\* Flash cycle time is set from the software

# Specifications

	Range	Accuracy
<b>Relative Humidity</b>	0 to 20 and 80 to 100%	±5.0%
	20 to 80%	±3.5%
<b>Temperature</b>	-40 to 32°F and 104°F to 158°F -40 to 0°C and +40 to +70°C	±3.6°F/±2°C
	32°F to 104°F/0°C to +40°C	±1.8°F/±1°C
<b>Pressure</b>	950 to 1050hPa	Accuracy: ±0.25%FSO @ (25°C) Repeatability: ±0.25%Max+±0.3%FSO) Linearity/Hysteresis: ±0.24%FSO Temperature coefficient: ±0.1%FSO
	Notes: FSO: Full Scale Output 1psi = 68.947 mbar = 0.068947 bar 1 psi = 6894.7 Pa = 68.947 hPa = 6.8947 kPa	
<b>Resolution</b>	0.1%RH, 0.1°C/F, 0.1hPa	
<b>Data storage</b>	10,000 measurements	
<b>Logging rate</b>	Selectable sampling interval: From 1 second up to 18 hours	
<b>Operating temperature</b>	-31 to 176°F (-35 to 80°C)	
<b>Battery type</b>	3.6V (1/2 AA) (SAFT LS14250, Tadiran TL-5101 or equivalent)	
<b>Battery life</b>	1 year (typ.) depending on logging rate, ambient temperature, & use of Alarm LEDs	
<b>Dimensions/Weight</b>	4 x 1 x .9" (101 x 25 x 23mm) / 6oz (172g)	

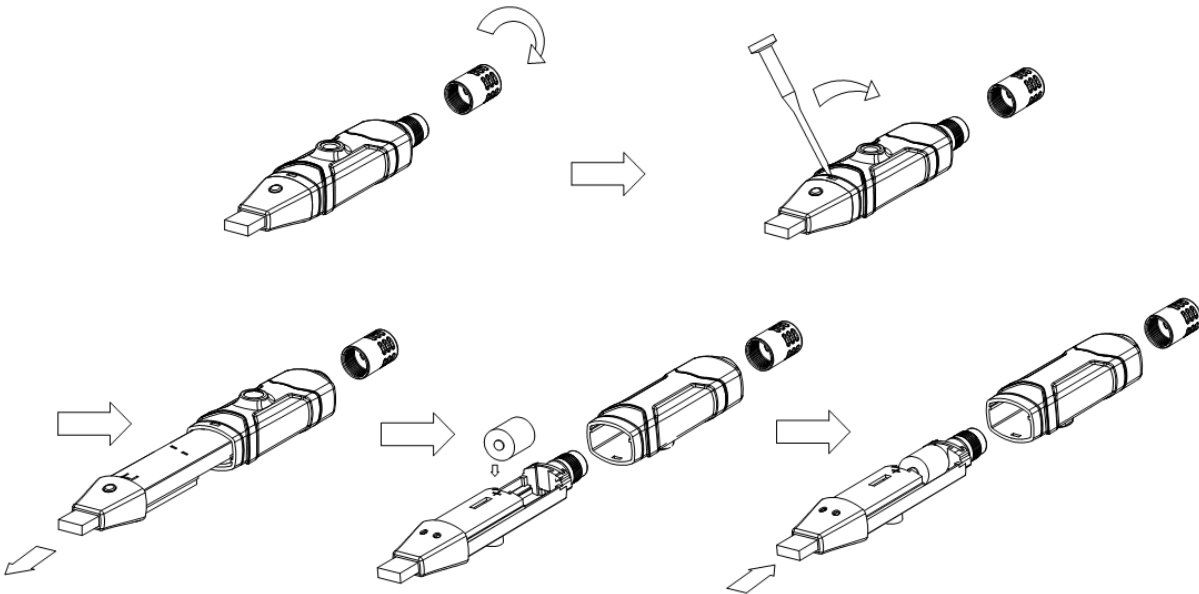
# Battery Replacement

It is highly recommended that the battery be replaced every 12 months, or prior to logging critical data.

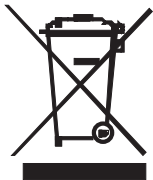
The RHT50 does not lose its stored readings when the battery weakens or when the battery is replaced; the data logging process will however be stopped and cannot be re-started until the battery has been replaced and the logged data has been downloaded to PC.

Use only a 3.6V ½ 'AA' lithium battery. Before replacing the battery, remove the datalogger from the PC. Follow the steps in the diagram below for opening the housing and replacing the battery.

NOTE: Leaving the RHT50 plugged into the PC USB port longer than necessary will cause some of the battery capacity to be lost.



**WARNING:** Handle lithium batteries carefully, observe warnings on battery casing. Dispose of in accordance with local regulations.



You, as the end user, are legally bound (**EU Battery ordinance**) to return all used batteries, **disposal in the household garbage is prohibited!** You can hand over your used batteries / accumulators at collection points in your community or wherever batteries / accumulators are sold!

**Disposal:** Follow the valid legal stipulations in respect of the disposal of the device at the end of its lifecycle

## **Warranty (English)**

---

**EXTECH INSTRUMENTS CORPORATION** (A FLIR COMPANY) warrants this instrument to be free of defects in parts and workmanship for **one year** from date of shipment (a six month limited warranty applies to sensors and cables). If it should become necessary to return the instrument for service during or beyond the warranty period, contact the Customer Service Department at (781) 890-7440 ext. 210 for authorization or visit our website [www.extech.com](http://www.extech.com) for contact information. A Return Authorization (RA) number must be issued before any product is returned to Extech. The sender is responsible for shipping charges, freight, insurance and proper packaging to prevent damage in transit. This warranty does not apply to defects resulting from action of the user such as misuse, improper wiring, operation outside of specification, improper maintenance or repair, or unauthorized modification. Extech specifically disclaims any implied warranties or merchantability or fitness for a specific purpose and will not be liable for any direct, indirect, incidental or consequential damages. Extech's total liability is limited to repair or replacement of the product. The warranty set forth above is inclusive and no other warranty, whether written or oral, is expressed or implied.

### **Product Support**

Technical Support: [support@extech.com](mailto:support@extech.com) -- Calibration and Repairs: [repair@extech.com](mailto:repair@extech.com)

### **Product specifications subject to change without notice**

For the latest version of User Guides, Software updates, and other information:

**[www.extech.com](http://www.extech.com) (781) 890-7440**

Extech Instruments Corporation, 285 Bear Hill Road, Waltham, MA 02451

***ISO9001 Certified***

**Copyright © 2010 Extech Instruments Corporation (a FLIR company)**

All rights reserved including the right of reproduction in whole or in part in any form.

## Garantía (Español)

EXTECH INSTRUMENTS CORPORATION (UNA EMPRESA FLIR) garantiza este instrumento para estar libre de defectos en partes o mano de obra durante un año a partir de la fecha de embarque (se aplica una garantía limitada a seis meses para los cables y sensores). Si fuera necesario regresar el instrumento para servicio durante o después del periodo de garantía, llame al Departamento de Servicio a Clientes al teléfono (781) 890-7440 ext. 210 para autorización, o visite nuestra página en Internet [www.extech.com](http://www.extech.com) para Información del contacto. Se debe otorgar un número de Autorización de Retorno (RA) antes de regresar cualquier producto a Extech. El remitente es responsable de los gastos de embarque, flete, seguro y empaque apropiado para prevenir daños en tránsito. Esta garantía no se aplica a defectos resultantes de las acciones del usuario como el mal uso, alambrado equivocado, operación fuera de las especificaciones, mantenimiento o reparación inadecuada o modificación no autorizada. Extech específicamente rechaza cualesquier garantías implícitas o factibilidad de comercialización o aptitud para cualquier propósito determinado y no será responsable por cualesquier daños directos, indirectos, incidentales o consecuentes. La responsabilidad total de Extech está limitada a la reparación o reemplazo del producto. La garantía precedente es inclusiva y no hay otra garantía ya sea escrita u oral, expresa o implícita.

### Ayuda de producto

Soporte Técnico [support@extech.com](mailto:support@extech.com) - Reparación / Retornos: [repair@extech.com](mailto:repair@extech.com)  
Las especificaciones del producto están sujetas a cambios sin aviso  
Para la última versión de esta Guía del usuario, actualizaciones de software y otra información  
[www.extech.com](http://www.extech.com) (781) 890-7440  
Extech Instruments Corporation, 285 Bear Hill Road, Waltham, MA 02451  
Certificado ISO9001

Copyright © 2010 Extech Instruments Corporation (una empresa FLIR)

Reservados todos los derechos, incluyendo el derecho de reproducción total o parcial en cualquier medio.

## Garantie (Français)

EXTECH APPAREILS CORPORATION (Une société FLIR) garantit que cet appareil est exempt de défauts matériels et de fabrication pendant un an à compter de la date d'envoi (une garantie limitée de six mois s'applique aux capteurs et câbles). Si le renvoi de l'appareil pour réparation devient nécessaire durant ou après la période de garantie, contactez le service client au (781) 890-7440 poste. 210 pour autorisation ou visitez notre site Web à l'adresse [www.extech.com](http://www.extech.com) pour obtenir nos coordonnées. Un numéro d'autorisation de retour (AR) doit être délivré avant tout retour de produit à Extech. L'expéditeur prend à sa charge les frais d'expédition, le fret, l'assurance et l'emballage correct de l'appareil afin de prévenir toute détérioration durant le transport. Cette garantie ne s'applique pas aux dommages imputables à l'utilisateur tel que l'usage impropre ou abusif, un mauvais câblage, une utilisation non conforme aux spécifications, un entretien ou une réparation incorrecte, ou toute modification non autorisée. Extech déclinera spécifiquement toute garantie ou qualité marchande ou aptitude à l'emploi prévu et ne sera en aucun cas tenu responsable pour tout dommage conséquent direct, indirect, ou accidentel. La responsabilité totale d'Extech est limitée à la réparation ou au remplacement du produit. La garantie définie ci-dessus est inclusive et aucune autre garantie, écrite ou orale, n'est exprimée ou implicite.

### Appui de produit

Service d'assistance technique [support@extech.com](mailto:support@extech.com) - Réparations et retours : [repair@extech.com](mailto:repair@extech.com)  
**Spécifications produit sujettes à modifications sans préavis**  
Pour obtenir la dernière version de ce manuel d'utilisation, des mises à jour logicielles et autres informations  
[www.extech.com](http://www.extech.com) -(781) 890-7440  
Extech Appareils Corporation, 285 Bear Hill Road, Waltham, MA 02451  
Certifié ISO 9001

Copyright © 2010 Extech Appareils Corporation (une société FLIR).

Tous droits réservés, y compris le droit de reproduction, en tout ou en partie, sous quelque forme que ce soit.