

EE10-T / EE10-P

Room Temperature Transmitters and Sensors

EE10 is the ideal solution for room temperature measurement in residential and commercial HVAC applications. The very stylish, snap-on enclosure allows for easy installation and replacement of the sensing unit for service purposes.

The EE10 transmitters supply a 0-10 V or 4-20 mA output, while the EE10 sensors have passive temperature output. An optional LCD display is available for the EE10 transmitters.

Two different enclosure designs ensure professional appearance according to regional standards.



Typical Applications

Residential and commercial building automation
 Switching cabinets
 Indoor climate control

Features

Excellent price / performance ratio
 Easiest installation
 Modern design

Technical Data

Measuring Quantities

Temperature (active output)

| | | |
|---|---------------------|--|
| Analogue output 0...50 °C (32...122 °F) ¹⁾ | 0-10 V | -1 mA < I _L < 1mA |
| | 4-20 mA (two wires) | R _L < (U _V -10)/0.02 < 500 Ohm |

| | |
|---------------------------|--------------------|
| Accuracy at 20 °C (68 °F) | ±0.3 °C (±0.54 °F) |
|---------------------------|--------------------|

Temperature (passive output)

| | |
|------------------|---------------------------|
| Type of T-Sensor | please see ordering guide |
|------------------|---------------------------|

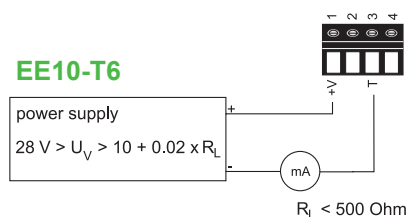
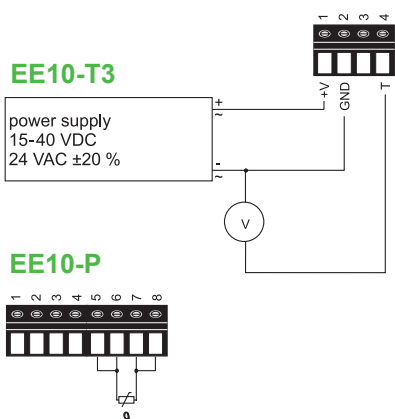
General Data

| | | |
|----------------------------------|--|---|
| Voltage supply (U _V) | for 0-10 V | 15-40 VDC or 24 VAC ±20 % |
| | for 4-20 mA | 28 VDC > U _V > 10 + 0.02 x R _L (R _L < 500 Ohm) |
| Current consumption | for DC supply: | typical 4 mA |
| | for AC supply: | typical 15 mA _{eff} |
| Electrical connection | Screw terminals max. 1.5 mm ² (AWG 16) | |
| Housing material | Polycarbonat | |
| | US Version: UL94V-0 approved / EU Version: UL94HB approved | |
| Protection class | PC / IP30 | |
| Display | only for EE10-Tx version: temperature | |
| CE compatibility according | EN61326-1 | FCC Part15 ClassB |
| | EN61326-2-3 | ICES-003 ClassB |
| Temperature ranges | Working temperature range: | -5...55 °C (23...131 °F) |
| | Storage temperature range: | -25...60 °C (-13...140 °F) |

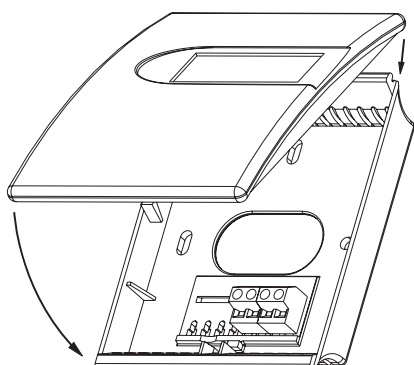


1) other scalings see datasheet „Scaling of the outputs“

Connection Diagram



Dimensions



Housing colour: cover: RAL 9003 (signal white)
back: RAL 7035 (light grey)

EU: W x H x D = 85 x 100 x 26mm (3.3 x 3.9 x 1")
US: W x H x D = 85 x 136 x 26mm (3.3 x 5.4 x 1")

Ordering Guide

| MODEL | OUTPUT | T-SENSOR PASSIVE ¹⁾ | DISPLAY | HOUSING | T-UNIT | T-SCALE ²⁾ |
|-------------------------|---------------|--------------------------------|---------------------|------------|----------|-----------------------|
| temperature active (T) | 0 - 10 V (3) | | without display (–) | Europe (–) | °C (–) | 0...50 (T04) |
| | | | with display (D04) | USA (US) | °F (E01) | -5...55 (T31) |
| | 4 - 20 mA (6) | | 0...40 (T55) | | | |
| | | | 20...120 (T15) | | | |
| temperature passive (P) | | Pt100 DIN A (A) | | Europe (–) | | 32...132 (T96) |
| | | Pt1000 DIN A (C) | | USA (US) | | |
| | | Pt1000 DIN B (D) | | | | |
| | | NTC10k (L) | | | | |
| | | Ni1000 TK6180 DIN B (J) | | | | |
| | | Ni1000 TK5000 DIN B (T) | | | | |
| EE10- | | | | | | |

1) T-Sensor details see www.epluse.com/R-T_Characteristics

2) other scalings see datasheet „Scaling of the outputs“

Order Example

Active Output

EE10-T6D04/T04

Model: Temperature transmitter
Output: 4-20 mA
Display: with display
T-Scale: 0...50°C (32...122°F)

Passive Output

EE10-PCUS

Model: Temperature sensor
T-Sensor passive: Pt1000 DIN A
Housing: USA

Scope of supply

- EE10 transmitter or sensor according ordering guide
- Mounting material
- Test report according DIN EN10204 - 2.2 (for EE10-T)