

THE EDGE FLOW SENSOR – WITH BLUETOOTH

Ideal for use with all AW Gear Meter and Turbine flow meter applications requiring an analog, pulse, or Modbus output.



BENEFITS

Streamlined Setup with Bluetooth

These pickups are equipped with Bluetooth making setup and scaling much easier. Setup from the "AWL Mobile Toolkit" application on a mobile device or the AW-Lake Toolkit PC software. You no longer need to walk from the device to your monitoring equipment when fine-tuning your adjustments.

Modbus Interface

With Modbus option, users can pull key parameter values via digital serial interface.

Linearizer

To improve output accuracy with some flow meters which are non-linear, a 10-point linearization table can be utilized through the Bluetooth app and PC Toolkit.

Wireless Hand-Held Display

Using the Bluetooth mobile app on your phone, you have a wireless flow monitor in your hand!

Easy Interface Verification

With the ability to force the sensor to output a frequency or analog signal, proper connection to user interface can be verified without need to run fluid flow.

APPLICATIONS

The EDGE Flow Sensor is ideal in general applications when sending an analog, pulse or modbus signal to a PLC or other control system.

FEATURES

- Analog output signal defaults to 4-20mA and 0-10V (0-5V, 1-5V & 2-10V selectable through PC Toolkit or "AWL Mobile Toolkit" mobile app)
- Frequency output to 5KHz, flow dependent
- Modbus communication
- Excellent linearity, high temperature stability and long-term stability
- Powered by 12-24VDC
- 16-bit analog output resolution
- Bluetooth enabled for wireless setup from a mobile device (*can be disabled by user)
- Connect sensor to PC via standard USB-C cable
- Firmware can be updated by users via the PC Toolkit

TECHNICAL SPECIFICATIONS

Supply Voltage Range

12-24VDC $\pm 10\%$
Max current draw 40-100mA
(model-specific, contact factory)

Analog Output Options

4-20mA & 0-10V - Default
0-5V, 1-5V & 2-10V - Available
through PC Toolkit or mobile app

Standard Max Output

+2.5% of max scaling (20.5mA/5.125V
/10.25V)

Error Indication

+10% of max scaling (22mA/5.5V/11V)

Analog Output Resolution

16 bit

Analog Output Update Time

25mSec minimum

Ambient Temperature

-40°F to 185°F (-40°C to 85°C)

Pulse/Frequency Output:

Push/Pull output - default
Sinking or Sourcing optional. Set
through PC Toolkit or mobile app.

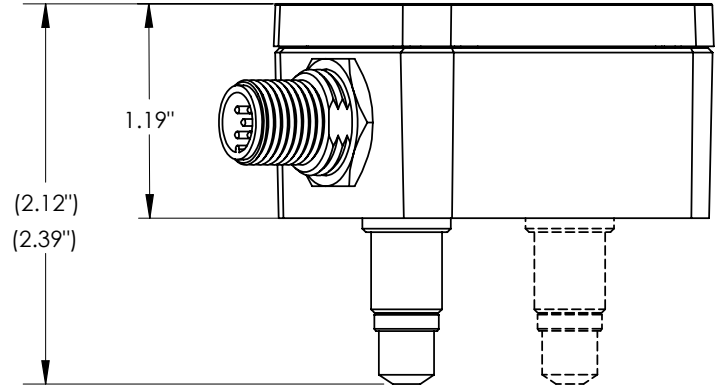
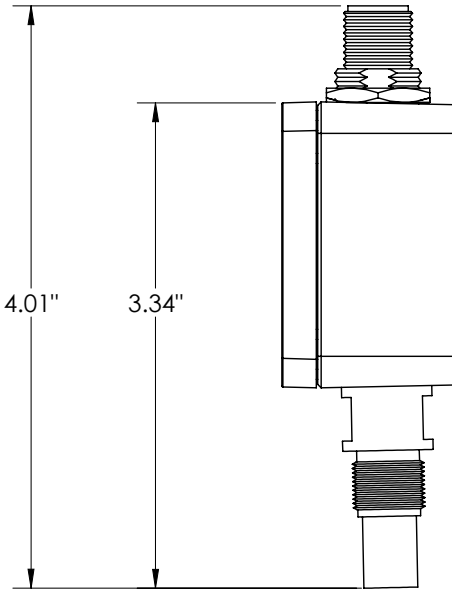
MATERIALS OF CONSTRUCTION

Housing	Anodized Aluminum
Pickup	303ss body w/ Zytel cap
Seal	Chloroprene Rubber (CR)

THE EDGE FLOW SENSOR – WITH BLUETOOTH

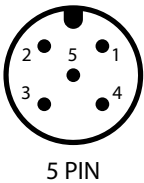
Ideal for use with all AW Gear Meter and Turbine flow meter applications requiring an analog, pulse, or Modbus output.

DIMENSIONS



INDUSTRY STANDARD M12-A CONNECTORS

PULSE OUTPUT



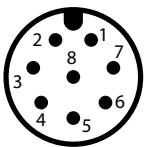
5 PIN

- 1: 12-24VDC
- 2: GROUND
- 3: FREQ OUT 1
- 4: FREQ OUT 2
- 5: N/C

ANALOG + PULSE

- 1: 12-24VDC
- 2: GROUND
- 3: mA OUT
- 4: V OUT
- 5: FREQ OUT 1

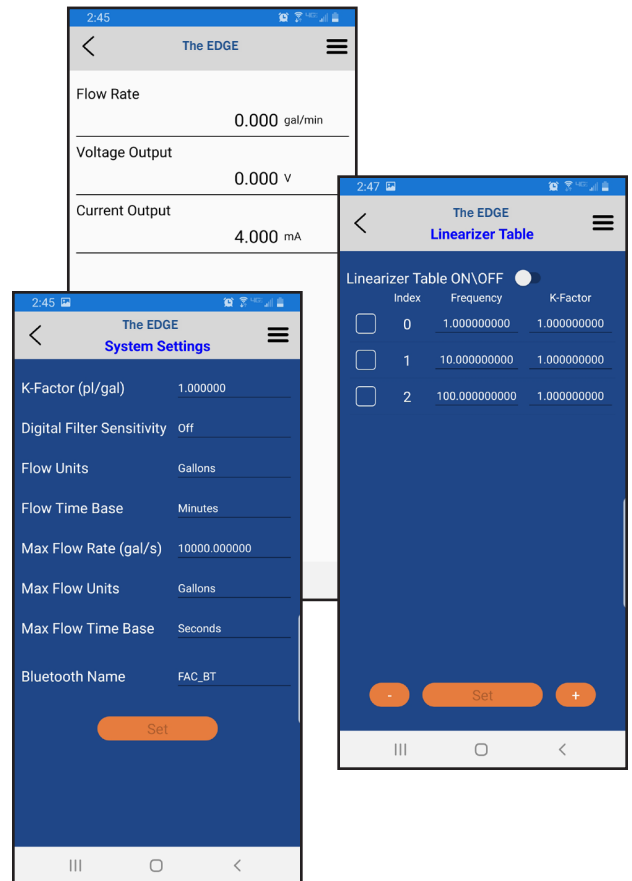
ANALOG + PULSE + MODBUS



8 PIN

- 1: 12-24VDC
- 2: GROUND
- 3: FREQ OUT 1
- 4: FREQ OUT 2
- 5: mA OUT
- 6: V OUT
- 7: MODBUS +
- 8: MODBUS -

MOBILE TOOLKIT APP



Products may be subject to change without notice - Contact factory for the most up-to-date product information.