

# Technical Information

## Proline Prowirl F 200

Vortex flowmeter



Versatile flowmeter with wet steam detection and first-rate accuracy

### Application

- Preferred measuring principle for wet/saturated/ superheated steam, gases & liquids (also cryogenic)
- Suitable for a wide range of applications; optimized for steam applications

### Device properties

- Wet steam capabilities for DN 25 to 300 (1 bis 12")
- Flexible positioning of pressure cell
- Industrial siphon design for pressure measurement
- Display module with data transfer function
- Robust dual-compartment housing
- Plant safety: worldwide approvals (SIL, Haz. area)

### Your benefits

- Easy energy management – integrated temperature and pressure measurement for steam and gases
- Space-saving engineering – inlet run compensation
- Same accuracy down to Re 10 000 – most linear Vortex meter body
- Long-term stability – robust drift-free capacitive sensor
- Convenient device wiring – separate connection compartment
- Safe operation – no need to open the device due to display with touch control, background lighting
- Integrated verification – Heartbeat Technology






## Table of contents

<b>About this document</b> . . . . .	<b>3</b>	Electromagnetic compatibility (EMC) . . . . .	50
Symbols . . . . .	3		
<b>Function and system design</b> . . . . .	<b>4</b>	<b>Process</b> . . . . .	<b>50</b>
Measuring principle . . . . .	4	Medium temperature range . . . . .	50
Measuring system . . . . .	8	Pressure-temperature ratings . . . . .	51
		Nominal pressure of sensor . . . . .	54
		Pressure specifications . . . . .	54
		Pressure loss . . . . .	54
		Thermal insulation . . . . .	54
<b>Input</b> . . . . .	<b>9</b>	<b>Mechanical construction</b> . . . . .	<b>55</b>
Measured variable . . . . .	9	Dimensions in SI units . . . . .	55
Measuring range . . . . .	10	Dimensions in US units . . . . .	68
Operable flow range . . . . .	14	Weight . . . . .	75
Input signal . . . . .	15	Materials . . . . .	79
		Flange connections . . . . .	83
<b>Output</b> . . . . .	<b>16</b>	<b>Operability</b> . . . . .	<b>83</b>
Output signal . . . . .	16	Operating concept . . . . .	83
Signal on alarm . . . . .	17	Languages . . . . .	83
Load . . . . .	18	Local operation . . . . .	84
Ex connection data . . . . .	19	Remote operation . . . . .	85
Low flow cut off . . . . .	24	Service interface . . . . .	87
Galvanic isolation . . . . .	24	<b>Certificates and approvals</b> . . . . .	<b>87</b>
Protocol-specific data . . . . .	24	CE mark . . . . .	87
		RCM-tick symbol . . . . .	87
		Ex approval . . . . .	87
		Functional safety . . . . .	89
		HART certification . . . . .	90
		FOUNDATION Fieldbus certification . . . . .	90
		Certification PROFIBUS . . . . .	90
		Pressure Equipment Directive . . . . .	90
		Experience . . . . .	90
		Other standards and guidelines . . . . .	90
<b>Power supply</b> . . . . .	<b>26</b>	<b>Ordering information</b> . . . . .	<b>91</b>
Terminal assignment . . . . .	26	Product generation index . . . . .	91
Pin assignment, device plug . . . . .	28		
Supply voltage . . . . .	29	<b>Application packages</b> . . . . .	<b>91</b>
Power consumption . . . . .	30	Diagnostics functions . . . . .	91
Current consumption . . . . .	30	Heartbeat Technology . . . . .	92
Power supply failure . . . . .	30	Wet steam detection . . . . .	92
Electrical connection . . . . .	30	Wet steam measurement . . . . .	92
Potential equalization . . . . .	35		
Terminals . . . . .	35	<b>Accessories</b> . . . . .	<b>92</b>
Cable entries . . . . .	35	Device-specific accessories . . . . .	93
Cable specification . . . . .	35	Communication-specific accessories . . . . .	94
Overvoltage protection . . . . .	37	Service-specific accessories . . . . .	95
		System components . . . . .	95
<b>Performance characteristics</b> . . . . .	<b>38</b>	<b>Supplementary documentation</b> . . . . .	<b>95</b>
Reference operating conditions . . . . .	38	Standard documentation . . . . .	96
Maximum measured error . . . . .	38	Supplementary device-dependent documentation . . . . .	96
Repeatability . . . . .	41		
Response time . . . . .	42	<b>Registered trademarks</b> . . . . .	<b>97</b>
Influence of ambient temperature . . . . .	42		
<b>Installation</b> . . . . .	<b>42</b>		
Mounting location . . . . .	42		
Orientation . . . . .	42		
Inlet and outlet runs . . . . .	44		
Length of connecting cable . . . . .	46		
Mounting the transmitter housing . . . . .	47		
Special mounting instructions . . . . .	47		
<b>Environment</b> . . . . .	<b>48</b>		
Ambient temperature range . . . . .	48		
Storage temperature . . . . .	49		
Climate class . . . . .	49		
Degree of protection . . . . .	49		
Vibration- and shock-resistance . . . . .	49		


## About this document

### Symbols









#### Electrical symbols

Symbol	Meaning
	Direct current
	Alternating current
	Direct current and alternating current
	<b>Ground connection</b> A grounded terminal which, as far as the operator is concerned, is grounded via a grounding system.
	<b>Protective Earth (PE)</b> A terminal which must be connected to ground prior to establishing any other connections.  The ground terminals are situated inside and outside the device: <ul style="list-style-type: none"> <li>▪ Inner ground terminal: Connects the protective earth to the mains supply.</li> <li>▪ Outer ground terminal: Connects the device to the plant grounding system.</li> </ul>

#### Communication symbols




Symbol	Meaning
	<b>Wireless Local Area Network (WLAN)</b> Communication via a wireless, local network.

#### Symbols for certain types of information

Symbol	Meaning
	<b>Permitted</b> Procedures, processes or actions that are permitted.
	<b>Preferred</b> Procedures, processes or actions that are preferred.
	<b>Forbidden</b> Procedures, processes or actions that are forbidden.
	<b>Tip</b> Indicates additional information.
	Reference to documentation.
	Reference to page.
	Reference to graphic.
	Visual inspection.

#### Symbols in graphics

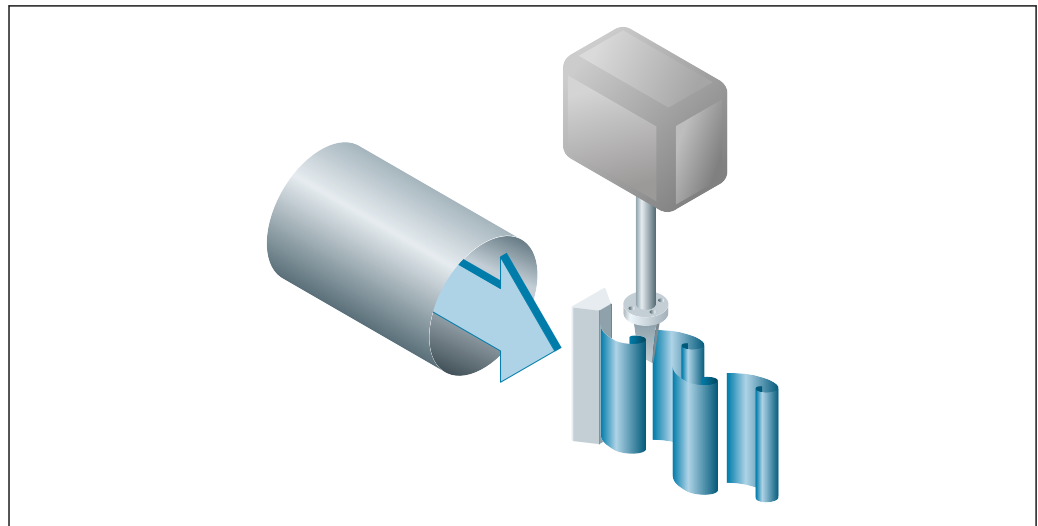
Symbol	Meaning
1, 2, 3, ...	Item numbers
<a href="#">1</a> , <a href="#">2</a> , <a href="#">3</a> , ...	Series of steps
A, B, C, ...	Views
A-A, B-B, C-C, ...	Sections

Symbol	Meaning
	Hazardous area
	Safe area (non-hazardous area)
	Flow direction

## Function and system design

### Measuring principle

Vortex meters work on the principle of the *Karman vortex street*. When fluid flows past a bluff body, vortices are alternately formed on both sides with opposite directions of rotation. These vortices each generate a local low pressure. The pressure fluctuations are recorded by the sensor and converted to electrical pulses. The vortices develop very regularly within the permitted application limits of the device. Therefore, the frequency of vortex shedding is proportional to the volume flow.



A0033465

 1 Sample graphic

The calibration factor (K-factor) is used as the proportional constant:

$$\text{K-Factor} = \frac{\text{Pulses}}{\text{Unit Volume [m}^3\text{]}}$$

A0003939-EN

Within the application limits of the device, the K-factor only depends on the geometry of the device. It is for  $Re > 10\,000$ :

- Independent of the flow velocity and the fluid properties viscosity and density
- Independent of the type of substance under measurement: steam, gas or liquid

The primary measuring signal is linear to the flow. After production, the K-factor is determined in the factory by means of calibration. It is not subject to long-time drift or zero-point drift.

The device does not contain any moving parts and does not require any maintenance.

### The capacitance sensor

The sensor of a vortex flowmeter has a major influence on the performance, robustness and reliability of the entire measuring system.

The robust DSC sensor is:

- burst-tested
- tested against vibrations
- tested against thermal shock (thermal shocks of 150 K/s)

The measuring device uses the tried-and-tested, capacitance measuring technology from Endress+Hauser, which is already in use in over 450 000 measuring points worldwide. Thanks to its design, the capacitance sensor is also particularly mechanically resistant to temperature shocks and pressure shocks in steam pipelines.

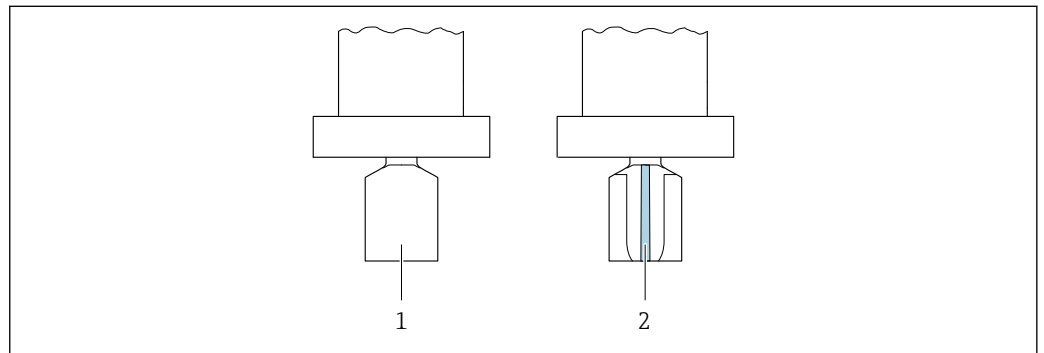
#### Temperature measurement

The "mass" option is available under the order code for "Sensor version". With this option the measuring device can also measure the temperature of the medium.

The temperature is measured via Pt 1000 temperature sensors. These are located in the paddle of the DSC sensor and are therefore in the direct vicinity of the fluid.


Order code for "Sensor version; DSC sensor; measuring tube":

- Option AA "volume; 316L; 316L"
- Option AB "volume; Alloy C22; 316L"
- Option AC "volume; Alloy C22; Alloy C22"
- Option BA "volume high-temperature; 316L; 316L"
- Option BB "volume high-temperature; Alloy C22; 316L"
- Option CA "Mass; 316L; 316L (integrated temperature measurement)"
- Option CB "Mass; Alloy C22; 316L (integrated temperature measurement)"
- Option CC "Mass; Alloy C22; Alloy C22 (integrated temperature measurement)"



- 1 Order code for "Sensor version", option "volume" or "volume high-temperature"  
 2 Order code for "Sensor version", option "mass"

#### Pressure and temperature measurement

 The "mass" sensor version (integrated pressure/temperature measurement) is available only for measuring devices in the HART communication mode.

The "mass steam" or "mass gas/liquid" options are available under the order code for "Sensor version; DSC sensor; measuring tube". With these options, the measuring device can also measure the pressure and temperature of the fluid.

The temperature is measured via Pt 1000 temperature sensors. These are located in the paddle of the DSC sensor and are therefore in the direct vicinity of the fluid. Pressure measurement is located directly on the meter body at the level of the bluff body. The position of the pressure tapping was chosen so that pressure and temperature could be measured at the same point. This enables accurate density and/or energy compensation of the fluid using pressure and temperature. The measured pressure tends to be somewhat lower than the line pressure. For this reason, Endress+Hauser offers a correction to the line pressure (integrated in the device).

Order code for "Sensor version; DSC sensor; measuring tube":

- Option DA "Mass steam; 316L; 316L (integrated pressure/temperature measurement)"
- Option DB "Mass gas/liquid; 316L; 316L (integrated pressure/temperature measurement)"

#### Lifelong calibration

Experience has shown that recalibrated measuring devices demonstrate a very high degree of stability compared to their original calibration: The recalibration values were all within the original

measuring accuracy specifications of the devices. This applies to the measured volume flow, the device's primary measured variable.

Various tests and simulation have shown that once the radii of the edges on the bluff body are less than 1 mm (0.04 in), the resulting effect does not have a negative impact on accuracy.

If the radii of the edges on the bluff body do not exceed 1 mm (0.04 in), the following general statements apply (in the case of non-abrasive and non-corrosive media, such as in most water and steam applications):

- The measuring device does not display an offset in the calibration and the accuracy is still guaranteed.
- All the edges on the bluff body have a radius that is typically smaller in size. As the measuring devices are naturally also calibrated with these radii, the measuring device remains within the specified accuracy rating provided that the additional radius that is produced as a result of wear and tear does not exceed 1 mm (0.04 in).

Consequently, it can be said that the product line offers lifelong calibration if the measuring device is used in non-abrasive and non-corrosive media.

### Inlet run correction

Inlet run correction makes it possible to shorten the necessary inlet run before the measuring device to a minimum length of  $10 \times DN$ . If the inlet run available is too short, the measuring device can correct the measured error depending on the preceding disruption in the flow profile. This results in an additional measured error of  $\pm 0.5\%$  o.r.<sup>1)</sup>

The **Inlet Run Correction** function can be used for the following pressure ratings and nominal diameters:

DN 15 to 150 (1 to 6")

- EN (DIN)
- ASME B16.5, Sch. 40/80

**Inlet run correction** is possible for the following flow obstructions:

- Single elbow (90° elbow)
- Double elbow (2 × 90° elbows, opposite)
- Double elbow 3D (2 × 90° elbows, opposite, not on one plane)
- Reduction by one nominal diameter size



Inlet and outlet runs to be considered → 44



For detailed information about inlet run correction, see the Special Documentation for the device

### Air and industrial gases

The measuring device enables users to calculate the density and energy of air and industrial gases. The calculations are based on time-tested standard calculation methods. It is possible to automatically compensate for the effect of pressure and temperature via an external or constant value.

This makes it possible to output the energy flow, standard volume flow and mass flow of the following gases:

- Single gas
- Gas mixture
- Air
- User-specific gas



For detailed information on the parameters, see the Operating Instructions. → 96

### Natural gas

The device enables users to calculate the chemical properties (gross calorific value, net calorific value) of natural gases. The calculations are based on time-tested standard calculation methods. It is possible to automatically compensate for the effect of pressure and temperature via an external or constant value.

This makes it possible to output the energy flow, standard volume flow and mass flow in accordance with the following standard methods:

1) = of reading

Energy can be calculated based on the following standards:

- AGA5
- ISO 6976
- GPA 2172

Density can be calculated based on the following standards:

- ISO 12213-2 (AGA8-DC92)
- ISO 12213-3
- AGA NX19
- AGA8 Gross 1
- SGERG 88



For detailed information on the parameters, see the Operating Instructions. →  96

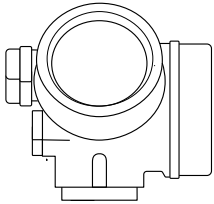
**Measuring system**

The device consists of a transmitter and a sensor.

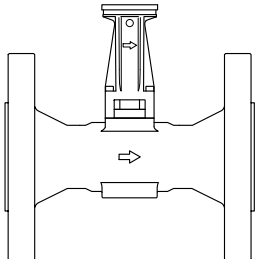
Two device versions are available:

- Compact version – transmitter and sensor form a mechanical unit.
- Remote version - transmitter and sensor are mounted in separate locations.

**Transmitter**

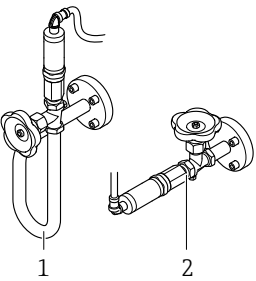
<p><b>Prowirl 200</b></p>  <p style="text-align: right; font-size: small;">A0013471</p>	<p>Device versions and materials:</p> <ul style="list-style-type: none"> <li>■ Compact or remote version, aluminum coated: Aluminum, AlSi10Mg, coated</li> <li>■ Compact or remote version, stainless: For maximum corrosion resistance: stainless steel CF3M</li> </ul> <p>Configuration:</p> <ul style="list-style-type: none"> <li>■ Via four-line local display with key operation or via four-line, illuminated local display with touch control and guided menus ("Make-it-run" wizards) for applications</li> <li>■ Via operating tools (e.g. FieldCare)</li> </ul>
--	--

**Sensor**

<p><b>ProwirlF</b></p>  <p style="text-align: right; font-size: small;">A0034075</p>	<p>Flanged version:</p> <ul style="list-style-type: none"> <li>■ Nominal diameter range: DN 15 to 300 (½ to 12")</li> <li>■ Materials: <ul style="list-style-type: none"> <li>■ Measuring tubes DN 15 to 300 (½ to 12"): stainless cast steel, CF3M/1.4408 DN 15 to 150 (½ to 6"): cast, CX2MW similar to Alloy C22/2.4602</li> <li>■ Flange connections DN 15 to 300 (½ to 12"): stainless steel, triple-certified material, 1.4404/F316/F316L DN 15 to 150 (½ to 6"), pressure ratings up to PN40/Class 300: cast, CX2MW similar to Alloy C22/2.4602</li> </ul> </li> </ul>
--	---

**Pressure measuring cell**

**i** The "mass" sensor version (integrated pressure/temperature measurement) is available only for measuring devices in the HART communication mode.

 <p style="text-align: right; font-size: small;">A0034080</p> <p>1 Option DA "mass steam" 2 Option DB "mass gas/liquid"</p>	<p>Versions:</p> <p>Pressure components</p> <ul style="list-style-type: none"> <li>■ Pressure measuring cell 2 bar_a</li> <li>■ Pressure measuring cell 4 bar_a</li> <li>■ Pressure measuring cell 10 bar_a</li> <li>■ Pressure measuring cell 40 bar_a</li> <li>■ Pressure measuring cell 100 bar_a</li> </ul> <p>Material</p> <ul style="list-style-type: none"> <li>■ Wetted parts: <ul style="list-style-type: none"> <li>■ Process connection Stainless steel, 1.4404/316L</li> <li>■ Membrane Stainless steel, 1.4435/316L</li> </ul> </li> <li>■ Non-wetted parts: Housing Stainless steel, 1.4404</li> </ul>
--	--




# Input

**Measured variable**

**Direct measured variables**

Order code for "Sensor version; DSC sensor; measuring tube"		
Option	Description	Measured variable
AA	Volume; 316L; 316L	Volume flow
AB	Volume; Alloy C22; 316L	
AC	Volume; Alloy C22; Alloy C22	
BA	Volume high-temperature; 316L; 316L	
BB	Volume high-temperature; Alloy C22; 316L	

Order code for "Sensor version; DSC sensor; measuring tube"		
Option	Description	Measured variable
CA	Mass; 316L; 316L (integrated temperature measurement)	<ul style="list-style-type: none"> <li>■ Volume flow</li> <li>■ Temperature</li> </ul>
CB	Mass; Alloy ; C22; 316L (integrated temperature measurement)	
CC	Mass; Alloy C22; Alloy C22 (integrated temperature measurement)	

 The "mass" sensor version (integrated pressure/temperature measurement) is available only for measuring devices in the HART communication mode.

Order code for "Sensor version; DSC sensor; measuring tube"		
Option	Description	Measured variable
DA	Mass steam; 316L; 316L (integrated pressure/temperature measurement)	<ul style="list-style-type: none"> <li>■ Volume flow</li> <li>■ Temperature</li> <li>■ Pressure</li> </ul>
DB	Mass gas/liquid; 316L; 316L (integrated pressure/temperature measurement),	

**Calculated measured variables**

Order code for "Sensor version; DSC sensor; measuring tube"		
Option	Description	Measured variable
AA	Volume; 316L; 316L	Under constant process conditions: <ul style="list-style-type: none"> <li>■ Mass flow <sup>1)</sup></li> <li>■ Corrected volume flow</li> </ul> The totalized values for: <ul style="list-style-type: none"> <li>■ Volume flow</li> <li>■ Mass flow</li> <li>■ Corrected volume flow</li> </ul>
AB	Volume; Alloy C22; 316L	
AC	Volume; Alloy C22; Alloy C22	
BA	Volume high-temperature; 316L; 316L	
BB	Volume high-temperature; Alloy C22; 316L	

1) A fixed density must be entered for calculating the mass flow (Setup menu → Advanced setup submenu → External compensation submenu → Fixed density parameter).


Order code for "Sensor version; DSC sensor; measuring tube"		
Option	Description	Measured variable
CA	Mass; 316L; 316L (integrated temperature measurement)	<ul style="list-style-type: none"> <li>■ Corrected volume flow</li> <li>■ Mass flow</li> <li>■ Calculated saturated steam pressure</li> <li>■ Energy flow</li> <li>■ Heat flow difference</li> <li>■ Specific volume</li> <li>■ Degrees of superheat</li> </ul>
CB	Mass; Alloy C22; 316L (integrated temperature measurement)	
CC	Mass; Alloy C22; Alloy C22 (integrated temperature measurement)	

Order code for "Sensor version; DSC sensor; measuring tube"		
Option	Description	Measured variable
DA	Mass steam; 316L; 316L (integrated pressure/temperature measurement)	
DB	Mass gas/liquid; 316L; 316L (integrated pressure/temperature measurement)	

Order code for "Sensor version", option "mass flow (integrated temperature measurement)" combined with order code for "Application package"		
Option	Description	Measured variable
EU	Wet steam measurement	<ul style="list-style-type: none"> <li>▪ Steam quality</li> <li>▪ Total mass flow</li> <li>▪ Condensate mass flow</li> </ul>

## Measuring range

The measuring range is dependent on the nominal diameter, the fluid and environmental influences.

 The following specified values are the largest possible flow measuring ranges ( $Q_{\min}$  to  $Q_{\max}$ ) for each nominal diameter. Depending on the fluid properties and environmental influences, the measuring range may be subject to additional restrictions. Additional restrictions apply to both the lower range value and the upper range value.

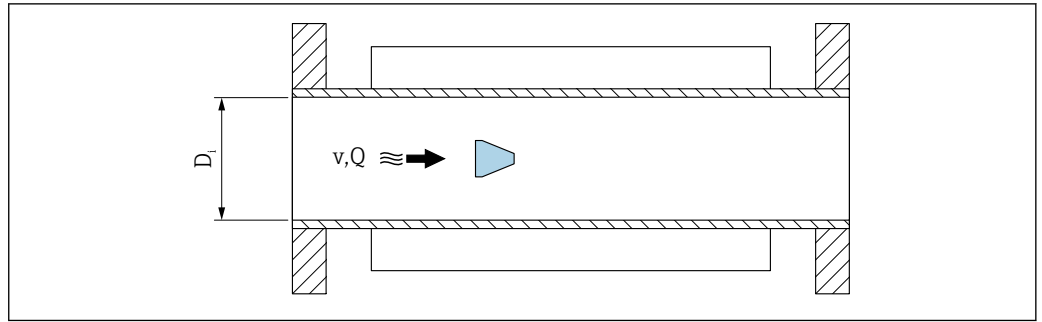
### Flow measuring ranges in SI units

DN [mm]	Liquids [m <sup>3</sup> /h]	Gas/steam [m <sup>3</sup> /h]
15	0.076 to 4.9	0.39 to 25
25	0.23 to 15	1.2 to 130
40	0.57 to 37	2.9 to 310
50	0.96 to 62	4.9 to 820
80	2.2 to 140	11 to 1800
100	3.7 to 240	19 to 3200
150	8.5 to 540	43 to 7300
200	15 to 950	75 to 13000
250	23 to 1500	120 to 20000
300	33 to 2100	170 to 28000

### Flow measuring ranges in US units

DN [in]	Liquids [ft <sup>3</sup> /min]	Gas/steam [ft <sup>3</sup> /min]
½	0.045 to 2.9	0.23 to 15
1	0.14 to 8.8	0.7 to 74
1½	0.34 to 22	1.7 to 180
2	0.56 to 36	2.9 to 480
3	1.3 to 81	6.4 to 1100
4	2.2 to 140	11 to 1900
6	5 to 320	25 to 4300
8	8.7 to 560	44 to 7500
10	14 to 880	70 to 12000
12	19 to 1300	99 to 17000

**Flow velocity**



A0033468

- $D_i$  Internal diameter of measuring tube (corresponds to dimension  $K \rightarrow$  55)
- $v$  Velocity in measuring tube
- $Q$  Flow

**i** The internal diameter of measuring tube  $D_i$  is denoted in the dimensions as dimension  $K \rightarrow$  55.

Calculation of flow velocity:

$$v \text{ [m/s]} = \frac{4 \cdot Q \text{ [m}^3\text{/h]}}{\pi \cdot D_i \text{ [m]}^2} \cdot \frac{1}{3600 \text{ [s/h]}}$$

$$v \text{ [ft/s]} = \frac{4 \cdot Q \text{ [ft}^3\text{/min]}}{\pi \cdot D_i \text{ [ft]}^2} \cdot \frac{1}{60 \text{ [s/min]}}$$

A0034301

**Lower range value**

A restriction applies to the lower range value due to the turbulent flow profile, which only occurs with Reynolds numbers greater than 5 000. The Reynolds number is dimensionless and indicates the ratio of the inertia force of a fluid to its viscous force when flowing and is used as a characteristic variable for pipe flows. In the case of pipe flows with Reynolds numbers less than 5 000, periodic vortices are no longer generated and flow rate measurement is no longer possible.

The Reynolds number is calculated as follows:

$$Re = \frac{4 \cdot Q \text{ [m}^3\text{/s]} \cdot \rho \text{ [kg/m}^3\text{]}}{\pi \cdot D_i \text{ [m]} \cdot \mu \text{ [Pa} \cdot \text{s]}}$$

$$Re = \frac{4 \cdot Q \text{ [ft}^3\text{/s]} \cdot \rho \text{ [lbm/ft}^3\text{]}}{\pi \cdot D_i \text{ [ft]} \cdot \mu \text{ [lbf} \cdot \text{s/ft}^2\text{]}}$$

A0034291

- $Re$  Reynolds number
- $Q$  Flow
- $D_i$  Internal diameter of measuring tube (corresponds to dimension  $K \rightarrow$  55)
- $\mu$  Dynamic viscosity
- $\rho$  Density

The Reynolds number, 5 000 together with the density and viscosity of the fluid and the nominal diameter, is used to calculate the corresponding flow rate.

$$Q_{Re=5000} [\text{m}^3/\text{h}] = \frac{5000 \cdot \pi \cdot D_i [\text{m}] \cdot \mu [\text{Pa} \cdot \text{s}]}{4 \cdot \rho [\text{kg}/\text{m}^3]} \cdot 3600 [\text{s}/\text{h}]$$

$$Q_{Re=5000} [\text{ft}^3/\text{h}] = \frac{5000 \cdot \pi \cdot D_i [\text{ft}] \cdot \mu [\text{lbf} \cdot \text{s}/\text{ft}^2]}{4 \cdot \rho [\text{lbm}/\text{ft}^3]} \cdot 60 [\text{s}/\text{min}]$$

A0034302

- $Q_{Re=5000}$  Flow rate is dependent on the Reynolds number
- $D_i$  Internal diameter of measuring tube (corresponds to dimension  $K \rightarrow$  55)
- $\mu$  Dynamic viscosity
- $\rho$  Density

The measuring signal must have a certain minimum signal amplitude so that the signals can be evaluated without any errors. Using the nominal diameter, the corresponding flow can also be derived from this amplitude. The minimum signal amplitude depends on the setting for the sensitivity of the DSC sensor (s), the steam quality (x) and the force of the vibrations present (a). The value mf corresponds to the lowest measurable flow velocity without vibration (no wet steam) at a density of  $1 \text{ kg}/\text{m}^3$  ( $0.0624 \text{ lbm}/\text{ft}^3$ ). The value mf can be set in the range from 6 to 20 m/s (1.8 to 6 ft/s) (factory setting 12 m/s (3.7 ft/s)) with the **Sensitivity** parameter (value range 1 to 9, factory setting 5).

The lowest flow velocity that can be measured on account of the signal amplitude  $v_{\text{AmpMin}}$  is derived from the **Sensitivity** parameter and the steam quality (x) or from the force of vibrations present (a).

$$v_{\text{AmpMin}} [\text{m}/\text{s}] = \max \left\{ \frac{\text{mf} [\text{m}/\text{s}]}{x^2} \cdot \sqrt{\frac{1 [\text{kg}/\text{m}^3]}{\rho [\text{kg}/\text{m}^3]}} \right.$$

$$v_{\text{AmpMin}} [\text{ft}/\text{s}] = \max \left\{ \frac{\text{mf} [\text{ft}/\text{s}]}{x^2} \cdot \sqrt{\frac{0.062 [\text{lb}/\text{ft}^3]}{\rho [\text{lb}/\text{ft}^3]}} \right.$$

A0034303

- $v_{\text{AmpMin}}$  Minimum measurable flow velocity based on signal amplitude
- mf Sensitivity
- x Steam quality
- $\rho$  Density

$$Q_{\text{AmpMin}} [\text{m}^3/\text{h}] = \frac{v_{\text{AmpMin}} [\text{m}/\text{s}] \cdot \pi \cdot D_i [\text{m}]^2}{4 \cdot \sqrt{\frac{\rho [\text{kg}/\text{m}^3]}{1 [\text{kg}/\text{m}^3]}}} \cdot 3600 [\text{s}/\text{h}]$$

$$Q_{\text{AmpMin}} [\text{ft}^3/\text{min}] = \frac{v_{\text{AmpMin}} [\text{ft}/\text{s}] \cdot \pi \cdot D_i [\text{ft}]^2}{4 \cdot \sqrt{\frac{\rho [\text{lbm}/\text{ft}^3]}{0.0624 [\text{lbm}/\text{ft}^3]}}} \cdot 60 [\text{s}/\text{min}]$$

A0034304

- $Q_{\text{AmpMin}}$  Minimum measurable flow rate based on signal amplitude
- $v_{\text{AmpMin}}$  Minimum measurable flow velocity based on signal amplitude

$D_i$  Internal diameter of measuring tube (corresponds to dimension  $K \rightarrow$  55)  
 $\rho$  Density

The effective lower range value  $Q_{Low}$  is determined using the largest of the three values  $Q_{min}$ ,  $Q_{Re = 5000}$  and  $Q_{AmpMin}$ .

$$Q_{Low} [m^3/h] = \max \begin{cases} Q_{min} [m^3/h] \\ Q_{Re = 5000} [m^3/h] \\ Q_{AmpMin} [m^3/h] \end{cases}$$

$$Q_{Low} [ft^3/min] = \max \begin{cases} Q_{min} [ft^3/min] \\ Q_{Re = 5000} [ft^3/min] \\ Q_{AmpMin} [ft^3/min] \end{cases}$$

A0034313

$Q_{Low}$  Effective lower range value  
 $Q_{min}$  Minimum measurable flow rate  
 $Q_{Re = 5000}$  Flow rate is dependent on the Reynolds number  
 $Q_{AmpMin}$  Minimum measurable flow rate based on signal amplitude

 The Applicator is available for calculation purposes.

### Upper range value

The measuring signal amplitude must be below a certain limit value to ensure that the signals can be evaluated without error. This results in a maximum permitted flow rate  $Q_{AmpMax}$ :

$$Q_{AmpMax} [m^3/h] = \frac{350 [m/s] \cdot \pi \cdot D_i [m]^2}{4 \cdot \sqrt{\frac{\rho [kg/m^3]}{1 [kg/m^3]}}} \cdot 3600 [s/h]$$

$$Q_{AmpMax} [ft^3/min] = \frac{1148 [ft/s] \cdot \pi \cdot D_i [ft]^2}{4 \cdot \sqrt{\frac{\rho [lbm/ft^3]}{0.0624 [lbm/ft^3]}}} \cdot 60 [s/min]$$

A0034316

$Q_{AmpMax}$  Maximum measurable flow rate based on signal amplitude  
 $D_i$  Internal diameter of measuring tube (corresponds to dimension  $K \rightarrow$  55)  
 $\rho$  Density

For gas applications, an additional restriction applies to the upper range value with regard to the Mach number in the measuring device, which must be less than 0.3. The Mach number  $Ma$  describes the ratio of the flow velocity  $v$  to the sound velocity  $c$  in the fluid.

$$Ma = \frac{v \text{ [m/s]}}{c \text{ [m/s]}}$$

$$Ma = \frac{v \text{ [ft/s]}}{c \text{ [ft/s]}}$$

A0034337

$Ma$	<i>Mach number</i>
$v$	<i>Flow velocity</i>
$c$	<i>Sound velocity</i>

The corresponding flow rate can be derived using the nominal diameter.

$$Q_{Ma=0.3} \text{ [m}^3\text{/h]} = \frac{0.3 \cdot c \text{ [m/s]} \cdot \pi \cdot D_i \text{ [m]}^2}{4} \cdot 3600 \text{ [s/h]}$$

$$Q_{Ma=0.3} \text{ [ft}^3\text{/min]} = \frac{0.3 \cdot c \text{ [ft/s]} \cdot \pi \cdot D_i \text{ [ft]}^2}{4} \cdot 60 \text{ [s/min]}$$

A0034337

$Q_{Ma=0.3}$	<i>Restricted upper range value is dependent on Mach number</i>
$c$	<i>Sound velocity</i>
$D_i$	<i>Internal diameter of measuring tube (corresponds to dimension K → 55)</i>
$\rho$	<i>Density</i>

The effective upper range value  $Q_{High}$  is determined using the smallest of the three values  $Q_{max}$ ,  $Q_{AmpMax}$  and  $Q_{Ma=0.3}$ .

$$Q_{High} \text{ [m}^3\text{/h]} = \min \begin{cases} Q_{max} \text{ [m}^3\text{/h]} \\ Q_{AmpMax} \text{ [m}^3\text{/h]} \\ Q_{Ma=0.3} \text{ [m}^3\text{/h]} \end{cases}$$

$$Q_{High} \text{ [ft}^3\text{/min]} = \min \begin{cases} Q_{max} \text{ [ft}^3\text{/min]} \\ Q_{AmpMax} \text{ [ft}^3\text{/min]} \\ Q_{Ma=0.3} \text{ [ft}^3\text{/min]} \end{cases}$$

A0034338

$Q_{High}$	<i>Effective upper range value</i>
$Q_{max}$	<i>Maximum measurable flow rate</i>
$Q_{AmpMax}$	<i>Maximum measurable flow rate based on signal amplitude</i>
$Q_{Ma=0.3}$	<i>Restricted upper range value is dependent on Mach number</i>

For liquids, the occurrence of cavitation may also restrict the upper range value.



The Applicator is available for calculation purposes.

#### Operable flow range

The value, which is typically up to 49: 1, may vary depending on the operating conditions (ratio between upper range value and lower range value)

**Input signal****Current input**

<b>Current input</b>	4-20 mA (passive)
<b>Resolution</b>	1 $\mu$ A
<b>Voltage drop</b>	Typically: 2.2 to 3 V for 3.6 to 22 mA
<b>Maximum voltage</b>	$\leq$ 35 V
<b>Possible input variables</b>	<ul style="list-style-type: none"> <li>▪ Pressure</li> <li>▪ Temperature</li> <li>▪ Density</li> </ul>

**External measured values**

To increase the accuracy of certain measured variables or to calculate the corrected volume flow, the automation system can continuously write different measured values to the measuring device:

- Operating pressure to increase accuracy (Endress+Hauser recommends the use of a pressure measuring device for absolute pressure, e.g. Cerabar M or Cerabar S)
- Medium temperature to increase accuracy (e.g. iTEMP)
- Reference density for calculating the corrected volume flow



- Various pressure measuring devices can be ordered as accessories from Endress+Hauser.
- If using pressure measuring devices, pay attention to outlet runs when installing external devices → 46.

If the measuring device does not have pressure or temperature compensation <sup>2)</sup>, it is recommended that external pressure measurement values be read in so that the following measured variables can be calculated:

- Energy flow
- Mass flow
- Corrected volume flow

*Integrated pressure and temperature measurement*

The measuring device can also directly record external variables for density and energy compensation.

This product version offers the following benefits:

- Measurement of pressure, temperature and flow in a true 2-wire version
- Recording of pressure and temperature at the same point, thus ensuring maximum accuracy of density and energy compensation.
- Continuous monitoring of pressure and temperature, thus enabling complete integration in Heartbeat.
- Easy testing of pressure measurement accuracy:
  - Application of pressure by pressure calibration unit, followed by input into measuring device
  - Automatic error correction performed by device in the event of a deviation
- Availability of calculated line pressure.

*Current input*

The measured values are written from the automation system to the measuring device via the current input → 15.

*HART protocol*

The measured values are written from the automation system to the measuring device via the HART protocol. The pressure transmitter must support the following protocol-specific functions:

- HART protocol
- Burst mode

*Digital communication*

The measured values can be written from the automation system to the measuring via:

- FOUNDATION Fieldbus
- PROFIBUS PA

2) Order code for "Sensor option", option DA, DB


## Output

### Output signal

#### Current output

Current output 1	4-20 mA HART (passive)
Current output 2	4-20 mA (passive)
Resolution	< 1 $\mu$ A
Damping	Adjustable: 0.0 to 999.9 s
Assignable measured variables	<ul style="list-style-type: none"> <li>▪ Volume flow</li> <li>▪ Corrected volume flow</li> <li>▪ Mass flow</li> <li>▪ Flow velocity</li> <li>▪ Temperature</li> <li>▪ Pressure</li> <li>▪ Calculated saturated steam pressure</li> <li>▪ Steam quality</li> <li>▪ Total mass flow</li> <li>▪ Energy flow</li> <li>▪ Heat flow difference</li> </ul>

#### Pulse/frequency/switch output

Function	Can be set to pulse, frequency or switch output
Version	Passive, open collector
Maximum input values	<ul style="list-style-type: none"> <li>▪ DC 35 V</li> <li>▪ 50 mA</li> </ul> <p> For information on the Ex connection values → <a href="#">19</a></p>
Voltage drop	<ul style="list-style-type: none"> <li>▪ For <math>\leq</math> 2 mA: 2 V</li> <li>▪ For 10 mA: 8 V</li> </ul>
Residual current	$\leq$ 0.05 mA
<b>Pulse output</b>	
Pulse width	Adjustable: 5 to 2 000 ms
Maximum pulse rate	100 Impulse/s
Pulse value	Adjustable
Assignable measured variables	<ul style="list-style-type: none"> <li>▪ Mass flow</li> <li>▪ Volume flow</li> <li>▪ Corrected volume flow</li> <li>▪ Total mass flow</li> <li>▪ Energy flow</li> <li>▪ Heat flow difference</li> </ul>
<b>Frequency output</b>	
Output frequency	Adjustable: 0 to 1 000 Hz
Damping	Adjustable: 0 to 999 s
Pulse/pause ratio	1:1
Assignable measured variables	<ul style="list-style-type: none"> <li>▪ Volume flow</li> <li>▪ Corrected volume flow</li> <li>▪ Mass flow</li> <li>▪ Flow velocity</li> <li>▪ Temperature</li> <li>▪ Calculated saturated steam pressure</li> <li>▪ Steam quality</li> <li>▪ Total mass flow</li> <li>▪ Energy flow</li> <li>▪ Heat flow difference</li> <li>▪ Pressure</li> </ul>



Switch output	
Switching behavior	Binary, conductive or non-conductive
Switching delay	Adjustable: 0 to 100 s
Number of switching cycles	Unlimited
Assignable functions	<ul style="list-style-type: none"> <li>▪ Off</li> <li>▪ On</li> <li>▪ Diagnostic behavior</li> <li>▪ Limit value                             <ul style="list-style-type: none"> <li>▪ Volume flow</li> <li>▪ Corrected volume flow</li> <li>▪ Mass flow</li> <li>▪ Flow velocity</li> <li>▪ Temperature</li> <li>▪ Calculated saturated steam pressure</li> <li>▪ Steam quality</li> <li>▪ Total mass flow</li> <li>▪ Energy flow</li> <li>▪ Heat flow difference</li> </ul> </li> <li>▪ Pressure</li> <li>▪ Reynolds number</li> <li>▪ Totalizer 1-3</li> <li>▪ Status</li> <li>▪ Status of low flow cut off</li> </ul>

**FOUNDATION Fieldbus**

FOUNDATION Fieldbus	H1, IEC 61158-2, galvanically isolated
Data transfer	31.25 kbit/s
Current consumption	15 mA
Permitted supply voltage	9 to 32 V
Bus connection	With integrated reverse polarity protection

**PROFIBUS PA**

PROFIBUS PA	In accordance with EN 50170 Volume 2, IEC 61158-2 (MBP), galvanically isolated
Data transmission	31.25 kbit/s
Current consumption	16 mA
Permitted supply voltage	9 to 32 V
Bus connection	With integrated reverse polarity protection

**Signal on alarm**

Depending on the interface, failure information is displayed as follows:

**Current output 4 to 20 mA**

4 to 20 mA

Failure mode	Choose from: <ul style="list-style-type: none"> <li>▪ 4 to 20 mA in accordance with NAMUR recommendation NE 43</li> <li>▪ 4 to 20 mA in accordance with US</li> <li>▪ Min. value: 3.59 mA</li> <li>▪ Max. value: 22.5 mA</li> <li>▪ Freely definable value between: 3.59 to 22.5 mA</li> <li>▪ Actual value</li> <li>▪ Last valid value</li> </ul>
--------------	--

**Pulse/frequency/switch output**

<b>Pulse output</b>	
<b>Failure mode</b>	No pulses
<b>Frequency output</b>	
<b>Failure mode</b>	Choose from: <ul style="list-style-type: none"> <li>▪ Actual value</li> <li>▪ 0 Hz</li> <li>▪ Defined value: 0 to 1250 Hz</li> </ul>
<b>Switch output</b>	
<b>Failure mode</b>	Choose from: <ul style="list-style-type: none"> <li>▪ Current status</li> <li>▪ Open</li> <li>▪ Closed</li> </ul>

**FOUNDATION Fieldbus**

<b>Status and alarm messages</b>	Diagnostics in accordance with FF-891
<b>Failure current FDE (Fault Disconnection Electronic)</b>	0 mA

**PROFIBUS PA**

<b>Status and alarm messages</b>	Diagnostics in accordance with PROFIBUS PA Profile 3.02
<b>Failure current FDE (Fault Disconnection Electronic)</b>	0 mA

**Local display**

<b>Plain text display</b>	With information on cause and remedial measures
<b>Backlight</b>	Additionally for device version with SD03 local display: red lighting indicates a device error.



Status signal as per NAMUR recommendation NE 107

**Interface/protocol**

- Via digital communication:
  - HART protocol
  - FOUNDATION Fieldbus
  - PROFIBUS PA
- Via service interface
  - CDI service interface

<b>Plain text display</b>	With information on cause and remedial measures
---------------------------	---



Additional information on remote operation → 85

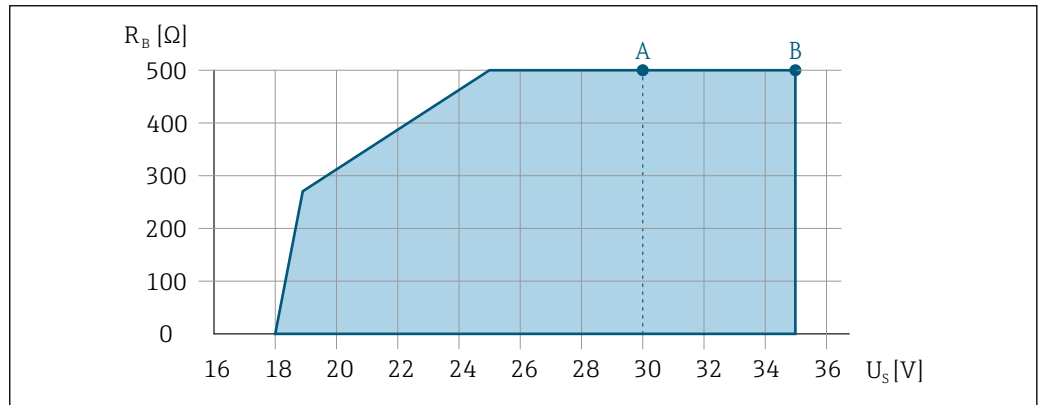
**Load**

Load for current output: 0 to 500 Ω, depending on the external supply voltage of the power supply unit

**Calculation of the maximum load**

Depending on the supply voltage of the power supply unit ( $U_S$ ), the maximum load ( $R_B$ ) including line resistance must be observed to ensure adequate terminal voltage at the device. In doing so, observe the minimum terminal voltage

- For  $U_S = 17.9$  to  $18.9$  V:  $R_B \leq (U_S - 17.9$  V): 0.0036 A
- For  $U_S = 18.9$  to  $24$  V:  $R_B \leq (U_S - 13$  V): 0.022 A
- For  $U_S \geq 24$  V:  $R_B \leq 500 \Omega$



A0013563

- A Operating range for order code for "Output", option A "4-20 mA HART"/option B "4-20 mA HART, pulse/frequency/switch output" with Ex i and option C "4-20 mA HART + 4-20 mA analog"
- B Operating range for order code for "Output", option A "4-20 mA HART"/option B "4-20 mA HART, pulse/frequency/switch output" with non-Ex and Ex d

**Sample calculation**

Supply voltage of power supply unit:  $U_S = 19$  V  
 Maximum load:  $R_B \leq (19$  V - 13 V): 0.022 A = 273  $\Omega$

**Ex connection data**

**Safety-related values**

Type of protection Ex d

Order code for "Output"	Output type	Safety-related values
Option A	4-20mA HART	$U_{nom} = DC 35$ V $U_{max} = 250$ V
Option B	4-20mA HART	$U_{nom} = DC 35$ V $U_{max} = 250$ V
	Pulse/frequency/switch output	$U_{nom} = DC 35$ V $U_{max} = 250$ V $P_{max} = 1$ W <sup>1)</sup>
Option C	4-20mA HART	$U_{nom} = DC 30$ V $U_{max} = 250$ V
	4-20mA analog	
Option D	4-20mA HART	$U_{nom} = DC 35$ V $U_{max} = 250$ V
	Pulse/frequency/switch output	$U_{nom} = DC 35$ V $U_{max} = 250$ V $P_{max} = 1$ W <sup>1)</sup>
	4 to 20 mA current input	$U_{nom} = DC 35$ V $U_{max} = 250$ V
Option E	FOUNDATION Fieldbus	$U_{nom} = DC 32$ V $U_{max} = 250$ V $P_{max} = 0.88$ W
	Pulse/frequency/switch output	$U_{nom} = DC 35$ V $U_{max} = 250$ V $P_{max} = 1$ W <sup>1)</sup>

Order code for "Output"	Output type	Safety-related values
Option G	PROFIBUS PA	$U_{nom} = DC 32 V$ $U_{max} = 250 V$ $P_{max} = 0.88 W$
	Pulse/frequency/switch output	$U_{nom} = DC 35 V$ $U_{max} = 250 V$ $P_{max} = 1 W^{1)}$

1) Internal circuit limited by  $R_i = 760.5 \Omega$

*Type of protection Ex ec Ex nA*

Order code for "Output"	Output type	Safety-related values
Option A	4-20mA HART	$U_{nom} = DC 35 V$ $U_{max} = 250 V$
Option B	4-20mA HART	$U_{nom} = DC 35 V$ $U_{max} = 250 V$
	Pulse/frequency/switch output	$U_{nom} = DC 35 V$ $U_{max} = 250 V$ $P_{max} = 1 W^{1)}$
Option C	4-20mA HART	$U_{nom} = DC 30 V$ $U_{max} = 250 V$
	4-20mA analog	
Option D	4-20mA HART	$U_{nom} = DC 35 V$ $U_{max} = 250 V$
	Pulse/frequency/switch output	$U_{nom} = DC 35 V$ $U_{max} = 250 V$ $P_{max} = 1 W$
	4 to 20 mA current input	$U_{nom} = DC 35 V$ $U_{max} = 250 V$
Option E	FOUNDATION Fieldbus	$U_{nom} = DC 32 V$ $U_{max} = 250 V$ $P_{max} = 0.88 W$
	Pulse/frequency/switch output	$U_{nom} = DC 35 V$ $U_{max} = 250 V$ $P_{max} = 1 W$
Option G	PROFIBUS PA	$U_{nom} = DC 32 V$ $U_{max} = 250 V$ $P_{max} = 0.88 W$
	Pulse/frequency/switch output	$U_{nom} = DC 35 V$ $U_{max} = 250 V$ $P_{max} = 1 W$

1) Internal circuit limited by  $R_i = 760.5 \Omega$

*Type of protection XP*

Order code for "Output"	Output type	Safety-related values
Option A	4-20mA HART	$U_{nom} = DC 35 V$ $U_{max} = 250 V$
Option B	4-20mA HART	$U_{nom} = DC 35 V$ $U_{max} = 250 V$
	Pulse/frequency/switch output	$U_{nom} = DC 35 V$ $U_{max} = 250 V$ $P_{max} = 1 W^{1)}$
Option C	4-20mA HART	$U_{nom} = DC 30 V$ $U_{max} = 250 V$

Order code for "Output"	Output type	Safety-related values
	4-20mA analog	
Option D	4-20mA HART	$U_{nom} = DC 35 V$ $U_{max} = 250 V$
	Pulse/frequency/switch output	$U_{nom} = DC 35 V$ $U_{max} = 250 V$ $P_{max} = 1 W^{1)}$
	4 to 20 mA current input	$U_{nom} = DC 35 V$ $U_{max} = 250 V$
Option E	FOUNDATION Fieldbus	$U_{nom} = DC 32 V$ $U_{max} = 250 V$ $P_{max} = 0.88 W$
	Pulse/frequency/switch output	$U_{nom} = DC 35 V$ $U_{max} = 250 V$ $P_{max} = 1 W^{1)}$
Option G	PROFIBUS PA	$U_{nom} = DC 32 V$ $U_{max} = 250 V$ $P_{max} = 0.88 W$
	Pulse/frequency/switch output	$U_{nom} = DC 35 V$ $U_{max} = 250 V$ $P_{max} = 1 W^{1)}$

1) Internal circuit limited by  $R_i = 760.5 \Omega$

**Intrinsically safe values**

*Type of protection Ex ia*

Order code for "Output"	Output type	Intrinsically safe values
Option A	4-20mA HART	$U_i = DC 30 V$ $I_i = 300 mA$ $P_i = 1 W$ $L_i = 0 \mu H$ $C_i = 5 nF$
Option B	4-20mA HART	$U_i = DC 30 V$ $I_i = 300 mA$ $P_i = 1 W$ $L_i = 0 \mu H$ $C_i = 5 nF$
	Pulse/frequency/switch output	$U_i = DC 30 V$ $I_i = 300 mA$ $P_i = 1 W$ $L_i = 0 \mu H$ $C_i = 6 nF$
Option C	4-20mA HART	$U_i = DC 30 V$ $I_i = 300 mA$ $P_i = 1 W$ $L_i = 0 \mu H$ $C_i = 30 nF$
	4-20mA analog	

Order code for "Output"	Output type	Intrinsically safe values	
Option D	4-20mA HART	$U_i = DC\ 30\ V$ $I_i = 300\ mA$ $P_i = 1\ W$ $L_i = 0\ \mu H$ $C_i = 5\ nF$	
	Pulse/frequency/switch output	$U_i = DC\ 30\ V$ $I_i = 300\ mA$ $P_i = 1\ W$ $L_i = 0\ \mu H$ $C_i = 6\ nF$	
	4 to 20 mA current input	$U_i = DC\ 30\ V$ $I_i = 300\ mA$ $P_i = 1\ W$ $L_i = 0\ \mu H$ $C_i = 5\ nF$	
Option E	FOUNDATION Fieldbus	STANDARD $U_i = 30\ V$ $I_i = 300\ mA$ $P_i = 1.2\ W$ $L_i = 10\ \mu H$ $C_i = 5\ nF$	FISCO $U_i = 17.5\ V$ $I_i = 550\ mA$ $P_i = 5.5\ W$ $L_i = 10\ \mu H$ $C_i = 5\ nF$
	Pulse/frequency/switch output	$U_i = 30\ V$ $I_i = 300\ mA$ $P_i = 1\ W$ $L_i = 0\ \mu H$ $C_i = 6\ nF$	
Option G	PROFIBUS PA	STANDARD $U_i = 30\ V$ $I_i = 300\ mA$ $P_i = 1.2\ W$ $L_i = 10\ \mu H$ $C_i = 5\ nF$	FISCO $U_i = 17.5\ V$ $I_i = 550\ mA$ $P_i = 5.5\ W$ $L_i = 10\ \mu H$ $C_i = 5\ nF$
	Pulse/frequency/switch output	$U_i = 30\ V$ $I_i = 300\ mA$ $P_i = 1\ W$ $L_i = 0\ \mu H$ $C_i = 6\ nF$	

## Type of protection Ex ic

Order code for "Output"	Output type	Intrinsically safe values	
Option A	4-20mA HART	$U_i = DC\ 35\ V$ $I_i = n.a.$ $P_i = 1\ W$ $L_i = 0\ \mu H$ $C_i = 5\ nF$	
Option B	4-20mA HART	$U_i = DC\ 35\ V$ $I_i = n.a.$ $P_i = 1\ W$ $L_i = 0\ \mu H$ $C_i = 5\ nF$	
	Pulse/frequency/switch output	$U_i = DC\ 35\ V$ $I_i = n.a.$ $P_i = 1\ W$ $L_i = 0\ \mu H$ $C_i = 6\ nF$	
Option C	4-20mA HART	$U_i = DC\ 30\ V$ $I_i = n.a.$ $P_i = 1\ W$ $L_i = 0\ \mu H$ $C_i = 30\ nF$	
	4-20mA analog		

Order code for "Output"	Output type	Intrinsically safe values	
Option D	4-20mA HART	$U_i = DC\ 35\ V$ $I_i = n.a.$ $P_i = 1\ W$ $L_i = 0\ \mu H$ $C_i = 5\ nF$	
	Pulse/frequency/switch output	$U_i = DC\ 35\ V$ $I_i = n.a.$ $P_i = 1\ W$ $L_i = 0\ \mu H$ $C_i = 6\ nF$	
	4 to 20 mA current input	$U_i = DC\ 35\ V$ $I_i = n.a.$ $P_i = 1\ W$ $L_i = 0\ \mu H$ $C_i = 5\ nF$	
Option E	FOUNDATION Fieldbus	STANDARD $U_i = 32\ V$ $I_i = 300\ mA$ $P_i = n.a.$ $L_i = 10\ \mu H$ $C_i = 5\ nF$	FISCO $U_i = 17.5\ V$ $I_i = n.a.$ $P_i = n.a.$ $L_i = 10\ \mu H$ $C_i = 5\ nF$
	Pulse/frequency/switch output	$U_i = 35\ V$ $I_i = 300\ mA$ $P_i = 1\ W$ $L_i = 0\ \mu H$ $C_i = 6\ nF$	
Option G	PROFIBUS PA	STANDARD $U_i = 32\ V$ $I_i = 300\ mA$ $P_i = n.a.$ $L_i = 10\ \mu H$ $C_i = 5\ nF$	FISCO $U_i = 17.5\ V$ $I_i = n.a.$ $P_i = n.a.$ $L_i = 10\ \mu H$ $C_i = 5\ nF$
	Pulse/frequency/switch output	$U_i = 35\ V$ $I_i = 300\ mA$ $P_i = 1\ W$ $L_i = 0\ \mu H$ $C_i = 6\ nF$	

Type of protection IS

Order code for "Output"	Output type	Intrinsically safe values	
Option A	4-20mA HART	$U_i = DC\ 30\ V$ $I_i = 300\ mA$ $P_i = 1\ W$ $L_i = 0\ \mu H$ $C_i = 5\ nF$	
Option B	4-20mA HART	$U_i = DC\ 30\ V$ $I_i = 300\ mA$ $P_i = 1\ W$ $L_i = 0\ \mu H$ $C_i = 5\ nF$	
	Pulse/frequency/switch output	$U_i = DC\ 30\ V$ $I_i = 300\ mA$ $P_i = 1\ W$ $L_i = 0\ \mu H$ $C_i = 6\ nF$	
Option C	4-20mA HART	$U_i = DC\ 30\ V$ $I_i = 300\ mA$ $P_i = 1\ W$ $L_i = 0\ \mu H$ $C_i = 30\ nF$	
	4-20mA analog		

Order code for "Output"	Output type	Intrinsically safe values	
Option D	4-20mA HART	$U_i = \text{DC } 30 \text{ V}$ $I_i = 300 \text{ mA}$ $P_i = 1 \text{ W}$ $L_i = 0 \text{ } \mu\text{H}$ $C_i = 5 \text{ nF}$	
	Pulse/frequency/switch output	$U_i = \text{DC } 30 \text{ V}$ $I_i = 300 \text{ mA}$ $P_i = 1 \text{ W}$ $L_i = 0 \text{ } \mu\text{H}$ $C_i = 6 \text{ nF}$	
	4 to 20 mA current input	$U_i = \text{DC } 30 \text{ V}$ $I_i = 300 \text{ mA}$ $P_i = 1 \text{ W}$ $L_i = 0 \text{ } \mu\text{H}$ $C_i = 5 \text{ nF}$	
Option E	FOUNDATION Fieldbus	STANDARD $U_i = 30 \text{ V}$ $I_i = 300 \text{ mA}$ $P_i = 1.2 \text{ W}$ $L_i = 10 \text{ } \mu\text{H}$ $C_i = 5 \text{ nF}$	FISCO $U_i = 17.5 \text{ V}$ $I_i = 550 \text{ mA}$ $P_i = 5.5 \text{ W}$ $L_i = 10 \text{ } \mu\text{H}$ $C_i = 5 \text{ nF}$
	Pulse/frequency/switch output	$U_i = 30 \text{ V}$ $I_i = 300 \text{ mA}$ $P_i = 1 \text{ W}$ $L_i = 0 \text{ } \mu\text{H}$ $C_i = 6 \text{ nF}$	
Option G	PROFIBUS PA	STANDARD $U_i = 30 \text{ V}$ $I_i = 300 \text{ mA}$ $P_i = 1.2 \text{ W}$ $L_i = 10 \text{ } \mu\text{H}$ $C_i = 5 \text{ nF}$	FISCO $U_i = 17.5 \text{ V}$ $I_i = 550 \text{ mA}$ $P_i = 5.5 \text{ W}$ $L_i = 10 \text{ } \mu\text{H}$ $C_i = 5 \text{ nF}$
	Pulse/frequency/switch output	$U_i = 30 \text{ V}$ $I_i = 300 \text{ mA}$ $P_i = 1 \text{ W}$ $L_i = 0 \text{ } \mu\text{H}$ $C_i = 6 \text{ nF}$	

**Low flow cut off** The switch points for low flow cut off are preset and can be configured.


**Galvanic isolation** All inputs and outputs are galvanically isolated from one another.

**Protocol-specific data** **HART**

<b>Manufacturer ID</b>	0x11
<b>Device type ID</b>	0x0038
<b>HART protocol revision</b>	7
<b>Device description files (DTM, DD)</b>	Information and files under: <a href="http://www.endress.com">www.endress.com</a>
<b>HART load</b>	<ul style="list-style-type: none"> <li>▪ Min. 250 <math>\Omega</math></li> <li>▪ Max. 500 <math>\Omega</math></li> </ul>
<b>System integration</b>	For information on system integration, see Operating Instructions. → 96 <ul style="list-style-type: none"> <li>▪ Measured variables via HART protocol</li> <li>▪ Burst Mode functionality</li> </ul>



## FOUNDATION Fieldbus

Manufacturer ID	0x452B48
Ident number	0x1038
Device revision	2
DD revision	Information and files under:
CFF revision	<ul style="list-style-type: none"> <li>▪ <a href="http://www.endress.com">www.endress.com</a></li> <li>▪ <a href="http://www.fieldbus.org">www.fieldbus.org</a></li> </ul>
Device Tester Version (ITK version)	6.2.0
ITK Test Campaign Number	Information: <ul style="list-style-type: none"> <li>▪ <a href="http://www.endress.com">www.endress.com</a></li> <li>▪ <a href="http://www.fieldbus.org">www.fieldbus.org</a></li> </ul>
Link Master capability (LAS)	Yes
Choice of "Link Master" and "Basic Device"	Yes Factory setting: Basic Device
Node address	Factory setting: 247 (0xF7)
Supported functions	The following methods are supported: <ul style="list-style-type: none"> <li>▪ Restart</li> <li>▪ ENP Restart</li> <li>▪ Diagnostic</li> <li>▪ Read events</li> <li>▪ Read trend data</li> </ul>
<b>Virtual Communication Relationships (VCRs)</b>	
Number of VCRs	44
Number of link objects in VFD	50
Permanent entries	1
Client VCRs	0
Server VCRs	10
Source VCRs	43
Sink VCRs	0
Subscriber VCRs	43
Publisher VCRs	43
<b>Device Link Capabilities</b>	
Slot time	4
Min. delay between PDU	8
Max. response delay	Min. 5
System integration	For information on system integration, see Operating Instructions. →  96 <ul style="list-style-type: none"> <li>▪ Cyclic data transmission</li> <li>▪ Description of the modules</li> <li>▪ Execution times</li> <li>▪ Methods</li> </ul>

## PROFIBUS PA

Manufacturer ID	0x11
Ident number	0x1564
Profile version	3.02
Device description files (GSD, DTM, DD)	Information and files under: <ul style="list-style-type: none"> <li>▪ <a href="http://www.endress.com">www.endress.com</a></li> <li>▪ <a href="http://www.profibus.org">www.profibus.org</a></li> </ul>

<b>Supported functions</b>	<ul style="list-style-type: none"> <li>▪ Identification &amp; Maintenance Simple device identification via control system and nameplate</li> <li>▪ PROFIBUS upload/download Reading and writing parameters is up to ten times faster with PROFIBUS upload/download</li> <li>▪ Condensed status Simplest and self-explanatory diagnostic information by categorizing diagnostic messages that occur</li> </ul>
<b>Configuration of the device address</b>	<ul style="list-style-type: none"> <li>▪ DIP switches on the I/O electronics module</li> <li>▪ Local display</li> <li>▪ Via operating tools (e. g. FieldCare)</li> </ul>
<b>System integration</b>	<p>For information on system integration, see Operating Instructions. →  96</p> <ul style="list-style-type: none"> <li>▪ Cyclic data transmission</li> <li>▪ Block model</li> <li>▪ Description of the modules</li> </ul>

## Power supply

### Terminal assignment

### Transmitter

#### Connection versions

<p><i>Maximum number of terminals</i> Terminals 1 to 6: Without integrated overvoltage protection</p>	<p><i>Maximum number of terminals for order code for "Accessory mounted", option NA "Overvoltage protection"</i></p> <ul style="list-style-type: none"> <li>▪ Terminals 1 to 4: With integrated overvoltage protection</li> <li>▪ Terminals 5 to 6: Without integrated overvoltage protection</li> </ul>
<p>1 Output 1 (passive): supply voltage and signal transmission                  2 Output 2 (passive): supply voltage and signal transmission                  3 Input (passive): supply voltage and signal transmission                  4 Ground terminal for cable shield</p>	

Order code for "Output"	Terminal numbers					
	Output 1		Output 2		Input	
	1 (+)	2 (-)	3 (+)	4 (-)	5 (+)	6 (-)
Option A	4-20 mA HART (passive)		-		-	
Option B <sup>1)</sup>	4-20 mA HART (passive)		Pulse/frequency/switch output (passive)		-	
Option C <sup>1)</sup>	4-20 mA HART (passive)		4-20 mA analog (passive)		-	
Option D <sup>1) 2)</sup>	4-20 mA HART (passive)		Pulse/frequency/switch output (passive)		4-20 mA current input (passive)	

Order code for "Output"	Terminal numbers					
	Output 1		Output 2		Input	
	1 (+)	2 (-)	3 (+)	4 (-)	5 (+)	6 (-)
Option <b>E</b> <sup>1) 3)</sup>	FOUNDATION Fieldbus		Pulse/frequency/switch output (passive)		-	
Option <b>G</b> <sup>1) 4)</sup>	PROFIBUS PA		Pulse/frequency/switch output (passive)		-	

- 1) Output 1 must always be used; output 2 is optional.
- 2) The integrated overvoltage protection is not used with option D: Terminals 5 and 6 (current input) are not protected against overvoltage.
- 3) FOUNDATION Fieldbus with integrated reverse polarity protection.
- 4) PROFIBUS PA with integrated reverse polarity protection.

### Connecting cable for remote version

#### Transmitter and sensor connection housing

In the case of the remote version, the sensor and transmitter are mounted separately from on another and connected by a connecting cable. Connection is performed via the sensor connection housing and the transmitter housing.

**i** How the connecting cable is connected in the transmitter housing depends on the measuring device approval and the version of the connecting cable used.

In the following versions, only terminals can be used for connection in the transmitter housing:

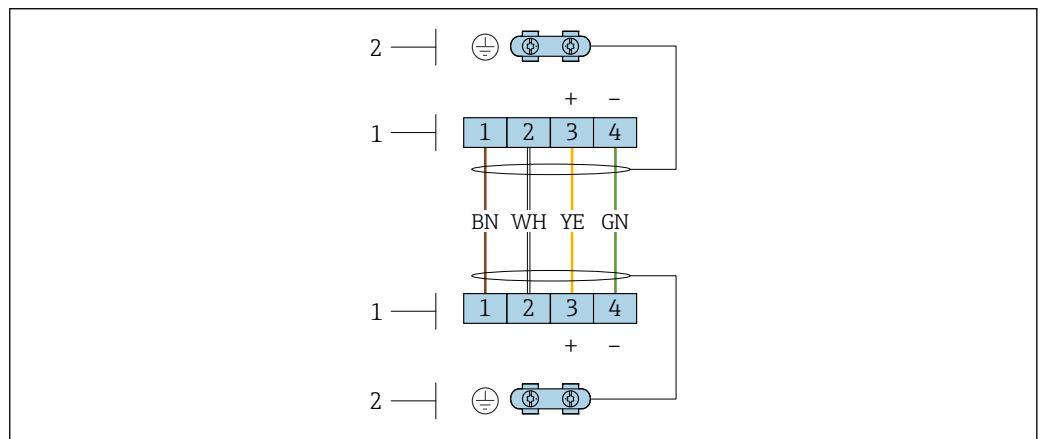
- Certain approvals: Ex nA, Ex ec, Ex tb and Division 1
- Use of reinforced connecting cable
- Order code for "Sensor version; DSC sensor; measuring tube", option DA, DB

In the following versions, an M12 device connector is used for connection in the transmitter housing:

- All other approvals
- Use of connecting cable (standard)

Terminals are always used to connect the connecting cable in the sensor connection housing (tightening torques for screws for cable strain relief: 1.2 to 1.7 Nm).

#### Connecting cable (standard, reinforced)



**2** Terminals for connection compartment in the transmitter wall holder and the sensor connection housing

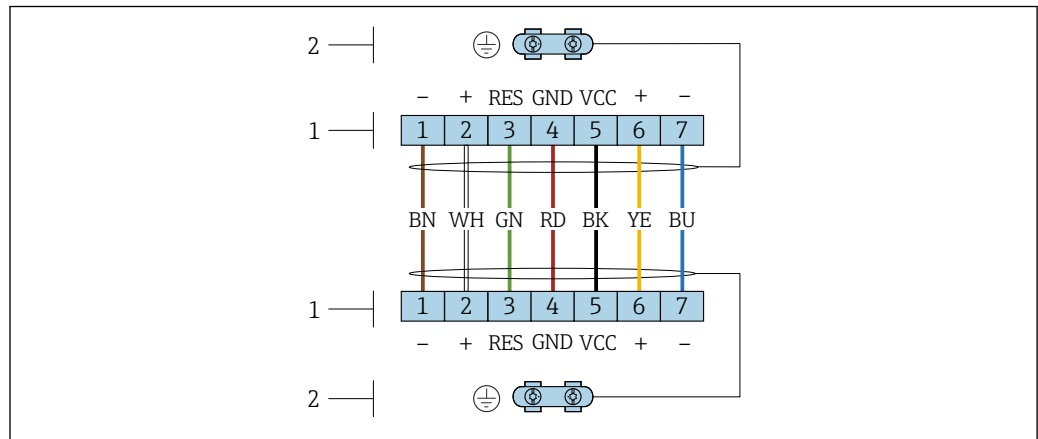
- 1 Terminals for connecting cable
- 2 Grounding via the cable strain relief

Terminal number	Assignment	Cable color Connecting cable
1	Supply voltage	Brown
2	Grounding	White

Terminal number	Assignment	Cable color Connecting cable
3	RS485 (+)	Yellow
4	RS485 (-)	Green

Connecting cable (option "mass pressure-/temperature-compensated")

Order code for "Sensor version; DSC sensor; measuring tube", option DA, DB



A0034571

3 Terminals for connection compartment in the transmitter wall holder and the sensor connection housing

- 1 Terminals for connecting cable
- 2 Grounding via the cable strain relief

Terminal number	Assignment	Cable color Connecting cable
1	RS485 (-) DPC	Brown
2	RS485 (+) DPC	White
3	Reset	Green
4	Supply voltage	red
5	Grounding	Black
6	RS485 (+)	Yellow
7	RS485 (-)	Blue

Pin assignment, device plug

PROFIBUS PA

	Pin	Assignment	Coding	Plug/socket	
	1	+			PROFIBUS PA +
	2				Grounding
	3	-			PROFIBUS PA -
	4				Not assigned

FOUNDATION Fieldbus

	Pin	Assignment	Coding	Plug/socket	
	1	+			Signal +
	2	-			Signal -

	3		Grounding		
	4		Not assigned		

**Supply voltage**

**Transmitter**

An external power supply is required for each output.

*Supply voltage for a compact version without a local display<sup>1)</sup>*







Order code for "Output; input"	Minimum terminal voltage <sup>2)</sup>	Maximum terminal voltage
Option A: 4-20 mA HART	≥ DC 12 V	DC 35 V
Option B: 4-20 mA HART, pulse/frequency/switch output	≥ DC 12 V	DC 35 V
Option C: 4-20 mA HART + 4-20 mA analog	≥ DC 12 V	DC 30 V
Option D: 4-20 mA HART, pulse/frequency/switch output, 4-20 mA current input <sup>3)</sup>	≥ DC 12 V	DC 35 V
Option E: FOUNDATION Fieldbus, pulse/frequency/switch output	≥ DC 9 V	DC 32 V
Option G: PROFIBUS PA, pulse/frequency/switch output	≥ DC 9 V	DC 32 V

- 1) In event of external supply voltage of the power supply unit with load, the PROFIBUS DP/PA coupler or FOUNDATION Fieldbus power conditioners
- 2) The minimum terminal voltage increases if local operation is used: see the following table
- 3) Voltage drop 2.2 to 3 V for 3.59 to 22 mA

*Increase in minimum terminal voltage*

Order code for "Display; operation"	Increase in minimum terminal voltage
Option C: Local operation SD02	+ DC 1 V
Option E: Local operation SD03 with lighting (backlighting not used)	+ DC 1 V
Option E: Local operation SD03 with lighting (backlighting used)	+ DC 3 V

Order code for "Sensor version; DSC sensor; measuring tube"	Increase in minimum terminal voltage
Option DA: Mass steam; 316L; 316L (integrated pressure/temperature measurement)	+ DC 1 V
Option DB: Mass gas/liquid; 316L; 316L (integrated pressure/temperature measurement)	+ DC 1 V

-  For information about the load see →  18
-  Various power supply units can be ordered from Endress+Hauser: →  95
-  For information on the Ex connection values →  19

## Power consumption

## Transmitter

Order code for "Output; input"	Maximum power consumption
Option A: 4-20 mA HART	770 mW
Option B: 4-20 mA HART, pulse/frequency/switch output	<ul style="list-style-type: none"> <li>▪ Operation with output 1: 770 mW</li> <li>▪ Operation with output 1 and 2: 2 770 mW</li> </ul>
Option C: 4-20 mA HART + 4-20 mA analog	<ul style="list-style-type: none"> <li>▪ Operation with output 1: 660 mW</li> <li>▪ Operation with output 1 and 2: 1 320 mW</li> </ul>
Option D: 4-20 mA HART, pulse/frequency/switch output, 4-20 mA current input	<ul style="list-style-type: none"> <li>▪ Operation with output 1: 770 mW</li> <li>▪ Operation with output 1 and 2: 2 770 mW</li> <li>▪ Operation with output 1 and input: 840 mW</li> <li>▪ Operation with output 1, 2 and input: 2840 mW</li> </ul>
Option E: FOUNDATION Fieldbus, pulse/frequency/switch output	<ul style="list-style-type: none"> <li>▪ Operation with output 1: 512 mW</li> <li>▪ Operation with output 1 and 2: 2 512 mW</li> </ul>
Option G: PROFIBUS PA, pulse/frequency/switch output	<ul style="list-style-type: none"> <li>▪ Operation with output 1: 512 mW</li> <li>▪ Operation with output 1 and 2: 2 512 mW</li> </ul>



For information on the Ex connection values → 19

## Current consumption

## Current output

For every 4-20 mA or 4-20 mA HART current output: 3.6 to 22.5 mA



If the option **Defined value** is selected in the **Failure mode** parameter : 3.59 to 22.5 mA

## Current input

3.59 to 22.5 mA



Internal current limiting: max. 26 mA

## FOUNDATION Fieldbus

15 mA

## PROFIBUS PA

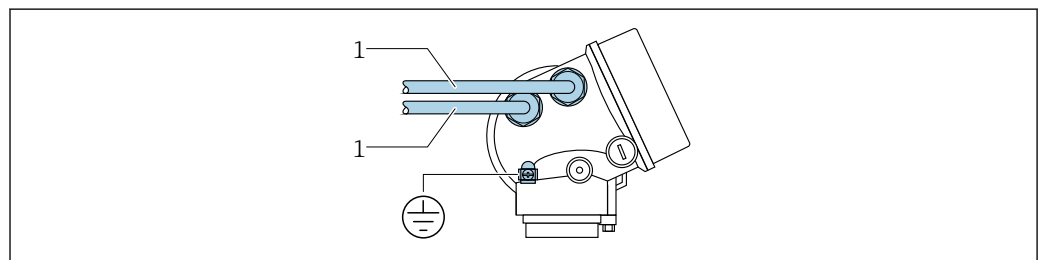
15 mA

## Power supply failure

- Totalizers stop at the last value measured.
- Depending on the device version, the configuration is retained in the device memory or in the pluggable data memory (HistoROM DAT).
- Error messages (incl. total operated hours) are stored.

## Electrical connection

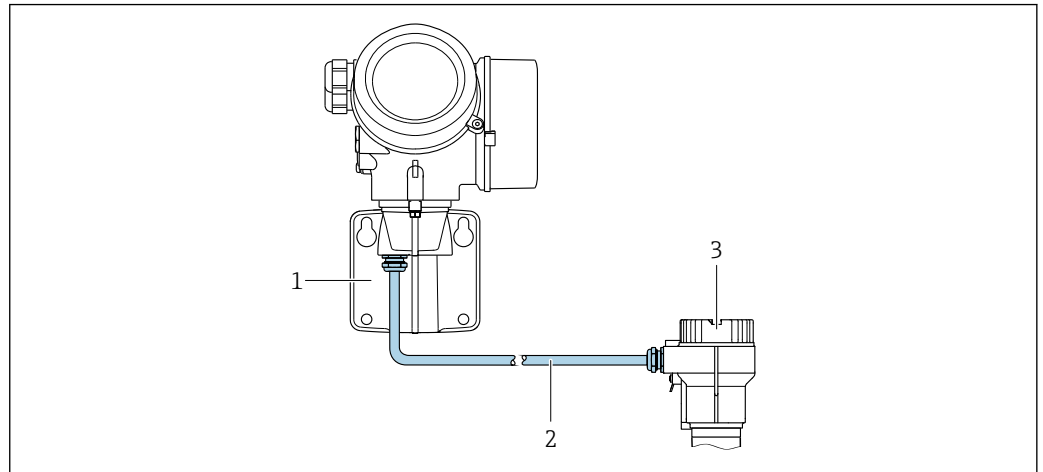
## Connecting the transmitter



1 Cable entries for inputs/outputs

**Remote version connection**

*Connecting cable*



4 Connecting cable connection

- 1 Wall holder with connection compartment (transmitter)
- 2 Connecting cable
- 3 Sensor connection housing

**i** How the connecting cable is connected in the transmitter housing depends on the measuring device approval and the version of the connecting cable used.

In the following versions, only terminals can be used for connection in the transmitter housing:

- Certain approvals: Ex nA, Ex ec, Ex tb and Division 1
- Use of reinforced connecting cable
- Order code for "Sensor version; DSC sensor; measuring tube", option DA, DB

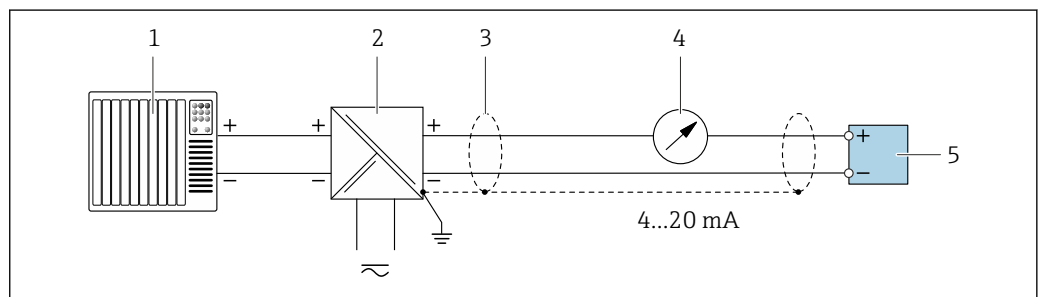
In the following versions, an M12 device connector is used for connection in the transmitter housing:

- All other approvals
- Use of connecting cable (standard)

Terminals are always used to connect the connecting cable in the sensor connection housing (tightening torques for screws for cable strain relief: 1.2 to 1.7 Nm).

**Connection examples**

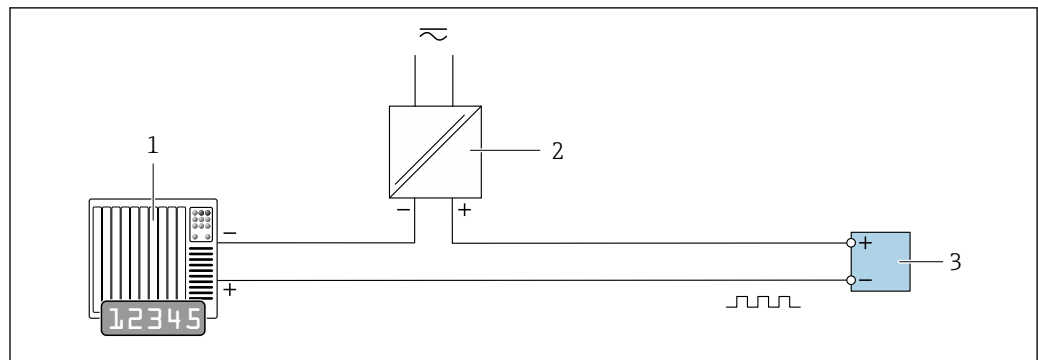
*Current output 4-20 mA HART*



5 Connection example for 4 to 20 mA HART current output (passive)

- 1 Automation system with current input (e.g. PLC)
- 2 Power supply
- 3 Cable shield provided at one end. The cable shield must be grounded at both ends to comply with EMC requirements; observe cable specifications
- 4 Analog display unit: observe maximum load
- 5 Transmitter

## Pulse/frequency output

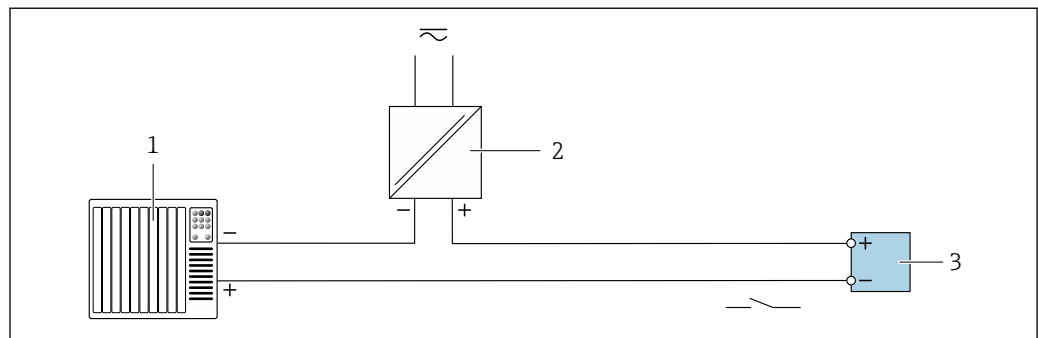


A0028761

6 Connection example for pulse/frequency output (passive)

- 1 Automation system with pulse/frequency input (e.g. PLC)
- 2 Power supply
- 3 Transmitter: Observe input values

## Switch output



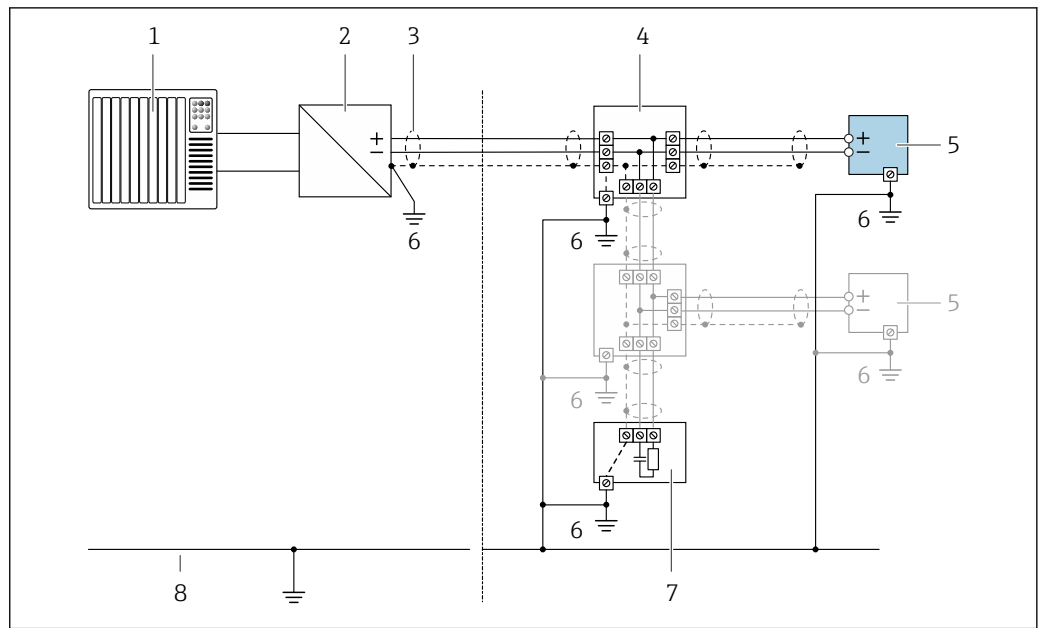
A0028760

7 Connection example for switch output (passive)

- 1 Automation system with switch input (e.g. PLC)
- 2 Power supply
- 3 Transmitter: Observe input values



FOUNDATION Fieldbus

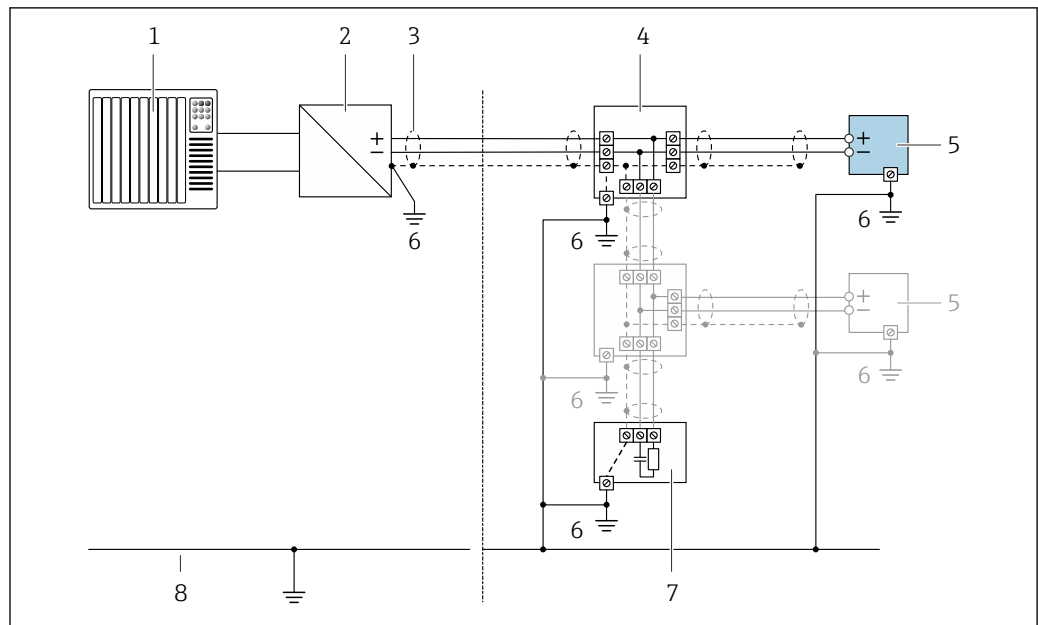


A0028768

8 Connection example for FOUNDATION Fieldbus

- 1 Control system (e.g. PLC)
- 2 Power Conditioner (FOUNDATION Fieldbus)
- 3 Cable shield provided at one end. The cable shield must be grounded at both ends to comply with EMC requirements; observe cable specifications
- 4 T-box
- 5 Measuring device
- 6 Local grounding
- 7 Bus terminator
- 8 Potential matching line

PROFIBUS PA

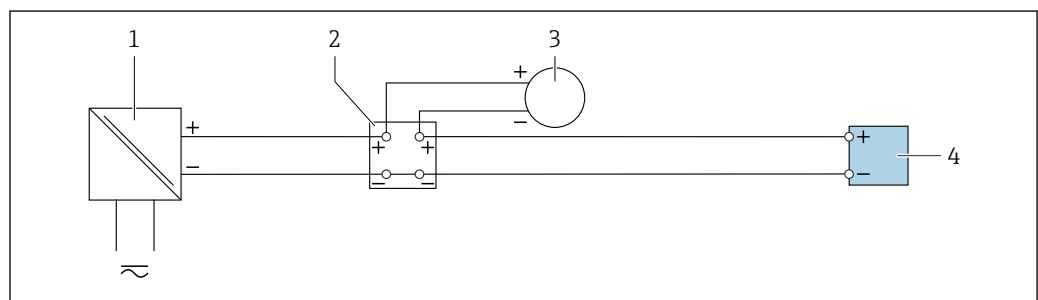


A0028768

9 Connection example for PROFIBUS PA

- 1 Control system (e.g. PLC)
- 2 PROFIBUS PA segment coupler
- 3 Cable shield provided at one end. The cable shield must be grounded at both ends to comply with EMC requirements; observe cable specifications
- 4 T-box
- 5 Measuring device
- 6 Local grounding
- 7 Bus terminator
- 8 Potential matching line

Current input

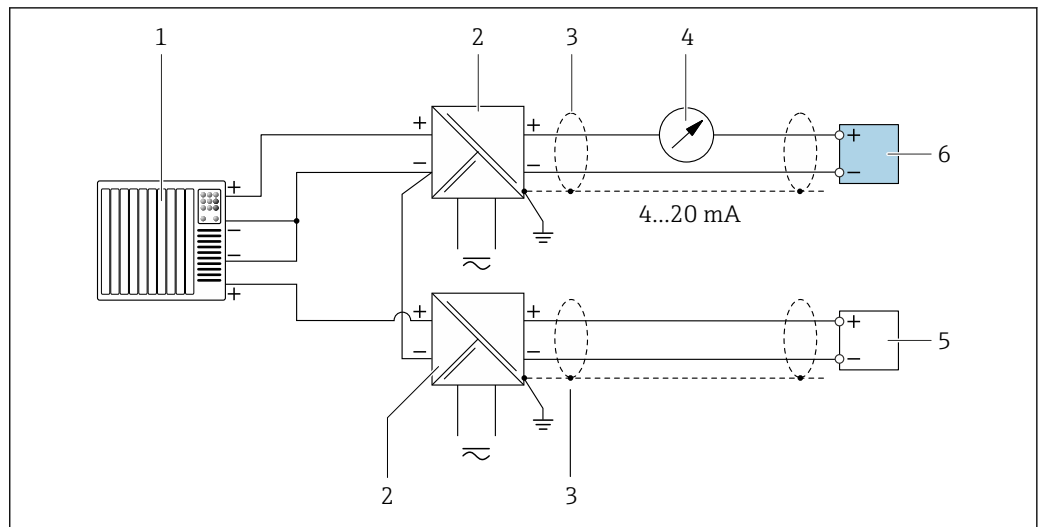


A0028915

10 Connection example for 4-20 mA current input

- 1 Active barrier for power supply (e.g. RN221N)
- 2 Terminal box
- 3 External measuring device (to read in pressure or temperature, for instance)
- 4 Transmitter

HART input



A0028763

11 Connection example for HART input with a common negative (passive)

- 1 Automation system with HART output (e.g. PLC)
- 2 Active barrier for power supply (e.g. RN221N)
- 3 Cable shield provided at one end. The cable shield must be grounded at both ends to comply with EMC requirements; observe cable specifications
- 4 Analog display unit; observe maximum load
- 5 Pressure measuring device (e.g. Cerabar M, Cerabar S); see requirements
- 6 Transmitter

Potential equalization

Requirements

Please consider the following to ensure correct measurement:

- Same electrical potential for the fluid and sensor
- Remote version: same electrical potential for the sensor and transmitter
- Company-internal grounding concepts
- Pipe material and grounding

Terminals

- For device version without integrated overvoltage protection: plug-in spring terminals for wire cross-sections 0.5 to 2.5 mm<sup>2</sup> (20 to 14 AWG)
- For device version with integrated overvoltage protection: screw terminals for wire cross-sections 0.2 to 2.5 mm<sup>2</sup> (24 to 14 AWG)

Cable entries

- Cable gland (not for Ex d): M20 × 1.5 with cable Ø 6 to 12 mm (0.24 to 0.47 in)
- Thread for cable entry:
  - For non-hazardous and hazardous areas: NPT ½"
  - For non-hazardous and hazardous areas (not for XP): G ½"
  - For Ex d: M20 × 1.5

Cable specification

Permitted temperature range

- The installation guidelines that apply in the country of installation must be observed.
- The cables must be suitable for the minimum and maximum temperatures to be expected.

Signal cable

Current output 4 to 20 mA HART

A shielded cable is recommended. Observe grounding concept of the plant.

Current output 4 to 20 mA

Standard installation cable is sufficient.

Pulse/frequency/switch output

Standard installation cable is sufficient.

*Current input*

Standard installation cable is sufficient.

*FOUNDATION Fieldbus*

Twisted, shielded two-wire cable.



For further information on planning and installing FOUNDATION Fieldbus networks see:

- Operating Instructions for "FOUNDATION Fieldbus Overview" (BA00013S)
- FOUNDATION Fieldbus Guideline
- IEC 61158-2 (MBP)

*PROFIBUS PA*

Twisted, shielded two-wire cable. Cable type A is recommended .



For further information on planning and installing PROFIBUS networks see:

- Operating Instructions "PROFIBUS DP/PA: Guidelines for planning and commissioning" (BA00034S)
- PNO Directive 2.092 "PROFIBUS PA User and Installation Guideline"
- IEC 61158-2 (MBP)

**Connecting cable for remote version***Connecting cable (standard)*

<b>Standard cable</b>	2 × 2 × 0.5 mm <sup>2</sup> (22 AWG) PVC cable with common shield (2 pairs, pair-stranded) <sup>1)</sup>
<b>Flame resistance</b>	According to DIN EN 60332-1-2
<b>Oil-resistance</b>	According to DIN EN 60811-2-1
<b>Shielding</b>	Galvanized copper-braid, opt. density approx.85 %
<b>Cable length</b>	5 m (16 ft), 10 m (32 ft), 20 m (65 ft), 30 m (98 ft)
<b>Operating temperature</b>	When mounted in a fixed position: -50 to +105 °C (-58 to +221 °F); when cable can move freely: -25 to +105 °C (-13 to +221 °F)

- 1) UV radiation may cause damage to the outer jacket of the cable. Protect the cable from exposure to sun as much as possible.

*Connecting cable (reinforced)*

<b>Cable, reinforced</b>	2 × 2 × 0.34 mm <sup>2</sup> (22 AWG) PVC cable with common shield (2 pairs, pair-stranded) and additional steel-wire braided sheath <sup>1)</sup>
<b>Flame resistance</b>	According to DIN EN 60332-1-2
<b>Oil-resistance</b>	According to DIN EN 60811-2-1
<b>Shielding</b>	Galvanized copper-braid, opt. density approx. 85%
<b>Strain relief and reinforcement</b>	Steel-wire braid, galvanized
<b>Cable length</b>	5 m (16 ft), 10 m (32 ft), 20 m (65 ft), 30 m (98 ft)
<b>Operating temperature</b>	When mounted in a fixed position: -50 to +105 °C (-58 to +221 °F); when cable can move freely: -25 to +105 °C (-13 to +221 °F)

- 1) UV radiation may cause damage to the outer jacket of the cable. Protect the cable from exposure to sun as much as possible.

*Connecting cable (option "mass pressure-/temperature-compensated")*

Order code for "Sensor version; DSC sensor; measuring tube", option DA, DB

<b>Standard cable</b>	$[(3 \times 2) + 1] \times 0.34 \text{ mm}^2$ (22 AWG)PVC cable with common shield (3 pairs, pair-stranded) <sup>1)</sup>
<b>Flame resistance</b>	According to DIN EN 60332-1-2
<b>Oil-resistance</b>	According to DIN EN 60811-2-1
<b>Shielding</b>	Galvanized copper-braid, opt. density approx. 85%
<b>Cable length</b>	10 m (32 ft), 30 m (98 ft)
<b>Operating temperature</b>	When mounted in a fixed position: -50 to +105 °C (-58 to +221 °F); when cable can move freely: -25 to +105 °C (-13 to +221 °F)

- 1) UV radiation may cause damage to the outer jacket of the cable. Protect the cable from exposure to sun as much as possible.

**Connecting cable (option "mass pressure-/temperature-compensated")**

Order code for "Sensor version; DSC sensor; measuring tube", option DA, DB


<b>Standard cable</b>	$[(3 \times 2) + 1] \times 0.34 \text{ mm}^2$ (22 AWG)PVC cable with common shield (3 pairs, pair-stranded) <sup>1)</sup>
<b>Flame resistance</b>	According to DIN EN 60332-1-2
<b>Oil-resistance</b>	According to DIN EN 60811-2-1
<b>Shielding</b>	Galvanized copper-braid, opt. density approx. 85%
<b>Cable length</b>	10 m (32 ft), 30 m (98 ft)
<b>Operating temperature</b>	When mounted in a fixed position: -50 to +105 °C (-58 to +221 °F); when cable can move freely: -25 to +105 °C (-13 to +221 °F)

- 1) UV radiation may cause damage to the outer jacket of the cable. Protect the cable from exposure to sun as much as possible.


**Overvoltage protection**

The device can be ordered with integrated overvoltage protection for diverse approvals:

*Order code for "Accessory mounted", option NA "Overvoltage protection"*

<b>Input voltage range</b>	Values correspond to supply voltage specifications →  29 <sup>1)</sup>
<b>Resistance per channel</b>	2 · 0.5 Ω max.
<b>DC sparkover voltage</b>	400 to 700 V
<b>Trip surge voltage</b>	< 800 V
<b>Capacitance at 1 MHz</b>	< 1.5 pF
<b>Nominal discharge current (8/20 μs)</b>	10 kA
<b>Temperature range</b>	-40 to +85 °C (-40 to +185 °F)

- 1) The voltage is reduced by the amount of the internal resistance  $I_{min} \cdot R_i$



 Depending on the temperature class, restrictions apply to the ambient temperature for device versions with overvoltage protection .

 For detailed information on the temperature tables, see the "Safety Instructions" (XA) for the device.

## Performance characteristics

### Reference operating conditions

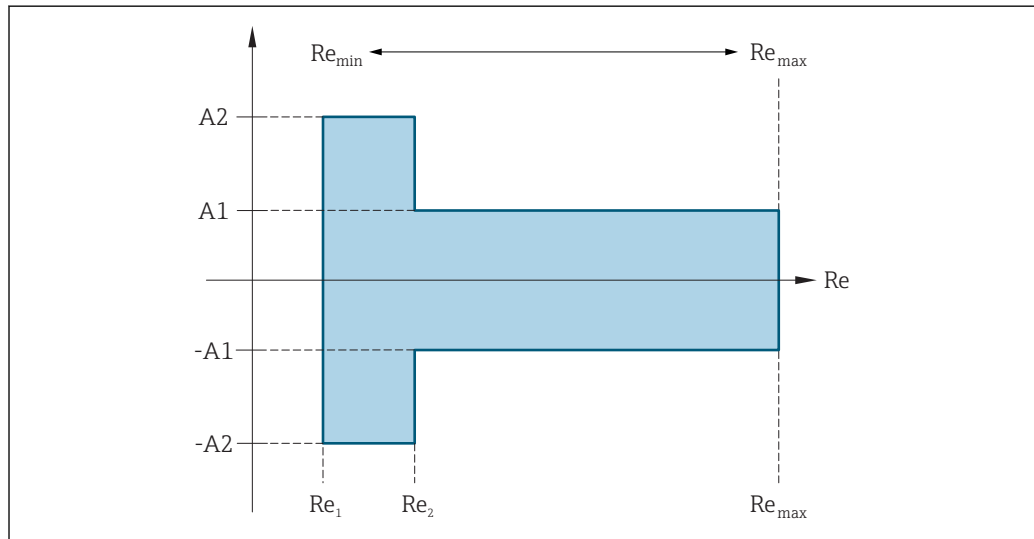
- Error limits following ISO/DIN 11631
- +20 to +30 °C (+68 to +86 °F)
- 2 to 4 bar (29 to 58 psi)
- Calibration system traceable to national standards
- Calibration with the process connection corresponding to the particular standard

 To obtain measured errors, use the *Applicator* sizing tool →  95



### Maximum measured error

### Base accuracy

o.r. = of reading



A0034077

Reynolds number	
Re <sub>1</sub>	5 000
Re <sub>2</sub>	10 000
Re <sub>min</sub>	Reynolds number for minimum permitted volume flow in measuring tube <ul style="list-style-type: none"> <li>▪ Standard</li> <li>▪ Option N "0.65% volume PremiumCal 5-point</li> </ul> $Q_{\text{AmpMin}} [\text{m}^3/\text{h}] = \frac{v_{\text{AmpMin}} [\text{m/s}] \cdot \pi \cdot D_i [\text{m}]^2}{4 \cdot \sqrt{\frac{\rho [\text{kg}/\text{m}^3]}{1 [\text{kg}/\text{m}^3]}}} \cdot 3600 [\text{s/h}]$ $Q_{\text{AmpMin}} [\text{ft}^3/\text{min}] = \frac{v_{\text{AmpMin}} [\text{ft/s}] \cdot \pi \cdot D_i [\text{ft}]^2}{4 \cdot \sqrt{\frac{\rho [\text{lbm}/\text{ft}^3]}{0.0624 [\text{lbm}/\text{ft}^3]}}} \cdot 60 [\text{s/min}]$
Re <sub>max</sub>	Defined by internal diameter of measuring tube, Mach number and maximum permitted velocity in measuring tube $Re_{\text{max}} = \frac{\rho \cdot 4 \cdot Q_{\text{Heigh}}}{\mu \cdot K}$ <p> Further information on effective upper range value Q<sub>High</sub> →  13</p>

A0034304

A0034339

*Volume flow*

Medium type		Incompressible		Compressible	
Reynolds number range	Measured value deviation	PremiumCal <sup>1)</sup>	Standard	PremiumCal <sup>1)</sup>	Standard
Re <sub>2</sub> to Re <sub>max</sub>	A1	< 0.65 %	< 0.75 %	< 0.9 %	< 1.0 %
Re <sub>1</sub> to Re <sub>2</sub>	A2	< 2.5 %	< 5.0 %	< 2.5 %	< 5.0 %

1) Order code for "Calibration flow", option N "0.65% volume PremiumCal 5-point"

*Temperature*

- Saturated steam and liquids at room temperature, if T > 100 °C (212 °F):  
< 1 °C (1.8 °F)
- Gas: < 1 % o.r. [K]
- Volume flow: 70 m/s (230 ft/s): 2 % o.r.
- Rise time 50 % (stirred under water, following IEC 60751): 8 s

*Pressure*

Order code for "Pressure component" <sup>1)</sup>	Nominal value [bar abs.]	Pressure ranges and measured errors <sup>2)</sup>	
		Pressure range [bar abs.]	Maximum measured error
Option B Pressure measuring cell 2 bar_a	2	0.01 ≤ p ≤ 0.4 0.4 ≤ p ≤ 2	0.5 % of 0.4 abs. 0.5 % o.r.
Option C Pressure measuring cell 4 bar_a	4	0.01 ≤ p ≤ 0.8 0.8 ≤ p ≤ 4	0.5 % of 0.8 bar abs. 0.5 % o.r.
Option D Pressure measuring cell 10 bar_a	10	0.01 ≤ p ≤ 2 2 ≤ p ≤ 10	0.5 % of 2 bar abs. 0.5 % o.r.
Option E Pressure measuring cell 40 bar_a	40	0.01 ≤ p ≤ 8 8 ≤ p ≤ 40	0.5 % of 8 bar abs. 0.5 % o.r.
Option F Pressure measuring cell 100 bar_a	100	0.01 ≤ p ≤ 20 20 ≤ p ≤ 100	0.5 % of 20 bar abs. 0.5 % o.r.

- 1) The "mass" sensor version (integrated pressure/temperature measurement) is available only for measuring devices in HART communication mode.
- 2) The specific measured errors refer to the position of the measurement in the measuring tube and do not correspond to the pressure in the pipe connection line upstream or downstream from the measuring device. No measured error is specified for the measured error for the "pressure" measured variable that can be assigned to the outputs.

*Mass flow saturated steam*

Sensor version				Mass (integrated temperature measurement)		Mass (integrated pressure/temperature measurement) <sup>1)</sup>	
Process pressure [bar abs.]	Flow velocity [m/s (ft/s)]	Reynolds number range	Measured value deviation	PremiumCal <sup>2)</sup>	Standard	PremiumCal <sup>2)</sup>	Standard
> 4.76	20 to 50 (66 to 164)	Re <sub>2</sub> to Re <sub>max</sub>	A1	< 1.6 %	< 1.7 %	< 1.4 %	< 1.5 %
> 3.62	10 to 70 (33 to 230)	Re <sub>2</sub> to Re <sub>max</sub>	A1	< 1.9 %	< 2.0 %	< 1.7 %	< 1.8 %

In all cases not specified here, the following applies: < 5.7 %

- 1) Sensor version available only for measuring devices in HART communication mode.
- 2) Order code for "Calibration flow", option N "0.65% volume PremiumCal 5-point"

*Mass flow of superheated steam/gases<sup>3)</sup>*

Sensor version				Mass (integrated pressure/temperature measurement) <sup>1)</sup>		Mass (integrated temperature measurement) + external pressure compensation <sup>2)</sup>	
Process pressure [bar abs.]	Flow velocity [m/s (ft/s)]	Reynolds number range	Measured value deviation	PremiumCal <sup>3)</sup>	Standard	PremiumCal <sup>3)</sup>	Standard
< 40	All velocities	Re <sub>2</sub> to Re <sub>max</sub>	A1	< 1.4 %	< 1.5 %	< 1.6 %	< 1.7 %
< 120		Re <sub>2</sub> to Re <sub>max</sub>	A1	< 2.3 %	< 2.4 %	< 2.5 %	< 2.6 %
In all cases not specified here, the following applies: < 6.6 %							

- 1) Sensor version available only for measuring devices in HART communication mode.
- 2) The use of a Cerabar S is required for the measured errors listed in the following section. The measured error used to calculate the error in the measured pressure is 0.15 %.
- 3) Order code for "Calibration flow", option N "0.65% volume PremiumCal 5-point"

*Water mass flow*

Sensor version				Mass (integrated temperature measurement)	
Process pressure [bar abs.]	Flow velocity [m/s (ft/s)]	Reynolds number range	Measured value deviation	PremiumCal <sup>1)</sup>	Standard
All pressures	All velocities	Re <sub>2</sub> to Re <sub>max</sub>	A1	< 0.75 %	< 0.85 %
		Re <sub>1</sub> to Re <sub>2</sub>	A2	< 2.6 %	< 2.7 %

- 1) Order code for "Calibration flow", option N "0.65% volume PremiumCal 5-point"

*Mass flow (user-specific liquids)*

To specify the system accuracy, Endress+Hauser requires information about the type of liquid and its operating temperature or information in table form about the dependency between the liquid density and the temperature.

*Example*

- Acetone is to be measured at fluid temperatures from +70 to +90 °C (+158 to +194 °F).
- For this purpose, the **Reference temperature** parameter (7703) (here 80 °C (176 °F)), **Reference density** parameter (7700) (here 720.00 kg/m<sup>3</sup>) and **Linear expansion coefficient** parameter (7621) (here  $18.0298 \times 10^{-4} 1/^\circ\text{C}$ ) must be entered in the transmitter.
- The overall system uncertainty, which is less than 0.9 % for the example above, is comprised of the following measurement uncertainties: uncertainty of volume flow measurement, uncertainty of temperature measurement, uncertainty of the density-temperature correlation used (including the resulting uncertainty of density).

*Mass flow (other media)*

Depends on the selected fluid and the pressure value, which is specified in the parameters. Individual error analysis must be performed.

**Diameter mismatch correction**

The measuring device can correct shifts in the calibration factor which are caused, for example, by a diameter mismatch between the device flange (e.g. ASME B16.5/Sch. 80, DN 50 (2")) and the mating pipe (e.g. ASME B16.5/Sch. 40, DN 50 (2")). Only apply diameter mismatch correction within the following limit values (listed below) for which test measurements have also been performed.

- 3) single gas, gas mixture, air: NEL40; natural gas: ISO 12213-2 contains AGA8-DC92, AGA NX-19, ISO 12213-3 contains SGERG-88 and AGA8 Gross Method 1



**Flange connection:**

- DN 15 (½"): ±20 % of the internal diameter
- DN 25 (1"): ±15 % of the internal diameter
- DN 40 (1½"): ±12 % of the internal diameter
- DN ≥ 50 (2"): ±10 % of the internal diameter

If the standard internal diameter of the ordered process connection differs from the internal diameter of the mating pipe, an additional measuring uncertainty of approx. 2 % o.r. must be expected.

**Example**

Influence of the diameter mismatch without using the correction function:

- Mating pipe DN 100 (4"), schedule 80
- Device flange DN 100 (4"), schedule 40
- This installation position results in a diameter mismatch of 5 mm (0.2 in). If the correction function is not used, an additional measuring uncertainty of approx. 2 % o.r. must be expected.
- If the basic conditions are met and the feature is enabled, the additional measuring uncertainty is 1 % o.r.



For detailed information on the parameters for diameter mismatch correction, see the Operating Instructions → 96

**Accuracy of outputs**

The outputs have the following base accuracy specifications.

*Current output*

<b>Accuracy</b>	±10 µA
-----------------	--------

*Pulse/frequency output*

o.r. = of reading

<b>Accuracy</b>	Max. ±100 ppm o.r.
-----------------	--------------------

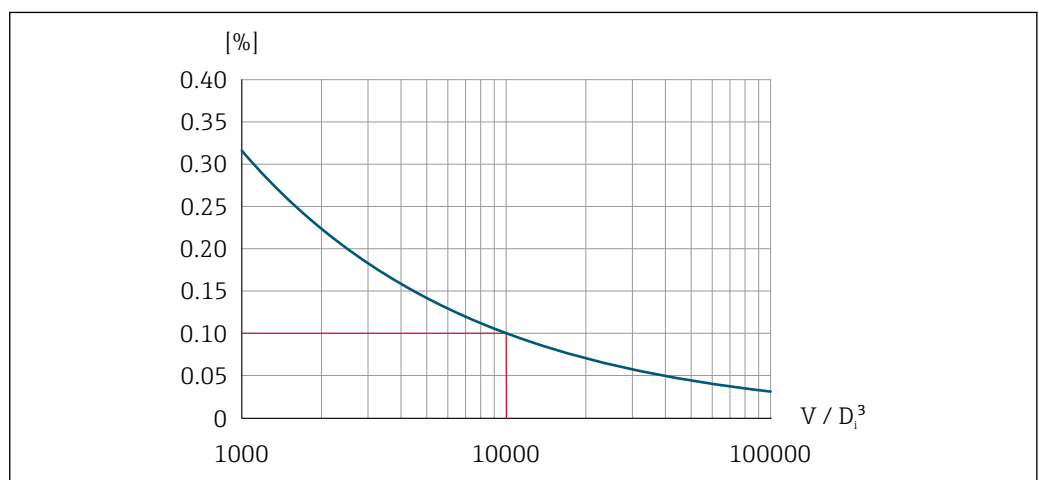
**Repeatability**

o.r. = of reading

$$r = \left\{ \frac{100 \cdot D_i^3}{V} \right\}^{1/2}$$

A0034417

12 [% o.r.]



A0034414

13 Repeatability = 0.1 % o.r. at a measured volume [m³] of  $V = 1000 \cdot D_i^3$

The repeatability can be improved if the measured volume is increased. Repeatability is not a device characteristic but a statistical variable that is dependent on the boundary conditions indicated.

**Response time**

If all the configurable functions for filter times (flow damping, display damping, current output time constant, frequency output time constant, status output time constant) are set to 0, in the event of vortex frequencies of 10 Hz and higher a response time of  $\max(T_v, 100 \text{ ms})$  can be expected.

In the event of measuring frequencies  $< 10 \text{ Hz}$ , the response time is  $> 100 \text{ ms}$  and can be up to 10 s.  $T_v$  is the average vortex period duration of the flowing fluid.

**Influence of ambient temperature**

**Current output**

o.r. = of reading

Additional error, in relation to the span of 16 mA:

Temperature coefficient at zero point (4 mA)	0.02 %/10 K
Temperature coefficient with span (20 mA)	0.05 %/10 K

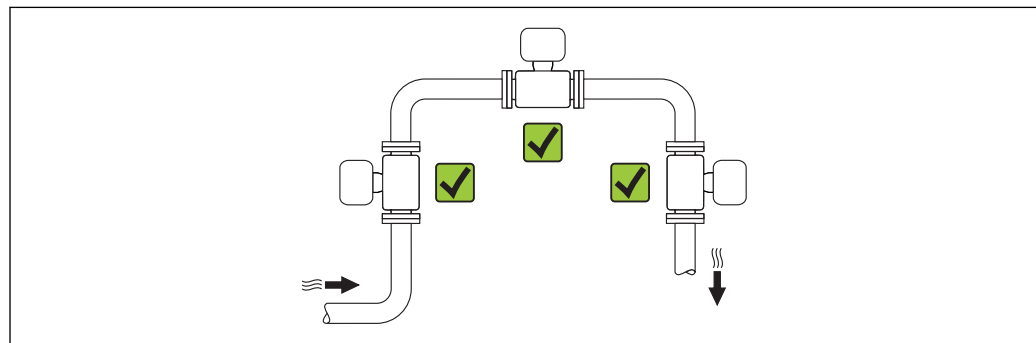
**Pulse/frequency output**

o.r. = of reading

Temperature coefficient	Max. $\pm 100 \text{ ppm o.r.}$
-------------------------	---------------------------------

## Installation

**Mounting location**



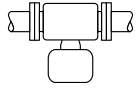
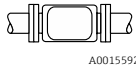
A0015543

**Orientation**


The direction of the arrow on the sensor nameplate helps you to install the sensor according to the flow direction (direction of medium flow through the piping).

Vortex meters require a fully developed flow profile as a prerequisite for correct volume flow measurement. Therefore, please note the following:

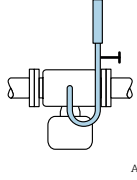
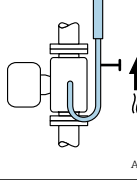
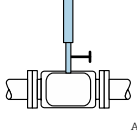
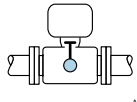
Orientation		Compact version	Remote version
<b>A</b>	Vertical orientation	✓✓ <sup>1)</sup>	✓✓
<b>B</b>	Horizontal orientation, transmitter head up	✓✓ <sup>2) 3)</sup>	✓✓


Orientation		Compact version	Remote version
C	Horizontal orientation, transmitter head down  A0015590	✓✓ <sup>4) 5)</sup>	✓✓
D	Horizontal orientation, transmitter head at side  A0015592	✓✓ <sup>4)</sup>	✓✓

- 1) In the case of liquids, there should be upward flow in vertical pipes to avoid partial pipe filling (Fig. A). Disruption in flow measurement! In the case of vertical orientation and downward flowing liquid, the pipe always needs to be completely filled to ensure correct liquid flow measurement.
- 2) Danger of electronics overheating! If the fluid temperature is  $\geq 200\text{ °C}$  ( $392\text{ °F}$ ), orientation B is not permitted for the wafer version (Prowirl D) with nominal diameters of DN 100 (4") and DN 150 (6").
- 3) In the case of hot media (e.g. steam or fluid temperature (TM)  $\geq 200\text{ °C}$  ( $392\text{ °F}$ ): orientation C or D
- 4) In the case of very cold media (e.g. liquid nitrogen): orientation B or D
- 5) For "wet steam detection/measurement" option: orientation C

 The "mass" sensor version (integrated pressure/temperature measurement) is available only for measuring devices in the HART communication mode.


*Pressure measuring cell*

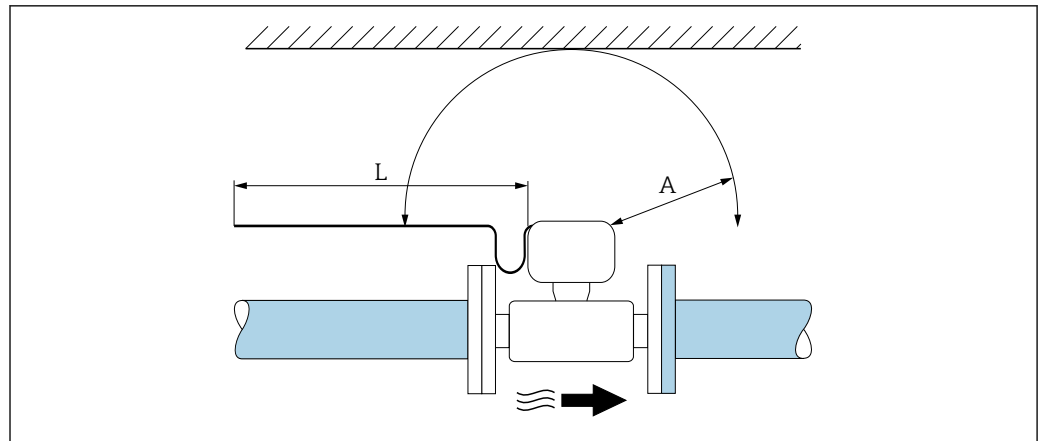
Steam pressure measurement		Option DA
E	<ul style="list-style-type: none"> <li>▪ With the transmitter installed at the bottom or at the side</li> <li>▪ Protection against rising heat</li> </ul>  A0034057	✓✓
F	<ul style="list-style-type: none"> <li>▪ Reduction in temperature to almost ambient temperature due to siphon <sup>1)</sup></li> </ul>  A0034058	✓✓
Gas pressure measurement		Option DB
G	<ul style="list-style-type: none"> <li>▪ Pressure measuring cell with shutoff device above tapping point</li> <li>▪ Discharge of any condensate into the process</li> </ul>  A0034092	✓✓
Liquid pressure measurement		Option DB
H	<ul style="list-style-type: none"> <li>▪ Device with shutoff device at the same level as tapping point</li> </ul>  A0034091	✓✓

1) Note max. permitted ambient temperature of transmitter →  48.

**Minimum spacing and cable length**

Order code for "Sensor version", option "mass" DA, DB

 The "mass" sensor version (integrated pressure/temperature measurement) is available only for measuring devices in the HART communication mode.



A0019211

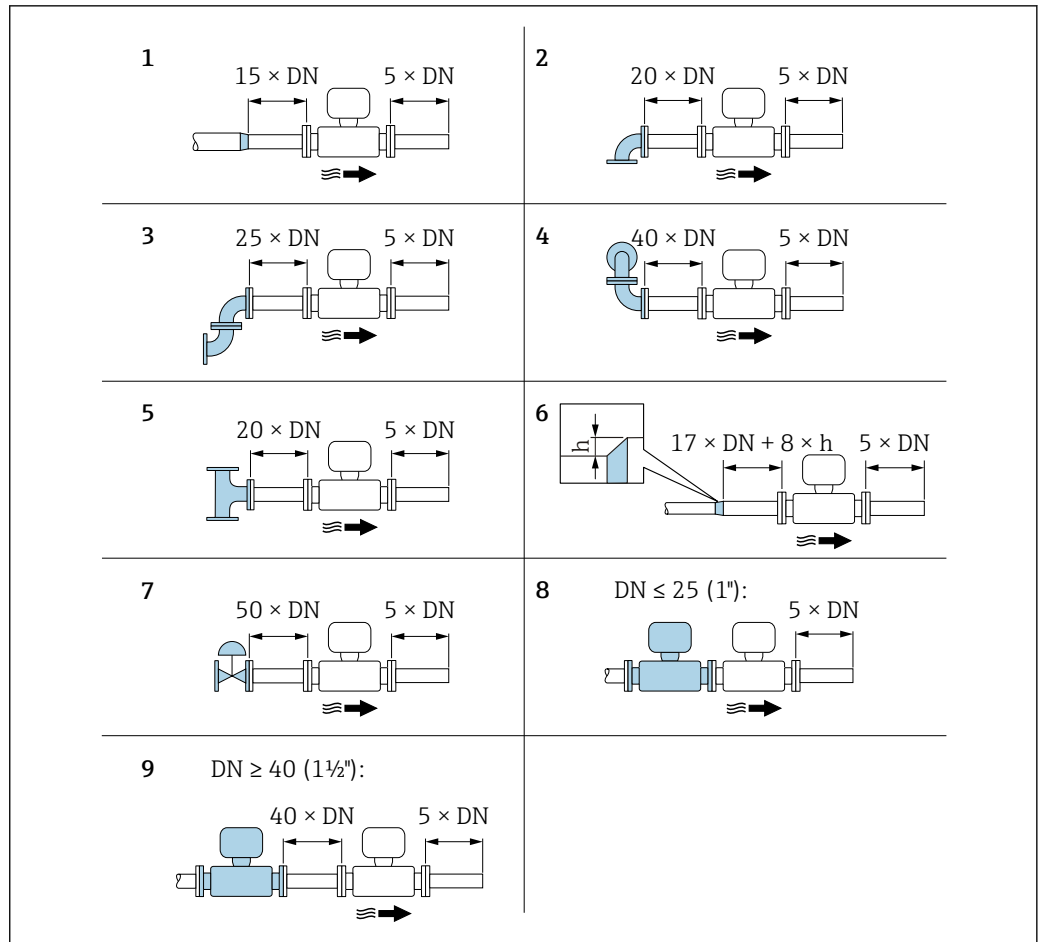
- A* Minimum spacing in all directions  
*L* Required cable length

The following dimensions must be observed to guarantee problem-free access to the device for service purposes:

- $A = 100 \text{ mm}$  (3.94 in)
- $L = L + 150 \text{ mm}$  (5.91 in)

#### **Inlet and outlet runs**

To attain the specified level of accuracy of the measuring device, the inlet and outlet runs mentioned below must be maintained at the very minimum.



A0019189

14 Minimum inlet and outlet runs with various flow obstructions

*h* Difference in expansion

1 Reduction by one nominal diameter size

2 Single elbow (90° elbow)

3 Double elbow (2 × 90° elbows, opposite)

4 Double elbow 3D (2 × 90° elbows, opposite, not on one plane)

5 T-piece

6 Expansion

7 Control valve

8 Two measuring devices in a row where  $DN \leq 25$  (1''): directly flange on flange

9 Two measuring devices in a row where  $DN \geq 40$  (1½''): for spacing, see graphic

- i** If there are several flow disturbances present, the longest specified inlet run must be maintained.
- If the required inlet runs cannot be observed, it is possible to install a specially designed flow conditioner → 45.

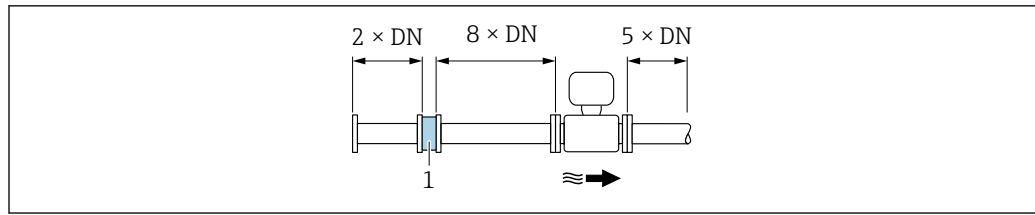
**i** The **inlet run correction** function:

- Makes it possible to shorten the inlet run to a minimum length of  $10 \times DN$  in the event of flow obstructions 1 to 4. An additional measuring uncertainty of  $\pm 0.5\%$  o.r. occurs here.
- Cannot be combined with the **wet steam detection/measurement** → 92 application package. If wet steam detection/measurement is used, the corresponding inlet runs must be taken into consideration. It is not possible to use a flow conditioner for wet steam.

#### Flow conditioner

If the inlet runs cannot be observed, the use of a flow conditioner is recommended.

The flow conditioner is fitted between two pipe flanges and centered by the mounting bolts. Generally this reduces the inlet run needed to  $10 \times DN$  with full accuracy.



A0019208

### 1 Flow conditioner

The pressure loss for flow conditioners is calculated as follows:  $\Delta p$  [mbar] =  $0.0085 \cdot \rho$  [kg/m<sup>3</sup>] ·  $v^2$  [m/s]

Example for steam

$p = 10$  bar abs.

$t = 240$  °C →  $\rho = 4.39$  kg/m<sup>3</sup>

$v = 40$  m/s

$\Delta p = 0.0085 \cdot 4.39 \cdot 40^2 = 59.7$  mbar

Example for H<sub>2</sub>O condensate (80 °C)

$\rho = 965$  kg/m<sup>3</sup>

$v = 2.5$  m/s

$\Delta p = 0.0085 \cdot 965 \cdot 2.5^2 = 51.3$  mbar

$\rho$  : density of the process medium

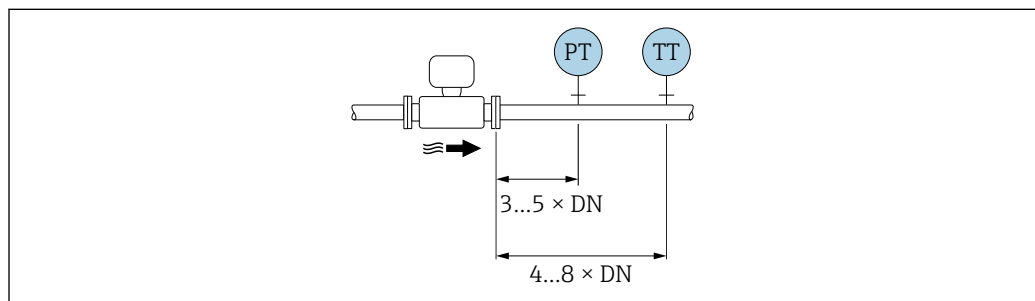
$v$ : average flow velocity

abs. = absolute

**i** A specially designed flow conditioner is available from Endress+Hauser: → 63

### Outlet runs when installing external devices

If installing an external device, observe the specified distance.



A0019205

PT Pressure

TT Temperature device

### Length of connecting cable

To ensure correct measuring results when using the remote version,

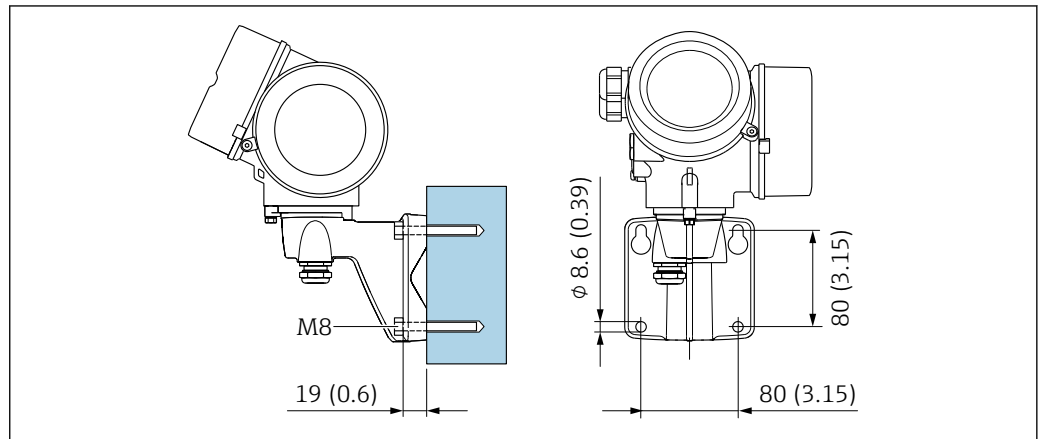
- observe the maximum permitted cable length:  $L_{\max} = 30$  m (90 ft).
- The value for the cable length must be calculated if the cable cross-section differs from the specification.



For detailed information about calculating the length of the connecting cable, refer to the Operating Instructions for the device on the CD-ROM provided

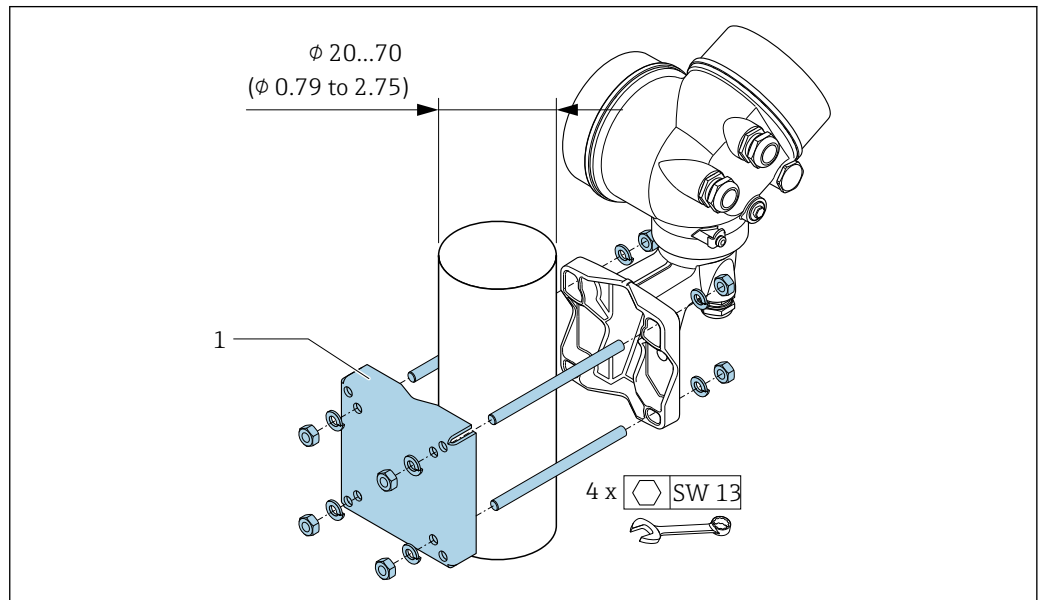
**Mounting the transmitter housing**

**Wall mounting**



15 mm (in)

**Post mounting**



16 mm (in)

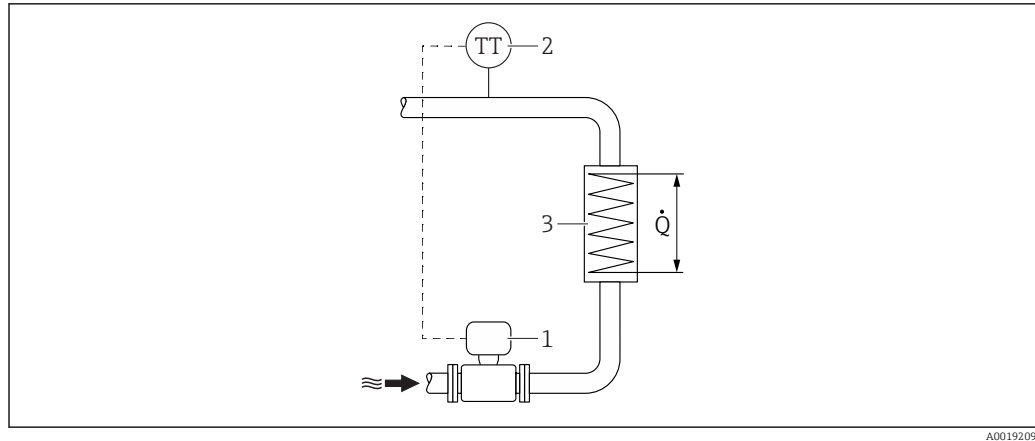
**Special mounting instructions**

**Installation for delta heat measurements**

- Order code for "Sensor version", option CA "mass; 316L; 316L (integrated temperature measurement), -200 to +400 °C (-328 to +750 °F)"
- Order code for "Sensor version", option CB "mass; Alloy C22; 316L (integrated temperature measurement), -200 to +400 °C (-328 to +750 °F)"
- Order code for "Sensor version", option CC "mass; Alloy C22; Alloy C22 (integrated temperature measurement), -40 to +260 °C (-40 to +500 °F)"
- Order code for "Sensor version", option DA "mass steam; 316L; 316L (integrated pressure/temperature measurement), -200 to +400 °C (-328 to +750 °F)"
- Order code for "Sensor version", option DB "mass gas/liquid; 316L; 316L (integrated pressure/temperature measurement), -40 to +100 °C (-40 to +212 °F)"

The second temperature measurement is taken using a separate temperature sensor. The measuring device reads in this value via a communication interface.

- In the case of saturated steam delta heat measurements, the measuring device must be installed on the steam side.
- In the case of water delta heat measurements, the device can be installed on the cold or warm side.




A0019209

17 Layout for delta heat measurement of saturated steam and water

- 1 Measuring device  
 2 Temperature sensor  
 3 Heat exchanger  
 Q Heat flow

### Protective cover

Observe the following minimum head clearance: 222 mm (8.74 in)

 For information on the weather protection cover, see →  93

## Environment

### Ambient temperature range

#### Compact version

<b>Measuring device</b>	Non-hazardous area:	-40 to +80 °C (-40 to +176 °F) <sup>1)</sup>
	Ex i, Ex nA, Ex ec:	-40 to +70 °C (-40 to +158 °F) <sup>1)</sup>
	Ex d, XP:	-40 to +60 °C (-40 to +140 °F) <sup>1)</sup>
	Ex d, Ex ia:	-40 to +60 °C (-40 to +140 °F) <sup>1)</sup>
<b>Local display</b>		-40 to +70 °C (-40 to +158 °F) <sup>2) 1)</sup>

- 1) Additionally available as order code for "Test, certificate", option JN "Transmitter ambient temperature - 50 °C (-58 °F)".  
 2) At temperatures < -20 °C (-4 °F), depending on the physical characteristics involved, it may no longer be possible to read the liquid crystal display.

#### Remote version

<b>Transmitter</b>	Non-hazardous area:	-40 to +80 °C (-40 to +176 °F) <sup>1)</sup>
	Ex i, Ex nA, Ex ec:	-40 to +80 °C (-40 to +176 °F) <sup>1)</sup>
	Ex d:	-40 to +60 °C (-40 to +140 °F) <sup>1)</sup>
	Ex d, Ex ia:	-40 to +60 °C (-40 to +140 °F) <sup>1)</sup>
<b>Sensor</b>	Non-hazardous area:	-40 to +85 °C (-40 to +185 °F) <sup>1)</sup>
	Ex i, Ex nA, Ex ec:	-40 to +85 °C (-40 to +185 °F) <sup>1)</sup>
	Ex d:	-40 to +85 °C (-40 to +185 °F) <sup>1)</sup>



	Ex d, Ex ia:	-40 to +85 °C (-40 to +185 °F) <sup>1)</sup>
<b>Local display</b>		-40 to +70 °C (-40 to +158 °F) <sup>2) 1)</sup>

- 1) Additionally available as order code for "Test, certificate", option JN "Transmitter ambient temperature - 50 °C (-58 °F)".
- 2) At temperatures < -20 °C (-4 °F), depending on the physical characteristics involved, it may no longer be possible to read the liquid crystal display.

- ▶ If operating outdoors:  
Avoid direct sunlight, particularly in warm climatic regions.

 You can order a weather protection cover from Endress+Hauser. →  93.

**Storage temperature** All components apart from the display modules:  
-50 to +80 °C (-58 to +176 °F)

**Display modules**

All components apart from the display modules:  
-50 to +80 °C (-58 to +176 °F)

Remote display FHX50:  
-50 to +80 °C (-58 to +176 °F)

**Climate class** DIN EN 60068-2-38 (test Z/AD)

**Degree of protection**

**Transmitter**

- As standard: IP66/67, type 4X enclosure
- When housing is open: IP20, type 1 enclosure
- Display module: IP20, type 1 enclosure

**Sensor**  
IP66/67, type 4X enclosure

**Connector**  
IP67, only in screwed situation

**Vibration- and shock-resistance**

**Vibration sinusoidal, according to IEC 60068-2-6**

Order code for "Housing", option B "GT18 dual compartment, 316L, compact" and order code for "Sensor version; DSC sensor; Meas. tube", option DA "Mass steam; 316L; 316L (integrated pressure/temp. measurement)" or option DB "Mass gas/liquid; 316L; 316L (integrated pressure/temp. measurement)"

- 2 to 8.4 Hz, 3.5 mm peak
- 8.4 to 500 Hz, 1 g peak

Order code for "Housing", option C "GT20 dual compartment, alu, coated, compact" or option J "GT20 dual compartment, alu, coated, remote" or option K "GT18 dual compartment, 316L, remote"

- 2 to 8.4 Hz, 7.5 mm peak
- 8.4 to 500 Hz, 2 g peak

**Vibration broad-band random, according to IEC 60068-2-64**

Order code for "Housing", option B "GT18 dual compartment, 316L, compact" and order code for "Sensor version; DSC sensor; Meas. tube", option DA "Mass steam; 316L; 316L (integrated pressure/temp. measurement)" or option DB "Mass gas/liquid; 316L; 316L (integrated pressure/temp. measurement)"

- 10 to 200 Hz, 0.003 g<sup>2</sup>/Hz
- 200 to 500 Hz, 0.001 g<sup>2</sup>/Hz
- Total: 0.93 g rms

Order code for "Housing", option C "GT20 dual compartment, alu, coated, compact" or option J "GT20 dual compartment, alu, coated, remote" or option K "GT18 dual compartment, 316L, remote"

- 10 to 200 Hz, 0.01 g<sup>2</sup>/Hz
- 200 to 500 Hz, 0.003 g<sup>2</sup>/Hz
- Total: 1.67 g rms

**Shock half-sine, according to IEC 60068-2-27**

- Order code for "Housing", option B "GT18 dual compartment, 316L, compact" and order code for "Sensor version; DSC sensor; Meas. tube", option DA "Mass steam; 316L; 316L (integrated pressure/temperature measurement)" or option DB "Mass gas/liquid; 316L; 316L (integrated pressure/temp. measurement)"  
6 ms 30 g
- Order code for "Housing", option C "GT20 dual compartment, alu, coated, compact" or option J "GT20 dual compartment, alu, coated, remote" or option K "GT18 dual compartment, 316L, remote"  
6 ms 50 g

**Rough handling shocks according to IEC 60068-2-31****Electromagnetic compatibility (EMC)**

As per IEC/EN 61326 and NAMUR Recommendation 21 (NE 21)




Details are provided in the Declaration of Conformity.

**Process****Medium temperature range***DSC sensor*<sup>1)</sup>

Order code for "Sensor version; DSC sensor; measuring tube"		
Option	Description	Medium temperature range
AA	Volume; 316L; 316L	-40 to +260 °C (-40 to +500 °F), stainless steel
AB	Volume; Alloy C22; 316L	
AC	Volume; Alloy C22; Alloy C22	-40 to +260 °C (-40 to +500 °F), stainless steel
BA	Volume high-temperature; 316L; 316L	-200 to +400 °C (-328 to +752 °F), stainless steel
BB	Volume high-temperature; Alloy C22; 316L	
CA	Mass; 316L; 316L	-200 to +400 °C (-328 to +752 °F), stainless steel
CB	Mass; Alloy C22; 316L	
CC	Mass; Alloy C22; Alloy C22	-40 to +260 °C (-40 to +500 °F), stainless steel

1) Capacitance sensor

Order code for "Sensor version; DSC sensor; measuring tube"		
Option	Description	Medium temperature range
	The "mass" sensor version (integrated pressure/temperature measurement) is available only for measuring devices in the HART communication mode.	
DA	Mass steam; 316L; 316L	-200 to +400 °C (-328 to +752 °F), stainless steel <sup>1) 2)</sup>
DB	Mass gas/liquid; 316L; 316L	-40 to +100 °C (-40 to +212 °F), stainless steel <sup>2)</sup>

1) Siphon enables use for extended temperature range (up to +400 °C (+752 °F)).

2) In steam applications, in conjunction with the siphon, the steam temperature may be higher (up to +400 °C (+752 °F)) than the permitted temperature of the pressure measuring cell. Without a siphon, the gas temperature is restricted due to the maximum permitted temperature of the pressure measuring cell. This applies regardless of whether or not a stop cock is present.

Pressure measuring cell

Order code for "Pressure component"		
Option	Description	Medium temperature range
B	Pressure measuring cell 2bar/29psi abs	-40 to +100 °C (-40 to +212 °F)
C	Pressure measuring cell 4bar/58psi abs	
D	Pressure measuring cell 10bar/145psi abs	
E	Pressure measuring cell 40bar/580psi abs	
F	Pressure measuring cell 100bar/1450psi abs	

Seals

Order code for "DSC sensor seal"		
Option	Description	Medium temperature range
A	Graphite (standard)	-200 to +400 °C (-328 to +752 °F)
B	Viton	-15 to +175 °C (+5 to +347 °F)
C	Gylon	-200 to +260 °C (-328 to +500 °F)
D	Kalrez	-20 to +275 °C (-4 to +527 °F)

Pressure-temperature ratings

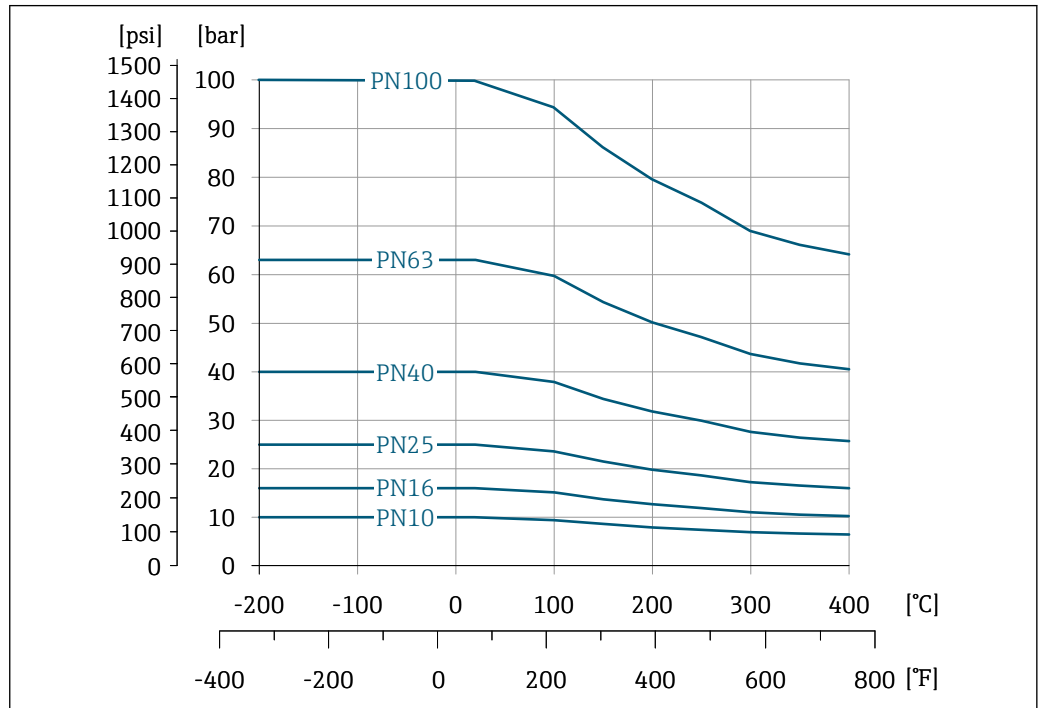
The following pressure/temperature diagrams apply to all pressure-bearing parts of the device and not just the process connection. The diagrams show the maximum permissible medium pressure depending on the specific medium temperature.

The pressure-temperature rating for the specific measuring device is programmed into the software. If values exceed the curve range a warning is displayed. Depending on the system configuration and sensor version, the pressure and temperature are determined by entering, reading in or calculating values.

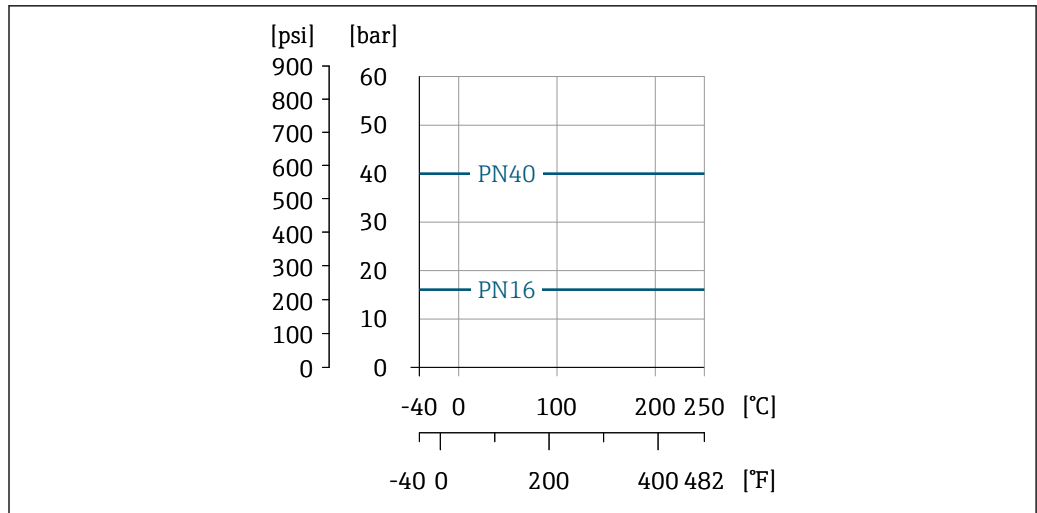


Integral mass vortex: The permitted pressure for the measuring device can be less than indicated in this section, depending on the selected pressure measuring cell. → 54

Flange connection: flange according to EN 1092-1 (DIN 2501)



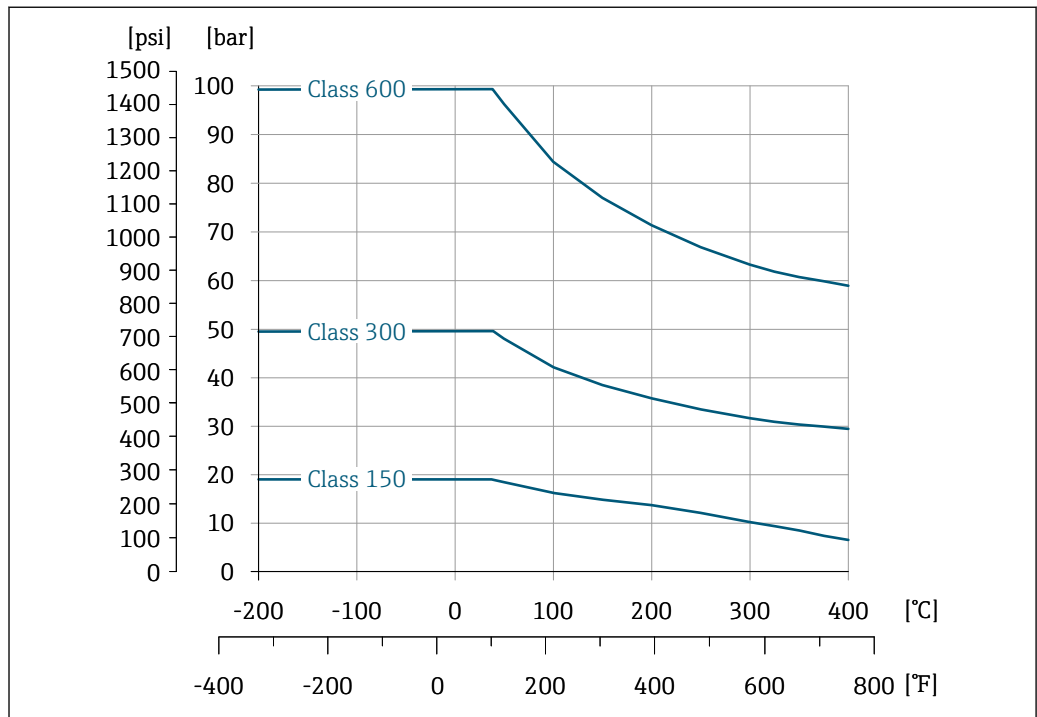
18 Flange connection material: stainless steel, multiple certifications, 1.4404/F316/F316L



A0034045-EN

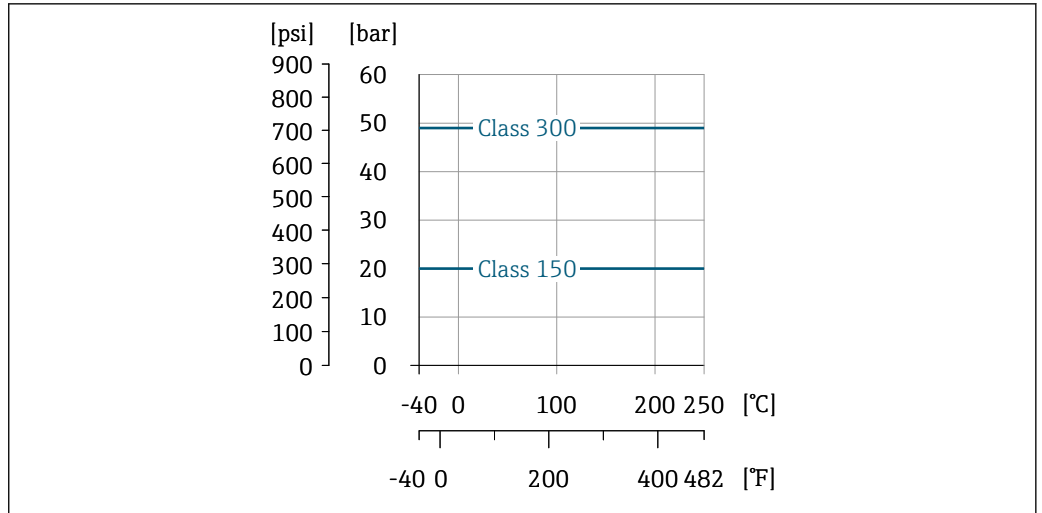
19 Flange connection material: cast, CX2MW similar to Alloy C22/2.4602

**Flange connection: flange according to ASME B16.5**



A0034051-EN

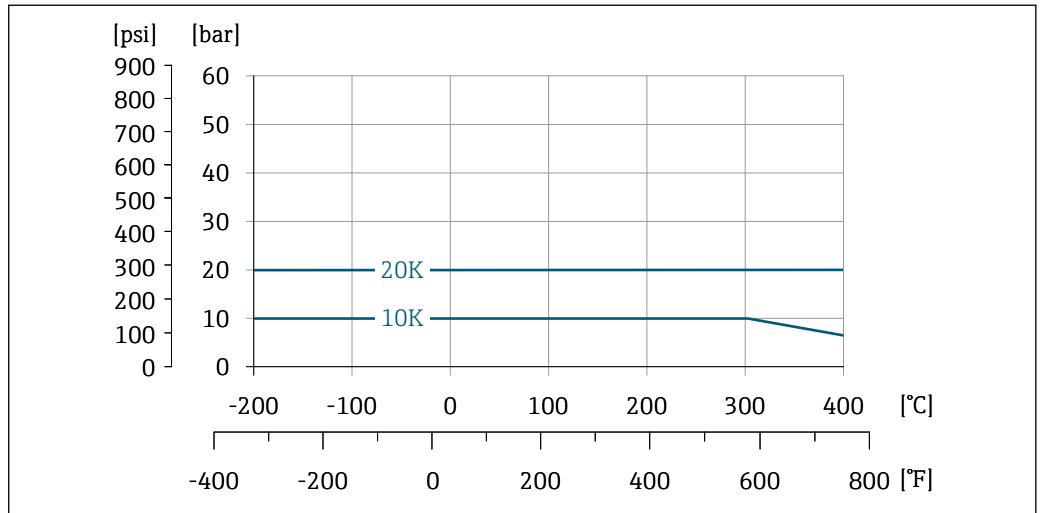
20 Flange connection material: stainless steel, multiple certifications, 1.4404/F316/F316L



A0034046-EN

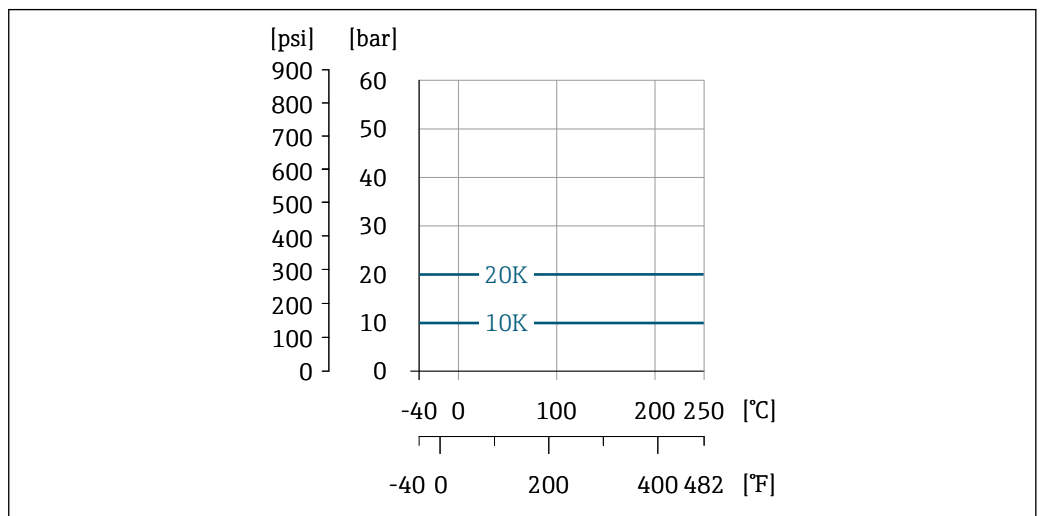
21 Flange connection material: cast, CX2MW similar to Alloy C22/2.4602

**Flange connection: flange according to JIS B2220**



A0034043-EN

22 Flange connection material: stainless steel, multiple certifications, 1.4404/F316/F316L




A0034044-EN

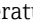
23 Flange connection material: cast, CX2MW similar to Alloy C22/2.4602


**Nominal pressure of sensor** The following overpressure resistance values apply to the sensor shaft in the event of a membrane rupture:

Sensor version; DSC sensor; measuring tube	Overpressure, sensor shaft in [bar a]
Volume	200
Volume high-temperature	200
Mass (integrated temperature measurement)	200
Mass steam (integrated pressure/temperature measurement) Mass gas/liquid (integrated pressure/temperature measurement)	200

### Pressure specifications


 The "mass" sensor version (integrated pressure/temperature measurement) is available only for measuring devices in the HART communication mode.

The OPL (over pressure limit = sensor overload limit) for the measuring device depends on the lowest-rated element, with regard to pressure, of the selected components, i.e. the process connection has to be taken into consideration in addition to the measuring cell. Also observe pressure-temperature dependency. For the appropriate standards and further information →  39. The OPL may only be applied for a limited period of time.

The MWP (maximum working pressure) for the sensors depends on the lowest-rated element, with regard to pressure, of the selected components, i.e. the process connection has to be taken into consideration in addition to the measuring cell. Also observe pressure-temperature dependency. For the appropriate standards and further information →  39. The MWP may be applied at the device for an unlimited period. The MWP can also be found on the nameplate.

#### WARNING

**The maximum pressure for the measuring device depends on the lowest-rated element with regard to pressure.**

- ▶ Note specifications regarding pressure range →  39.
- ▶ The Pressure Equipment Directive (2014/68/EU) uses the abbreviation "PS". The abbreviation "PS" corresponds to the MWP of the device.
- ▶ MWP: The MWP is indicated on the nameplate. This value refers to a reference temperature of +20 °C (+68°F) and may be applied to the device for an unlimited time. Note temperature dependence of MWP.
- ▶ OPL: The test pressure corresponds to the over pressure limit of the sensor and may be applied only temporarily to ensure that the measurement is within the specifications and no permanent damage occurs. In the case of sensor range and process connection combinations where the OPL of the process connection is less than the nominal value of the sensor, the device is set at the factory, at the very maximum, to the OPL value of the process connection. If using the entire sensor range, select a process connection with a higher OPL value.

Sensor	Maximum sensor measuring range		MWP	OPL
	Lower (LRL)	Upper (URL)		
	[bar (psi)]	[bar (psi)]	[bar (psi)]	[bar (psi)]
2 bar (30 psi)	0 (0)	+2 (+30)	6.7 (100.5)	10 (150)
4 bar (60 psi)	0 (0)	+4 (+60)	10.7 (160.5)	16 (240)
10 bar (150 psi)	0 (0)	+10 (+150)	25 (375)	40 (600)
40 bar (600 psi)	0 (0)	+40 (+600)	100 (1500)	160 (2400)
100 bar (1500 psi)	0 (0)	+100 (+1500)	100 (1500)	160 (2400)

### Pressure loss

For a precise calculation, use the Applicator ([Verweisziel existiert nicht, aber @y.link.required=true](#)).

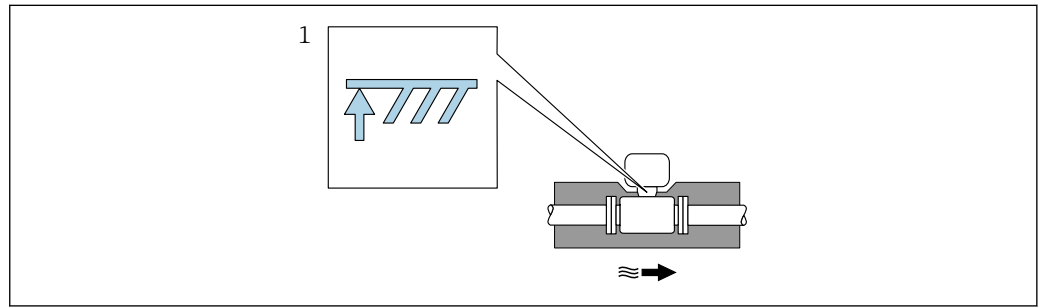
### Thermal insulation

For optimum temperature measurement and mass calculation, heat transfer at the sensor must be avoided for some fluids. This can be ensured by installing thermal insulation. A wide range of materials can be used for the required insulation.

This applies for:

- Compact version
- Remote sensor version

The maximum insulation height permitted is illustrated in the diagram:



A0019212

1 Maximum insulation height

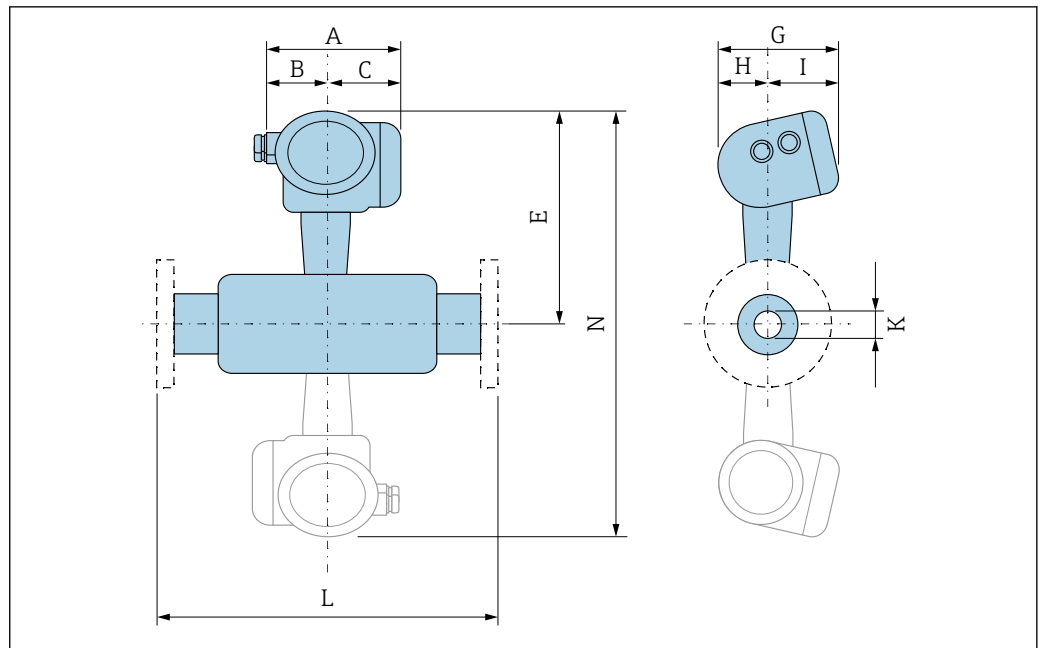
- ▶ When insulating, ensure that a sufficiently large area of the housing support remains exposed. The uncovered part serves as a radiator and protects the electronics from overheating and excessive cooling.

## Mechanical construction

### Dimensions in SI units

#### Compact version

Order code for "Housing", option B "GT18, two-chamber, 316L, compact"; option C "GT20, two-chamber, aluminum, coated, compact"



A0033794

24 Grayed out: Dualsens version

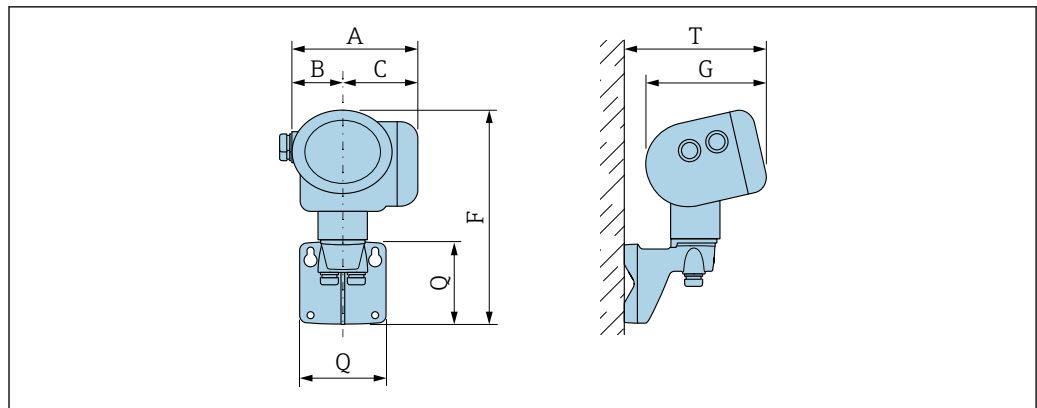
DN	A <sup>1)</sup>	B	C <sup>1)</sup>	E <sup>2) 3)</sup>	G	H	I <sup>4)</sup>	K (D <sub>1</sub> )	L	N <sup>5) 6)</sup>
[mm]	[mm]	[mm]	[mm]	[mm]	[mm]	[mm]	[mm]	[mm]	[mm]	[mm]
15	140.2	51.7	88.5	252	159.9	58.2	101.7	13.9	<sup>7)</sup>	<sup>8)</sup>
25	140.2	51.7	88.5	258	159.9	58.2	101.7	24.3	<sup>7)</sup>	<sup>8)</sup>
40	140.2	51.7	88.5	266	159.9	58.2	101.7	38.1	<sup>7)</sup>	531
50	140.2	51.7	88.5	272	159.9	58.2	101.7	49.2	<sup>7)</sup>	543

DN	A <sup>1)</sup>	B	C <sup>1)</sup>	E <sup>2) 3)</sup>	G	H	I <sup>4)</sup>	K (D <sub>i</sub> )	L	N <sup>5) 6)</sup>
[mm]	[mm]	[mm]	[mm]	[mm]	[mm]	[mm]	[mm]	[mm]	[mm]	[mm]
80	140.2	51.7	88.5	286	159.9	58.2	101.7	73.7	<sup>7)</sup>	571
100	140.2	51.7	88.5	300	159.9	58.2	101.7	97.0	<sup>7)</sup>	599
150	140.2	51.7	88.5	325	159.9	58.2	101.7	146.3	<sup>7)</sup>	650
200	140.2	51.7	88.5	348	159.9	58.2	101.7	193.7	<sup>7)</sup>	695
250	140.2	51.7	88.5	375	159.9	58.2	101.7	242.8	<sup>7)</sup>	750
300	140.2	51.7	88.5	397	159.9	58.2	101.7	288.9	<sup>7)</sup>	795

- 1) For version with overvoltage protection: values + 8 mm
- 2) For version without local display: values - 10 mm
- 3) For high-temperature/low-temperature version: values + 29 mm
- 4) For version without local display: values - 7 mm
- 5) For version without local display: values - 20 mm
- 6) For high-temperature/low-temperature version: values + 58 mm
- 7) Dependent on respective flange connection
- 8) Not available as a Dualsens version

#### Transmitter remote version

Order code for "Housing", option J "GT20 two-chamber, aluminum, coated, remote"; option K "GT18 two-chamber, 316L, remote"



A0033796

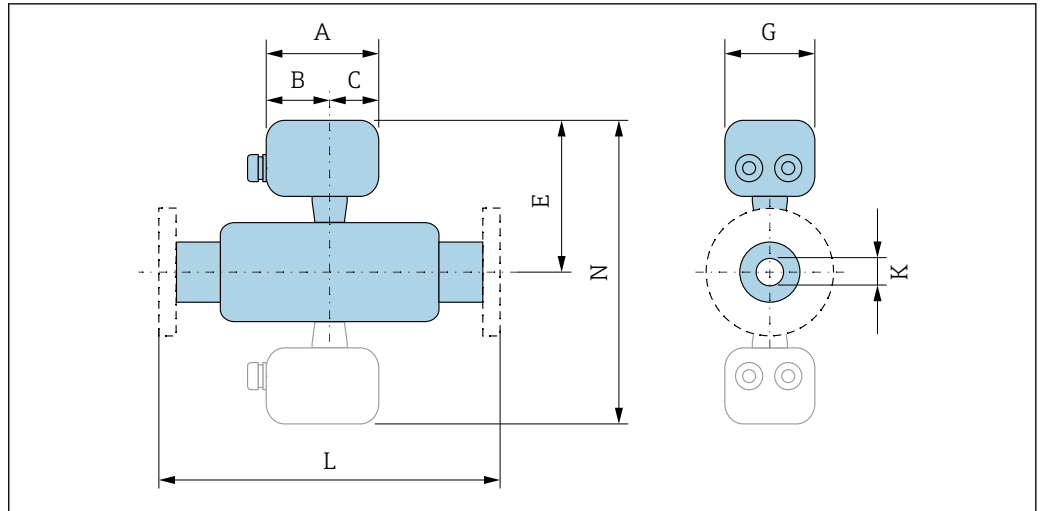
A <sup>1)</sup>	B	C <sup>1)</sup>	F <sup>2)</sup>	G <sup>3)</sup>	Q	T <sup>3)</sup>
[mm]	[mm]	[mm]	[mm]	[mm]	[mm]	[mm]
140.2	51.7	88.5	254	159.9	107	191

- 1) For version with overvoltage protection: value + 8 mm
- 2) For version without local display: value - 10 mm
- 3) For version without local display: value - 7 mm

#### Sensor remote version

Order code for "Housing", option J "GT20 two-chamber, aluminum, coated, remote"; option K "GT18 two-chamber, 316L, remote"





A0033797

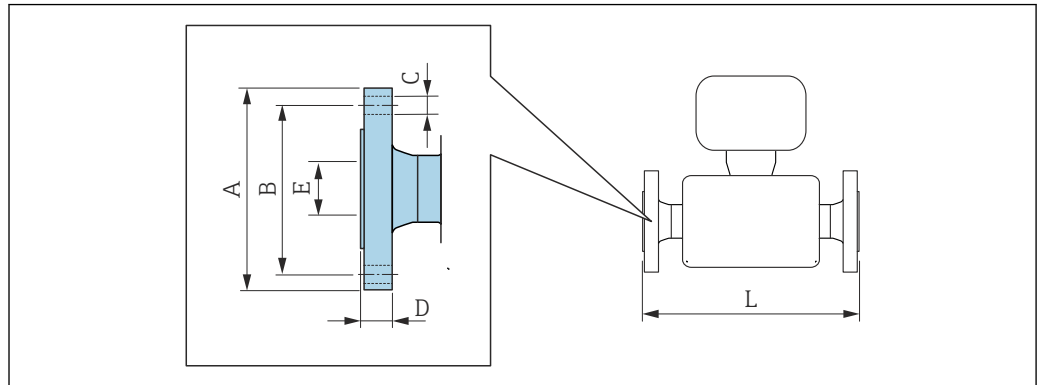
25 Grayed out: Dualsens version

DN [mm]	A [mm]	B [mm]	C [mm]	E <sup>1)</sup> [mm]	G [mm]	K (D <sub>i</sub> ) [mm]	L [mm]	N <sup>2)</sup> [mm]
15	107.3	60.0	47.3	225	94.5	13.9	<sup>3)</sup>	<sup>4)</sup>
25	107.3	60.0	47.3	231	94.5	24.3	<sup>3)</sup>	<sup>4)</sup>
40	107.3	60.0	47.3	239	94.5	38.1	<sup>3)</sup>	477
50	107.3	60.0	47.3	245	94.5	49.2	<sup>3)</sup>	489
80	107.3	60.0	47.3	259	94.5	73.7	<sup>3)</sup>	517
100	107.3	60.0	47.3	273	94.5	97.0	<sup>3)</sup>	545
150	107.3	60.0	47.3	298	94.5	146.3	<sup>3)</sup>	596
200	107.3	60.0	47.3	321	94.5	193.7	<sup>3)</sup>	641
250	107.3	60.0	47.3	348	94.5	242.8	<sup>3)</sup>	696
300	107.3	60.0	47.3	370	94.5	288.9	<sup>3)</sup>	741

- 1) For high-temperature/low-temperature version: values +29 mm
- 2) For high-temperature/low-temperature version: values + 58 mm
- 3) Dependent on respective flange connection
- 4) Not available as a Dualsens version

**Flange connections**

*Flange*



A0015621

- i** Length tolerance for dimension L in mm:  
 DN ≤ 100: +1.5 to -2.0 mm  
 DN ≥ 150: ±3.5 mm

Flange connection dimensions according to DIN EN 1092-1: PN 10 Triple-certified material, 1.4404/F316/F316L Order code for "Process connection", option DDS						
DN [mm]	A [mm]	B [mm]	C [mm]	D [mm]	E [mm]	L <sup>1)</sup> [mm]
200	340	295	8 × Ø 22	24	193.7	251
250	395	350	12 × Ø22	26	242.8	282
300	445	400	12 × Ø22	26	288.9	328

Raised face according to DIN EN 1092-1 Form B1: Ra 3.2 to 12.5 µm

- 1) Version compliant with ISO 13359 available on request: for DN 200: 350 mm; for DN 250: 450 mm; for DN 300: 500 mm

Flange connection dimensions according to DIN EN 1092-1: PN 16 ■ Triple-certified material, 1.4404/F316/F316L ■ Alloy C22/2.4602 (DN 15 to 150) Order code for "Process connection", option D1S						
DN [mm]	A [mm]	B [mm]	C [mm]	D [mm]	E [mm]	L <sup>1) 2)</sup> [mm]
100	220	180	8 × Ø 18	20	97.0	250
150	285	240	8 × Ø 22	22	146.3	300
200	340	295	12 × Ø22	24	193.7	251
250	405	355	12 × Ø26	26	242.8	286
300	460	410	12 × Ø26	28	288.9	348

Raised face according to DIN EN 1092-1 Form B1: Ra 3.2 to 12.5 µm

- 1) Compliant with ISO 13359 for DN 100 to 150  
 2) Version compliant with ISO 13359 available on request: for DN 200: 350 mm; for DN 250: 450 mm; for DN 300: 500 mm

Flange connection dimensions according to DIN EN 1092-1: PN 25						
<ul style="list-style-type: none"> <li>▪ Triple-certified material, 1.4404/F316/F316L</li> <li>▪ Alloy C22/2.4602 (DN 15 to 150)</li> </ul>						
Order code for "Process connection", option DES						
DN [mm]	A [mm]	B [mm]	C [mm]	D [mm]	E [mm]	L <sup>1)</sup> [mm]
200	360	310	12 × Ø26	30	193.7	287
250	425	370	12 × Ø30	32	242.8	322
300	485	430	16 × Ø30	34	288.9	376
Raised face according to DIN EN 1092-1 Form B1: Ra 3.2 to 12.5 µm						

- 1) Version compliant with ISO 13359 available on request: for DN 200: 350 mm; for DN 250: 450 mm; for DN 300: 500 mm

Flange connection dimensions according to DIN EN 1092-1: PN 40						
<ul style="list-style-type: none"> <li>▪ Triple-certified material, 1.4404/F316/F316L</li> <li>▪ Alloy C22/2.4602 (DN 15 to 150)</li> </ul>						
Order code for "Process connection", option D2S						
DN [mm]	A [mm]	B [mm]	C [mm]	D [mm]	E [mm]	L <sup>1) 2)</sup> [mm]
15	95	65	4 × Ø14	16	13.9	200
25	115	85	4 × Ø14	18	24.3	200
40	150	110	4 × Ø18	18	38.1	200
50	165	125	4 × Ø18	20	49.2	200
80	200	160	8 × Ø 18	24	73.7	200
100	235	190	8 × Ø 22	24	97	250
150	300	250	8 × Ø 26	28	146.3	300
200	375	320	12 × Ø30	34	193.7	303
250	450	385	12 × Ø33	38	242.8	356
300	515	450	16 × Ø33	42	288.9	422
Raised face according to DIN EN 1092-1 Form B1: Ra 3.2 to 12.5 µm						

- 1) Compliant with ISO 13359 for DN 15 to 150  
 2) Version compliant with ISO 13359 available on request: for DN 200: 350 mm; for DN 250: 450 mm; for DN 300: 500 mm

Flange connection dimensions as per DIN EN 1092-1: PN 40 with groove						
<ul style="list-style-type: none"> <li>▪ Triple-certified material, 1.4404/F316/F316L</li> <li>▪ Alloy C22/2.4602 (DN 15 to 150)</li> </ul>						
Order code for "Process connection", option D6S						
DN [mm]	A [mm]	B [mm]	C [mm]	D [mm]	E [mm]	L <sup>1) 2)</sup> [mm]
15	95	65	4 × Ø14	16	13.9	200
25	115	85	4 × Ø14	18	24.3	200
40	150	110	4 × Ø18	18	38.1	200
50	165	125	4 × Ø18	20	49.2	200
80	200	160	8 × Ø 18	24	73.7	200
100	235	190	8 × Ø 22	24	97	250

Flange connection dimensions as per DIN EN 1092-1: PN 40 with groove						
<ul style="list-style-type: none"> <li>▪ Triple-certified material, 1.4404/F316/F316L</li> <li>▪ Alloy C22/2.4602 (DN 15 to 150)</li> </ul>						
Order code for "Process connection", option D6S						
DN [mm]	A [mm]	B [mm]	C [mm]	D [mm]	E [mm]	L <sup>1) 2)</sup> [mm]
150	300	250	8 × Ø 26	28	146.3	300
Raised face according to DIN EN 1092-1 Form B1: Ra 3.2 to 12.5 µm						

- 1) Compliant with ISO 13359 for DN 15 to 150
- 2) Version compliant with ISO 13359 available on request: for DN 200: 350 mm; for DN 250: 450 mm; for DN 300: 500 mm

Flange connection dimensions according to DIN EN 1092-1: PN 63						
Triple-certified material, 1.4404/F316/F316L						
Order code for "Process connection", option D3W						
DN [mm]	A [mm]	B [mm]	C [mm]	D [mm]	E [mm]	L [mm]
50	180	135	4 × Ø 22	26	49.2	222
80	215	170	8 × Ø 22	28	73.7	228
100	250	200	8 × Ø 26	30	97	268
150	345	280	8 × Ø 33	36	146.3	316
200	415	345	12 × Ø 36	42	193.7	347
250	470	400	12 × Ø 36	46	242.8	396
300	530	460	16 × Ø 36	52	288.9	472
Raised face according to DIN EN 1092-1 Form B1: Ra 3.2 to 12.5 µm						

Flange connection dimensions according to DIN EN 1092-1: PN 100						
Triple-certified material, 1.4404/F316/F316L						
Order code for "Process connection", option D4W						
DN [mm]	A [mm]	B [mm]	C [mm]	D [mm]	E [mm]	L [mm]
25	140	100	4 × Ø 18	24	24.3	230
40	170	125	4 × Ø 22	26	38.1	204
50	195	145	4 × Ø 26	28	49.2	234
80	230	180	8 × Ø 26	32	73.7	240
100	265	210	8 × Ø 30	36	97	292
150	355	290	12 × Ø 33	44	146.3	356
200	430	360	12 × Ø 36	52	193.7	387
250	505	430	12 × Ø 39	60	242.8	460
300	585	500	16 × Ø 42	68	288.9	532
Raised face according to DIN EN 1092-1 Form B1: Ra 3.2 to 12.5 µm						

**Flange connection dimensions according to ASME B16.5: Class 150, Schedule 40/80**

- Triple-certified material, 1.4404/F316/F316L
- Alloy C22/2.4602 (DN 15 to 150)

Order code for "Process connection", option AAS/AFS

DN [mm]	A [mm]	B [mm]	C [mm]	D [mm]	E [mm]	L [mm]
15	88.9	60.5	4 × Ø15.7	11.2	13.9	200
25	107.9	79.2	4 × Ø15.7	15.7	24.3	200
40	127.0	98.6	4 × Ø15.7	17.5	38.1	200
50	152.4	120.7	4 × Ø19.1	19.1	49.2	200
80	190.5	152.4	4 × Ø19.1	23.9	73.7	200
100	228.6	190.5	8 × Ø 19.1	24.5	97	250
150	279.4	241.3	8 × Ø 22.4	25.4	146.3	300
200	345	298.5	8 × Ø 22.3	29	193.7	329
250	405	362	12 × Ø25.4	30.6	242.8	348
300	485	431.8	12 × Ø25.4	32.2	288.9	418

Raised face according to ASME B16.5: Ra 3.2 to 6.3 µm

**Flange connection dimensions according to ASME B16.5: Class 300, Schedule 40/80**

- Triple-certified material, 1.4404/F316/F316L
- Alloy C22/2.4602 (DN 15 to 150)

Order code for "Process connection", option ABS/AGS

DN [mm]	A [mm]	B [mm]	C [mm]	D [mm]	E [mm]	L [mm]
15	95.0	66.5	4 × Ø15.7	14.2	13.9	200
25	123.8	88.9	4 × Ø19.1	19.1	24.3	200
40	155.6	114.3	4 × Ø22.4	20.6	38.1	200
50	165.0	127.0	8 × Ø 19.1	22.4	49.2	200
80	210.0	168.1	8 × Ø 22.4	28.4	73.7	200
100	254.0	200.2	8 × Ø 22.4	31.8	97	250
150	317.5	269.7	12 × Ø22.4	36.6	146.3	300
200	380	330.2	12 × Ø25.4	41.7	193.7	350
250	445	387.4	16 × Ø28.6	48.1	242.8	380
300	520	450.8	16 × Ø31.8	51.3	288.9	450

Raised face according to ASME B16.5: Ra 3.2 to 6.3 µm

**Flange connection dimensions according to ASME B16.5: Class 600, Schedule 80**

Triple-certified material, 1.4404/F316/F316L

Order code for "Process connection", option ACS

DN [mm]	A [mm]	B [mm]	C [mm]	D [mm]	E [mm]	L [mm]
15	95	66.5	4 × Ø15.7	23	13.9	207
25	125	88.9	4 × Ø19.1	27	24.3	252
40	155	114.3	4 × Ø22.4	31	38.1	234
50	165	127.0	8 × Ø 19.1	33	49.2	258
80	210	168.1	8 × Ø 22.4	39	73.7	264

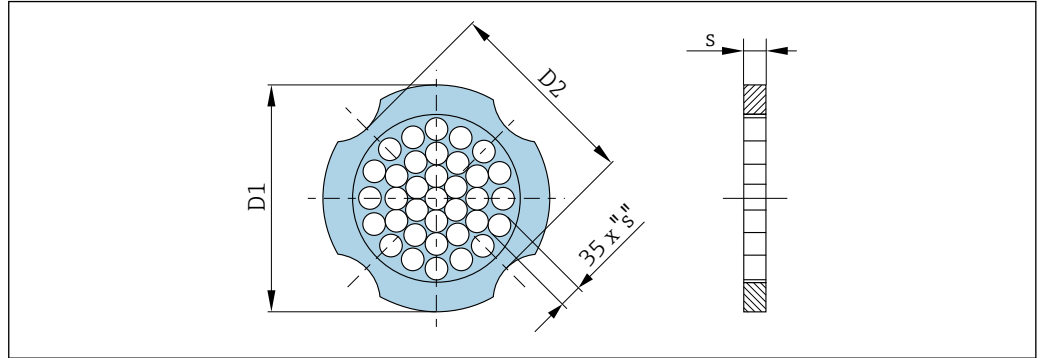
Flange connection dimensions according to ASME B16.5: Class 600, Schedule 80 Triple-certified material, 1.4404/F316/F316L Order code for "Process connection", option ACS						
DN [mm]	A [mm]	B [mm]	C [mm]	D [mm]	E [mm]	L [mm]
100	275	215.9	8 × Ø 25.4	49	97	330
150	355	292.1	12 × Ø28.4	64	146.3	374
200	420	349.2	12 × Ø31.8	193.7	193.7	405
250	510	431.8	12 × Ø35	242.8	242.8	462
300	560	489	16 × Ø35	288.9	288.9	514
Raised face according to ASME B16.5: Ra 3.2 to 6.3 µm						

Flange connection dimensions according to JIS B2220: 10K, Schedule 40/80 Triple-certified material, 1.4404/F316/F316L Order code for "Process connection", option NDS/NFS						
DN [mm]	A [mm]	B [mm]	C [mm]	D [mm]	E [mm]	L [mm]
50	155	120	4 × Ø19	16	49.2	200
80	185	150	8 × Ø 19	18	73.7	200
100	210	175	8 × Ø 19	18	97	250
150	280	240	8 × Ø 23	22	146.3	300
200	330	290	12 × Ø23	22	193.7	247
250	400	355	12 × Ø25	24	242.8	280
300	445	400	16 × Ø25	24	288.9	334
Raised face according to JIS 2220: Ra 3.2 to 6.3 µm						

Flange connection dimensions according to JIS B2220: 20K, Schedule 40/80 Triple-certified material, 1.4404/F316/F316L Order code for "Process connection", option NES/NGS						
DN [mm]	A [mm]	B [mm]	C [mm]	D [mm]	E [mm]	L [mm]
15	95	70	4 × Ø15	14	13.9	200
25	125	90	4 × Ø19	16	24.3	200
40	140	105	4 × Ø19	18	38.1	200
50	155	120	8 × Ø 19	18	49.2	200
80	200	160	8 × Ø 23	22	73.7	200
100	225	185	8 × Ø 23	24	97	250
150	305	260	12 × Ø25	28	146.3	300
200	350	305	12 × Ø25	30	193.7	285
250	430	380	12 × Ø27	34	242.8	324
300	480	430	16 × Ø27	36	288.9	386
Raised face according to JIS 2220: Ra 3.2 to 6.3 µm						

**Accessories**

*Flow conditioner*



A0033504

**Used in combination with flanges according to DIN EN 1092-1: PN 10  
1.4404 (316, 316L)  
Order code for "Accessory enclosed", option PF**

DN [mm]	Centering diameter [mm]	D1 <sup>1)</sup> / D2 <sup>2)</sup>	s [mm]
15	54.3	D2	2.0
25	74.3	D1	3.5
40	95.3	D1	5.3
50	110.0	D2	6.8
80	145.3	D2	10.1
100	165.3	D2	13.3
150	221.0	D2	20.0
200	274.0	D1	26.3
250	330.0	D2	33.0
300	380.0	D2	39.6

- 1) The flow conditioner is fitted at the outer diameter between the bolts.
- 2) The flow conditioner is fitted at the indentations between the bolts.

**Used in combination with flanges according to DIN EN 1092-1: PN 16  
1.4404 (316, 316L)  
Order code for "Accessory enclosed", option PF**

DN [mm]	Centering diameter [mm]	D1 <sup>1)</sup> / D2 <sup>2)</sup>	s [mm]
15	54.3	D2	2.0
25	74.3	D1	3.5
40	95.3	D1	5.3
50	110.0	D2	6.8
80	145.3	D2	10.1
100	165.3	D2	13.3
150	221.0	D2	20.0
200	274.0	D2	26.3

Used in combination with flanges according to DIN EN 1092-1: PN 16 1.4404 (316, 316L) Order code for "Accessory enclosed", option PF			
DN [mm]	Centering diameter [mm]	D1 <sup>1)</sup> / D2 <sup>2)</sup>	s [mm]
250	330.0	D2	33.0
300	380.0	D2	39.6

- 1) The flow conditioner is fitted at the outer diameter between the bolts.
- 2) The flow conditioner is fitted at the indentations between the bolts.

Used in combination with flanges according to DIN EN 1092-1: PN 25 1.4404 (316, 316L) Order code for "Accessory enclosed", option PF			
DN [mm]	Centering diameter [mm]	D1 <sup>1)</sup> / D2 <sup>2)</sup>	s [mm]
15	54.3	D2	2.0
25	74.3	D1	3.5
40	95.3	D1	5.3
50	110.0	D2	6.8
80	145.3	D2	10.1
100	171.3	D1	13.3
150	227.0	D2	20.0
200	280.0	D1	26.3
250	340.0	D1	33.0
300	404.0	D1	39.6

- 1) The flow conditioner is fitted at the outer diameter between the bolts.
- 2) The flow conditioner is fitted at the indentations between the bolts.

Used in combination with flanges according to DIN EN 1092-1: PN 40 1.4404 (316, 316L) Order code for "Accessory enclosed", option PF			
DN [mm]	Centering diameter [mm]	D1 <sup>1)</sup> / D2 <sup>2)</sup>	s [mm]
15	54.3	D2	2.0
25	74.3	D1	3.5
40	95.3	D1	5.3
50	110.0	D2	6.8
80	145.3	D2	10.1
100	171.3	D1	13.3
150	227.0	D2	20.0
200	294.0	D2	26.3
250	355.0	D2	33.0
300	420.0	D1	39.6

- 1) The flow conditioner is fitted at the outer diameter between the bolts.
- 2) The flow conditioner is fitted at the indentations between the bolts.



Used in combination with flanges according to DIN EN 1092-1: PN 63 1.4404 (316, 316L) Order code for "Accessory enclosed", option PF			
DN [mm]	Centering diameter [mm]	D1 <sup>1)</sup> / D2 <sup>2)</sup>	s [mm]
15	64.3	D1	2.0
25	85.3	D1	3.5
40	106.3	D1	5.3
50	116.3	D1	6.8
80	151.3	D1	10.1
100	176.5	D2	13.3
150	252.0	D1	20.0

- 1) The flow conditioner is fitted at the outer diameter between the bolts.  
2) The flow conditioner is fitted at the indentations between the bolts.

Used in combination with flanges according to ASME B16.5: Class 150 1.4404 (316, 316L) Order code for "Accessory enclosed", option PF			
DN [mm]	Centering diameter [mm]	D1 <sup>1)</sup> / D2 <sup>2)</sup>	s [mm]
15	50.1	D1	2.0
25	69.2	D2	3.5
40	88.2	D2	5.3
50	106.6	D2	6.8
80	138.4	D1	10.1
100	176.5	D2	13.3
150	223.5	D1	20.0
200	274.0	D2	26.3
250	340.0	D1	33.0
300	404.0	D1	39.6

- 1) The flow conditioner is fitted at the outer diameter between the bolts.  
2) The flow conditioner is fitted at the indentations between the bolts.

Used in combination with flanges according to ASME B16.5: Class 300 1.4404 (316, 316L) Order code for "Accessory enclosed", option PF			
DN [mm]	Centering diameter [mm]	D1 <sup>1)</sup> / D2 <sup>2)</sup>	s [mm]
15	56.5	D1	2.0
25	74.3	D1	3.5
40	97.7	D2	5.3
50	113.0	D1	6.8
80	151.3	D1	10.1
100	182.6	D1	13.3
150	252.0	D1	20.0
200	309.0	D1	26.3

Used in combination with flanges according to ASME B16.5: Class 300 1.4404 (316, 316L) Order code for "Accessory enclosed", option PF			
DN [mm]	Centering diameter [mm]	D1 <sup>1)</sup> / D2 <sup>2)</sup>	s [mm]
250	363.0	D1	33.0
300	402.0	D1	39.6

- 1) The flow conditioner is fitted at the outer diameter between the bolts.
- 2) The flow conditioner is fitted at the indentations between the bolts.

Used in combination with flanges according to JIS B2220: 10K 1.4404 (316, 316L) Order code for "Accessory enclosed", option PF			
DN [mm]	Centering diameter [mm]	D1 <sup>1)</sup> / D2 <sup>2)</sup>	s [mm]
15	60.3	D2	2.0
25	76.3	D2	3.5
40	91.3	D2	5.3
50	106.6	D2	6.8
80	136.3	D2	10.1
100	161.3	D2	13.3
150	221.0	D2	20.0
200	271.0	D2	26.3
250	330.0	D2	33.0
300	380.0	D2	39.6

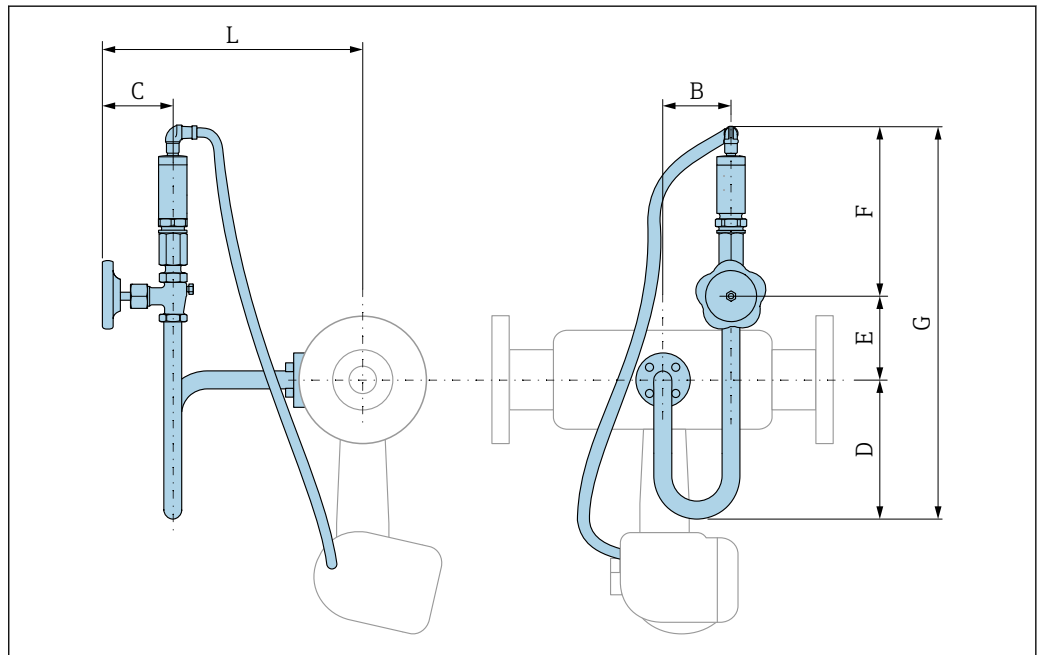
- 1) The flow conditioner is fitted at the outer diameter between the bolts.
- 2) The flow conditioner is fitted at the indentations between the bolts.

Used in combination with flanges according to JIS B2220: 20K 1.4404 (316, 316L) Order code for "Accessory enclosed", option PF			
DN [mm]	Centering diameter [mm]	D1 <sup>1)</sup> / D2 <sup>2)</sup>	s [mm]
15	60.3	D2	2.0
25	76.3	D2	3.5
40	91.3	D2	5.3
50	106.6	D2	6.8
80	142.3	D1	10.1
100	167.3	D1	13.3
150	240.0	D1	20.0
200	284.0	D1	26.3
250	355.0	D2	33.0
300	404.0	D1	39.6

- 1) The flow conditioner is fitted at the outer diameter between the bolts.
- 2) The flow conditioner is fitted at the indentations between the bolts.

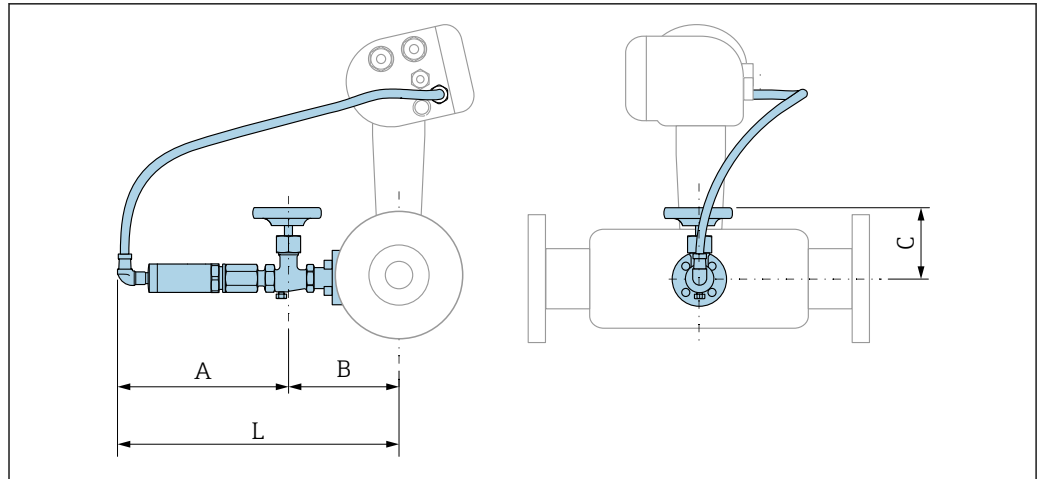
Pressure measuring cell

**i** The "mass" sensor version (integrated pressure/temperature measurement) is available only for measuring devices in the HART communication mode.



A0033851

Order code for "Sensor version; DSC sensor; measuring tube": Option DA "Mass steam; 316L; 316L (integrated pressure/temperature measurement)"							
DN [mm]	B [mm]	C [mm]	D [mm]	E [mm]	F [mm]	G [mm]	L [mm]
25	76	78.8	155	60.8	190.5	407	307
40	76	78.8	155	60.8	190.5	407	314
50	76	78.8	155	60.8	190.5	407	320
80	76	78.8	155	60.8	190.5	407	331
100	76	78.8	155	60.8	190.5	407	346
150	76	78.8	155	60.8	190.5	407	372
200	76	78.8	155	60.8	190.5	407	395
250	76	78.8	155	60.8	190.5	407	423
300	76	78.8	155	60.8	190.5	407	449



A0034024

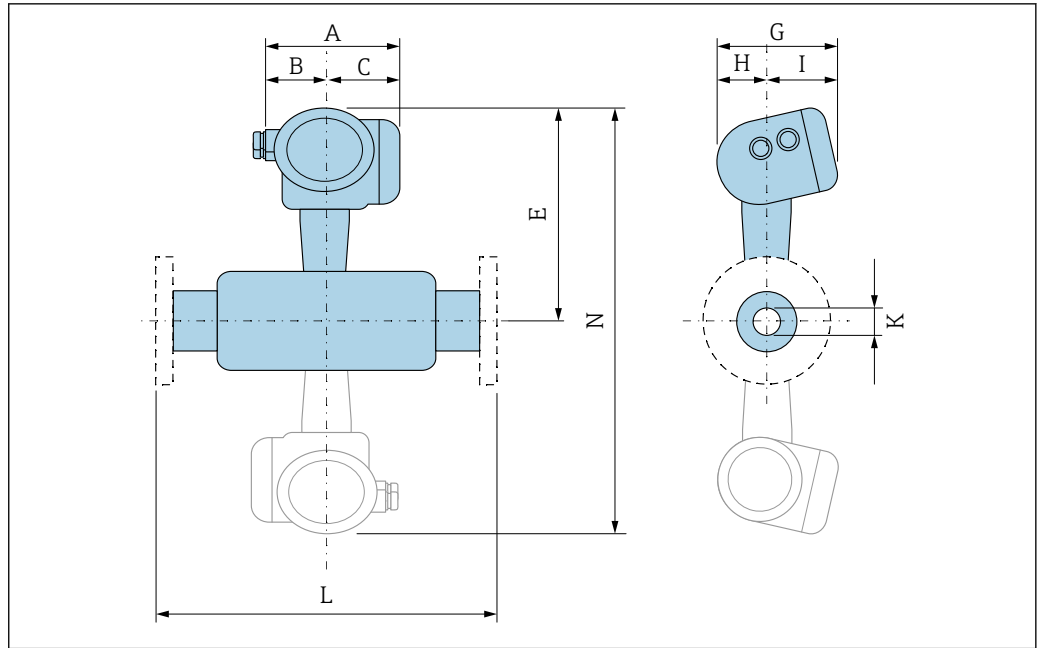
Order code for "Sensor version; DSC sensor; measuring tube":  
 Option DB "Mass gas/liquid; 316L; 316L (integrated pressure/temperature measurement)"

DN [mm]	A [mm]	B [mm]	C [mm]	L [mm]
25	191	134	78.8	324
40	191	140	78.8	331
50	191	146	78.8	337
80	191	158	78.8	348
100	191	172	78.8	363
150	191	198	78.8	389
200	191	222	78.8	412
250	191	249	78.8	440
300	191	275	78.8	466

#### Dimensions in US units

#### Compact version

Order code for "Housing", option B "GT18, two-chamber, 316L, compact"; option C "GT20, two-chamber, aluminum, coated, compact"



A0033794

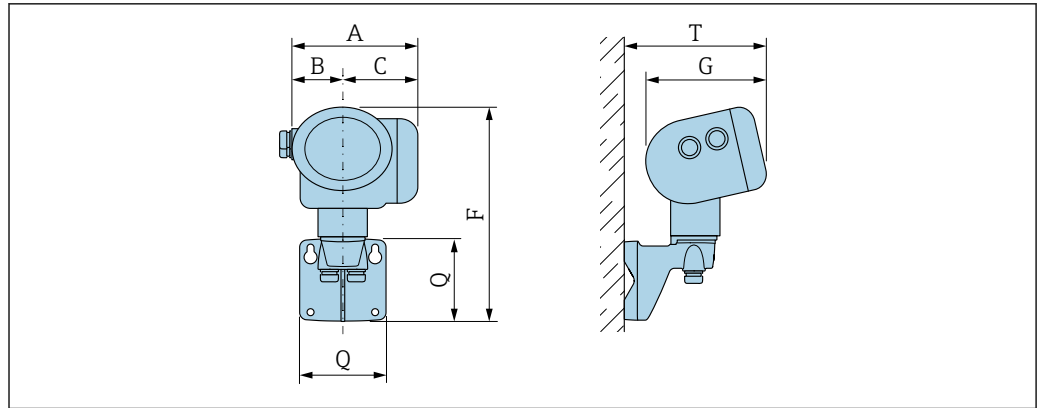
26 Grayed out: Dualsens version

DN	A <sup>1)</sup> 0.31 in	B	C <sup>1)</sup>	E <sup>2) 3)</sup>	G	H	I <sup>4)</sup>	K (D <sub>1</sub> )	L	N <sup>5) 6)</sup>
[in]	[in]	[in]	[in]	[in]	[in]	[in]	[in]	[in]	[in]	[in]
½	5.52	2.04	3.48	9.92	6.3	2.29	4	0.55	7)	8)
1	5.52	2.04	3.48	10.2	6.3	2.29	4	0.96	7)	8)
1½	5.52	2.04	3.48	10.5	6.3	2.29	4	1.5	7)	20.9
2	5.52	2.04	3.48	10.7	6.3	2.29	4	1.94	7)	21.4
3	5.52	2.04	3.48	11.3	6.3	2.29	4	2.9	7)	22.5
4	5.52	2.04	3.48	11.8	6.3	2.29	4	3.82	7)	23.6
6	5.52	2.04	3.48	12.8	6.3	2.29	4	5.76	7)	25.6
8	5.52	2.04	3.48	13.7	6.3	2.29	4	7.63	7)	27.4
10	5.52	2.04	3.48	14.8	6.3	2.29	4	9.56	7)	29.5
12	5.52	2.04	3.48	15.6	6.3	2.29	4	11.4	7)	31.3

- 1) For version with overvoltage protection: values +
- 2) For version without local display: values - 0.39 in
- 3) For high-temperature/low-temperature version: values + 1.14 in
- 4) For version without local display: values - 0.28 in
- 5) For version without local display: values - 0.78 in
- 6) For high-temperature/low-temperature version: values + 2.28 in
- 7) Dependent on respective flange connection
- 8) Not available as a Dualsens version

**Transmitter remote version**

Order code for "Housing", option J "GT20 two-chamber, aluminum, coated, remote"; option K "GT18 two-chamber, 316L, remote"



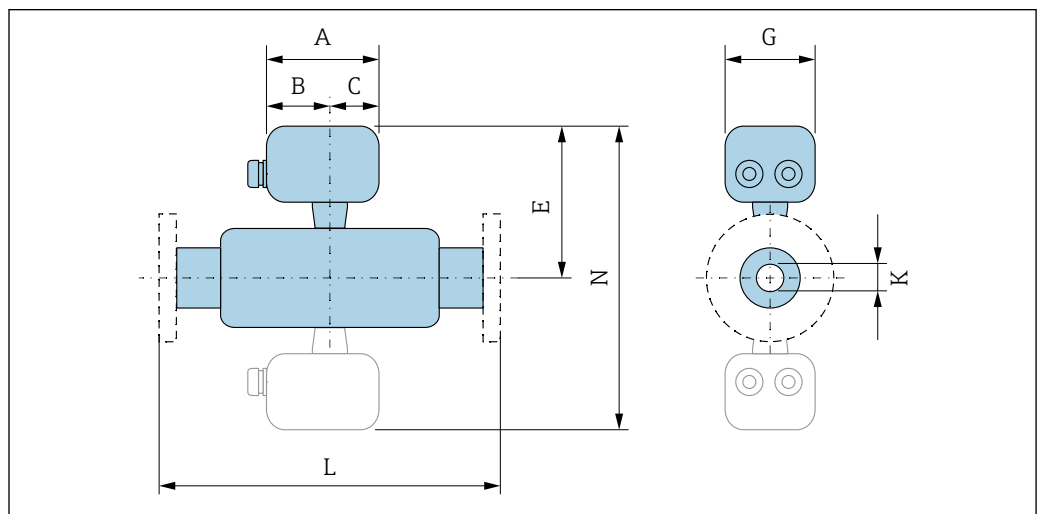
A0033796

A <sup>1)</sup> [in]	B [in]	C <sup>1)</sup> [in]	F <sup>2)</sup> [in]	G <sup>3)</sup> [in]	Q [in]	T <sup>3)</sup> [in]
5.52	2.04	3.48	10	6.3	4.21	7.52

- 1) For version with overvoltage protection: value + 0.31 in
- 2) For version without local display: value - 0.39 in
- 3) For version without local display: value - 0.28 in

**Sensor remote version**

Order code for "Housing", option J "GT20 two-chamber, aluminum, coated, remote"; option K "GT18 two-chamber, 316L, remote"



A0033797

27 *Grayed out: Dualsens version*

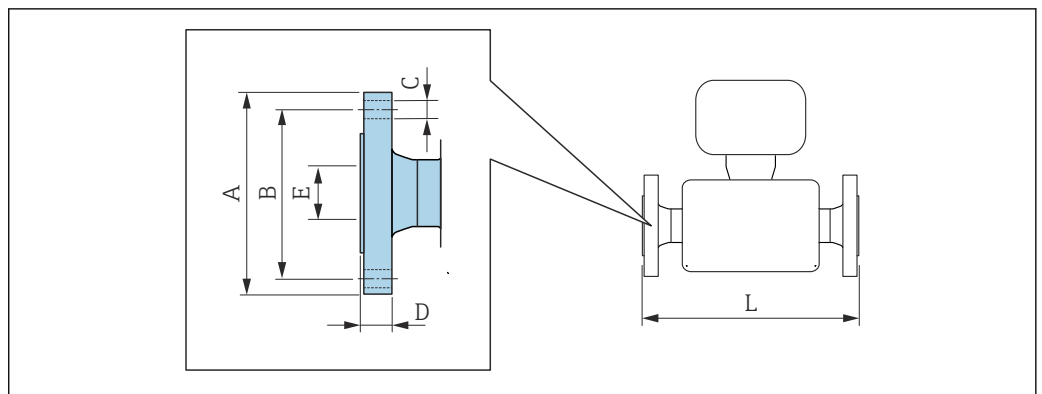
DN [in]	A [in]	B [in]	C [in]	E <sup>1)</sup> [in]	G [in]	K (D <sub>i</sub> ) [in]	L [in]	N <sup>2)</sup> [in]
½	4.22	2.36	1.86	8.86	3.72	0.55	<sup>3)</sup>	<sup>4)</sup>
1	4.22	2.36	1.86	9.09	3.72	0.96	<sup>3)</sup>	<sup>4)</sup>
1½	4.22	2.36	1.86	9.41	3.72	1.5	<sup>3)</sup>	18.8
2	4.22	2.36	1.86	9.65	3.72	1.94	<sup>3)</sup>	19.3
3	4.22	2.36	1.86	10.2	3.72	2.9	<sup>3)</sup>	20.4
4	4.22	2.36	1.86	10.7	3.72	3.82	<sup>3)</sup>	21.5
6	4.22	2.36	1.86	11.7	3.72	5.76	<sup>3)</sup>	23.5

DN [in]	A [in]	B [in]	C [in]	E <sup>1)</sup> [in]	G [in]	K (D <sub>i</sub> ) [in]	L [in]	N <sup>2)</sup> [in]
8	4.22	2.36	1.86	12.6	3.72	7.63	<sup>3)</sup>	25.2
10	4.22	2.36	1.86	13.7	3.72	9.56	<sup>3)</sup>	27.4
12	4.22	2.36	1.86	14.6	3.72	11.4	<sup>3)</sup>	29.2

- 1) For high-temperature/low-temperature version: values +1.14 in
- 2) For high-temperature/low-temperature version: values +2.28 in
- 3) Dependent on respective flange connection
- 4) Not available as a Dualsens version

**Flange connections**

*Flange*



A0015621

- i** Length tolerance for dimension L in inch:  
 DN ≤ 4": +0.06 to -0.08 in  
 DN ≥ 6": ±0.14 in

Flange connection dimensions according to ASME B16.5: Class 150, Schedule 40/80						
<ul style="list-style-type: none"> <li>▪ Triple-certified material, 1.4404/F316/F316L</li> <li>▪ Alloy C22/2.4602 (DN ½ to 6")</li> </ul>						
Order code for "Process connection", option AAS/AFS						
DN [in]	A [in]	B [in]	C [in]	D [in]	E [in]	L [in]
½	3.5	2.38	4 × Ø0.62	0.44	0.55	7.87
1	4.25	3.12	4 × Ø0.62	0.62	0.96	7.87
1½	5	3.88	4 × Ø0.62	0.69	1.5	7.87
2	6	4.75	4 × Ø0.75	0.75	1.94	7.87
3	7.5	6	4 × Ø0.75	0.94	2.9	7.87
4	9	7.5	8 × Ø0.75	0.96	3.82	9.84
6	11	9.5	8 × Ø0.88	1	5.76	11.81
8	13.6	11.8	8 × Ø0.88	1.14	7.63	12.95
10	15.9	14.3	12 × Ø1	1.2	9.56	13.7
12	19.1	17	12 × Ø1	1.27	11.4	16.46
Raised face according to ASME B16.5: Ra 125 to 250µin						

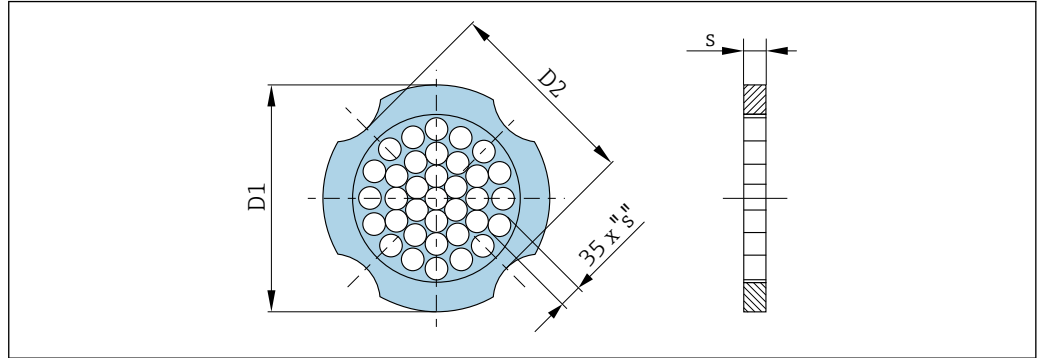
<b>Flange connection dimensions according to ASME B16.5: Class 300, Schedule 40/80</b>						
<ul style="list-style-type: none"> <li>▪ Triple-certified material, 1.4404/F316/F316L</li> <li>▪ Alloy C22/2.4602 (DN ½ to 6")</li> </ul>						
Order code for "Process connection", option ABS/AGS						
DN [in]	A [in]	B [in]	C [in]	D [in]	E [in]	L [in]
½	3.74	2.62	4 × Ø0.62	0.56	0.55	7.87
1	4.87	3.5	4 × Ø0.75	0.75	0.96	7.87
1½	6.13	4.5	4 × Ø0.88	0.81	1.5	7.87
2	6.5	5	8 × Ø 0.75	0.88	1.94	7.87
3	8.27	6.62	8 × Ø 0.88	1.12	2.9	7.87
4	10	7.88	8 × Ø 0.88	1.25	3.82	9.84
6	12.5	10.6	12 × Ø0.88	1.44	5.76	11.81
8	15	13	12 × Ø1	1.64	7.63	13.78
10	17.5	15.3	16 × Ø1.13	1.89	9.56	14.96
12	20.5	17.7	16 × Ø1.25	2.02	11.4	17.72
Raised face according to ASME B16.5: Ra 125 to 250µin						

<b>Flange connection dimensions according to ASME B16.5: Class 600, Schedule 80</b>						
<ul style="list-style-type: none"> <li>▪ Triple-certified material, 1.4404/F316/F316L</li> </ul>						
Order code for "Process connection", option ACS						
DN [in]	A [in]	B [in]	C [in]	D [in]	E [in]	L [in]
½	3.74	2.62	4 × Ø0.62	0.91	0.55	8.15
1	4.92	3.5	4 × Ø0.75	1.06	0.96	9.92
1½	6.1	4.5	4 × Ø0.88	1.22	1.5	9.21
2	6.5	5	8 × Ø 0.75	1.3	1.94	10.16
3	8.27	6.62	8 × Ø 0.88	1.54	2.9	10.39
4	10.8	8.5	8 × Ø 1	1.93	3.82	12.99
6	14	11.5	12 × Ø1.12	2.52	5.76	14.72
8	16.5	13.7	12 × Ø1.25	7.63	7.63	15.94
10	20.1	17	12 × Ø1.38	9.56	9.56	18.19
12	22	19.3	16 × Ø1.38	11.4	11.4	20.24
Raised face according to ASME B16.5: Ra 125 to 250µin						



**Accessories**

*Flow conditioner*



A0033504

**Used in combination with flanges according to ASME B16.5: Class 150  
1.4404 (316, 316L)  
Order code for "Accessory enclosed", option PF**

DN [in]	Centering diameter [in]	D1 <sup>1)</sup> / D2 <sup>2)</sup>	s [in]
½	1.97	D1	0.08
1	2.72	D2	0.14
1½	3.47	D2	0.21
2	4.09	D2	0.27
3	5.45	D1	0.40
4	6.95	D2	0.52
6	8.81	D1	0.79
8	10.80	D2	1.04
10	13.40	D1	1.30
12	15.90	D1	1.56

- 1) The flow conditioner is fitted at the outer diameter between the bolts.
- 2) The flow conditioner is fitted at the indentations between the bolts.

**Used in combination with flanges according to ASME B16.5: Class 300  
1.4404 (316, 316L)  
Order code for "Accessory enclosed", option PF**

DN [in]	Centering diameter [in]	D1 <sup>1)</sup> / D2 <sup>2)</sup>	s [in]
½	2.22	D1	0.08
1	2.93	D1	0.14
1½	3.85	D2	0.21
2	4.45	D1	0.27
3	5.96	D1	0.40
4	7.19	D1	0.52
6	9.92	D1	0.79
8	12.20	D1	1.04

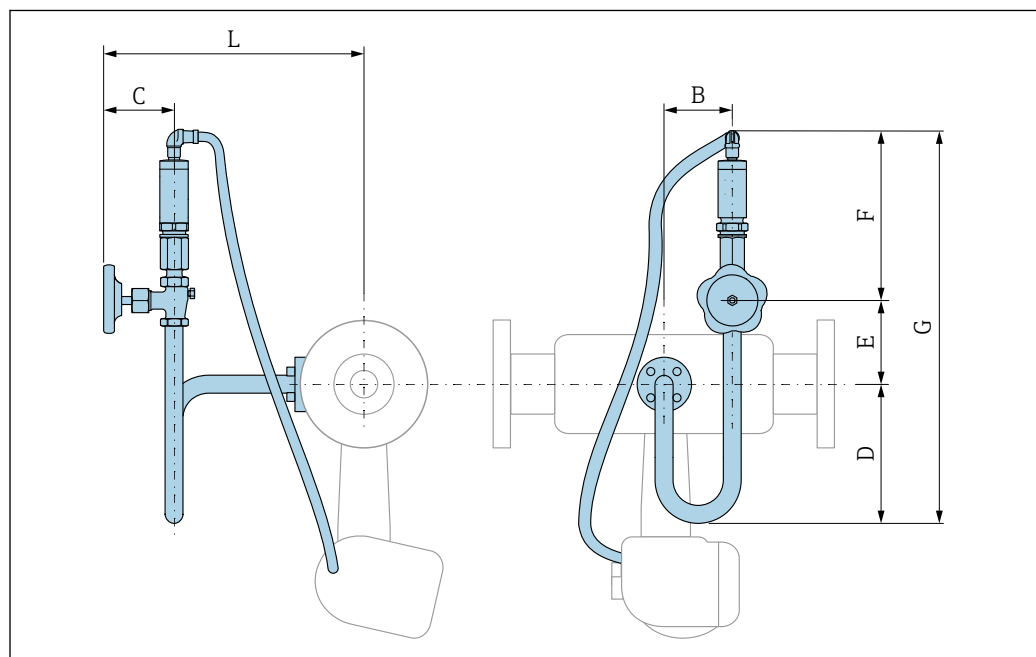
Used in combination with flanges according to ASME B16.5: Class 300  
1.4404 (316, 316L)  
Order code for "Accessory enclosed", option PF

DN [in]	Centering diameter [in]	D1 <sup>1)</sup> / D2 <sup>2)</sup>	s [in]
10	14.30	D1	1.30
12	15.80	D1	1.56

- 1) The flow conditioner is fitted at the outer diameter between the bolts.  
2) The flow conditioner is fitted at the indentations between the bolts.

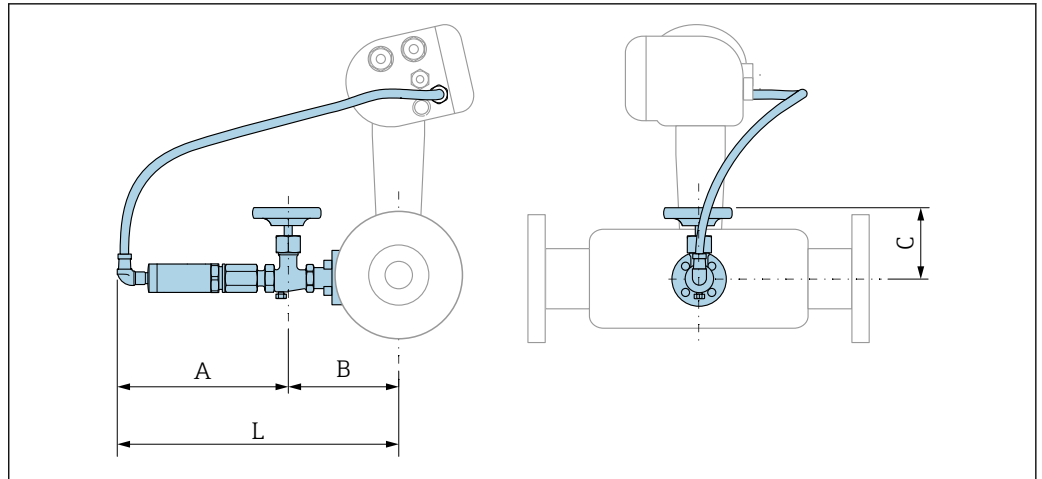
#### Pressure measuring cell

**i** The "mass" sensor version (integrated pressure/temperature measurement) is available only for measuring devices in the HART communication mode.



Order code for "Sensor version; DSC sensor; measuring tube":  
Option DA "Mass steam; 316L; 316L (integrated pressure/temperature measurement)"

DN [in]	B [in]	C [in]	D [in]	E [in]	F [in]	G [in]	L [in]
1	2.99	3.1	6.1	2.39	7.5	16.02	12.09
1½	2.99	3.1	6.1	2.39	7.5	16.02	12.36
2	2.99	3.1	6.1	2.39	7.5	16.02	12.6
3	2.99	3.1	6.1	2.39	7.5	16.02	13.03
4	2.99	3.1	6.1	2.39	7.5	16.02	13.62
6	2.99	3.1	6.1	2.39	7.5	16.02	14.65
8	2.99	3.1	6.1	2.39	7.5	16.02	15.55
10	2.99	3.1	6.1	2.39	7.5	16.02	16.65
12	2.99	3.1	6.1	2.39	7.5	16.02	17.68



A0034024

Order code for "Sensor version; DSC sensor; measuring tube": Option DB "Mass gas/liquid; 316L; 316L (integrated pressure/temperature measurement)"				
DN [in]	A [in]	B [in]	C [in]	L [in]
1	7.52	5.28	3.1	12.76
1½	7.52	5.51	3.1	13.03
2	7.52	5.75	3.1	13.27
3	7.52	6.22	3.1	13.7
4	7.52	6.77	3.1	14.29
6	7.52	7.8	3.1	15.31
8	7.52	8.74	3.1	16.22
10	7.52	9.8	3.1	17.32
12	7.52	10.83	3.1	18.35

**Weight**

**Compact version**

Weight data:

- Including the transmitter:
  - Order code for "Housing", option C "GT20, two-chamber, aluminum, coated, compact" 1.8 kg (4.0 lb):
  - Order code for "Housing", option B "GT18 two-chamber, 316L, compact" 4.5 kg (9.9 lb):
- Excluding packaging material

Weight in SI units

All values (weight) refer to devices with EN (DIN), PN 40 flanges. Weight information in [kg].

DN [mm]	Weight [kg]	
	Order code for "Housing", option C "GT20 two-chamber, aluminum, coated, compact" <sup>1)</sup>	Order code for "Housing", option B "GT18 two-chamber, 316L, compact" <sup>1)</sup>
15	5.1	7.8
25	7.1	9.8
40	9.1	11.8
50	11.1	13.8
80	16.1	18.8
100	21.1	23.8
150	37.1	39.8

DN [mm]	Weight [kg]	
	Order code for "Housing", option C "GT20 two-chamber, aluminum, coated, compact" <sup>1)</sup>	Order code for "Housing", option B "GT18 two-chamber, 316L, compact" <sup>1)</sup>
200	72.1	74.8
250	111.1	113.8
300	158.1	160.8

1) For high-temperature/low-temperature version: values + 0.2 kg

#### Weight in US units

All values (weight) refer to devices with ASME B16.5, Class 300/Sch. 40 flanges. Weight information in [lbs].

DN [in]	Weight [lbs]	
	Order code for "Housing", option C "GT20 two-chamber, aluminum, coated, compact" <sup>1)</sup>	Order code for "Housing", option B "GT18 two-chamber, 316L, compact" <sup>1)</sup>
½	11.3	17.3
1	15.7	21.7
1½	22.4	28.3
2	26.8	32.7
3	42.2	48.1
4	66.5	72.4
6	110.5	116.5
8	167.9	173.8
10	240.6	246.6
12	357.5	363.4

1) For high-temperature/low-temperature version: values + 0.4 lbs

#### Transmitter remote version

##### Wall-mount housing

Dependent on the material of wall-mount housing:

- Order code for "Housing" option J "GT20 two-chamber, aluminum, coated, remote" 2.4 kg (5.2 lb):
- Order code for "Housing", option K "GT18 two-chamber, 316L, remote" 6.0 kg (13.2 lb):

##### Sensor remote version

Weight data:

- Including sensor connection housing:
  - Order code for "Housing" option J "GT20 two-chamber, aluminum, coated, remote" 0.8 kg (1.8 lb):
  - Order code for "Housing", option K "GT18 two-chamber, 316L, remote" 2.0 kg (4.4 lb):
- Excluding the connecting cable
- Excluding packaging material

##### Weight in SI units

All values (weight) refer to devices with EN (DIN), PN 40 flanges. Weight information in [kg].

DN [mm]	Weight [kg]	
	sensor connection housing Order code for "Housing", option J "GT20 two-chamber, aluminum, coated, remote" <sup>1)</sup>	sensor connection housing Order code for "Housing", option K "GT18 two-chamber, 316L, remote" <sup>1)</sup>
15	4.1	5.3
25	6.1	7.3
40	8.1	9.3
50	10.1	11.3
80	15.1	16.3
100	20.1	21.3
150	36.1	37.3
200	71.1	72.3
250	110.1	111.3
300	157.1	158.3

1) For high-temperature/low-temperature version: values + 0.2 kg

*Weight in US units*

All values (weight) refer to devices with ASME B16.5, Class 300/Sch. 40 flanges. Weight information in [lbs].

DN [in]	Weight [lbs]	
	sensor connection housing Order code for "Housing", option J "GT20 two-chamber, aluminum, coated, remote" <sup>1)</sup>	sensor connection housing Order code for "Housing", option K "GT18 two-chamber, 316L, remote" <sup>1)</sup>
½	8.9	11.7
1	13.4	16.1
1½	20.0	22.7
2	24.4	27.2
3	39.8	42.6
4	64.1	66.8
6	108.2	110.9
8	165.5	168.3
10	238.2	241.0
12	355.1	357.8

1) For high-temperature/low-temperature version: values + 0.4 lbs

**Accessories**

*Flow conditioner*

*Weight in SI units*

DN <sup>1)</sup> [mm]	Pressure rating	Weight [kg]
15	PN 10 to 40	0.04
25	PN 10 to 40	0.1
40	PN 10 to 40	0.3
50	PN 10 to 40	0.5

DN <sup>1)</sup> [mm]	Pressure rating	Weight [kg]
80	PN 10 to 40	1.4
100	PN10 to 40	2.4
150	PN 10/16 PN 25/40	6.3 7.8
200	PN 10 PN 16/25 PN 40	11.5 12.3 15.9
250	PN 10 to 25 PN 40	25.7 27.5
300	PN10 to 25 PN 40	36.4 44.7

1) EN (DIN)

DN <sup>1)</sup> [mm]	Pressure rating	Weight [kg]
15	Class 150 Class 300	0.03 0.04
25	Class 150 Class 300	0.1
40	Class 150 Class 300	0.3
50	Class 150 Class 300	0.5
80	Class 150 Class 300	1.2 1.4
100	Class 150 Class 300	2.7
150	Class 150 Class 300	6.3 7.8
200	Class 150 Class 300	12.3 15.8
250	Class 150 Class 300	25.7 27.5
300	Class 150 Class 300	36.4 44.6

1) ASME

DN <sup>1)</sup> [mm]	Pressure rating	Weight [kg]
15	20K	0.06
25	20K	0.1
40	20K	0.3
50	10K 20K	0.5
80	10K 20K	1.1
100	10K 20K	1.80

DN <sup>1)</sup> [mm]	Pressure rating	Weight [kg]
150	10K	4.5
	20K	5.5
200	10K	9.2
	20K	
250	10K	15.8
	20K	19.1
300	10K	26.5
	20K	

1) JIS

*Weight in US units*

DN <sup>1)</sup> [in]	Pressure rating	Weight [lbs]
½	Class 150	0.07
	Class 300	0.09
1	Class 150	0.3
	Class 300	
1½	Class 150	0.7
	Class 300	
2	Class 150	1.1
	Class 300	
3	Class 150	2.6
	Class 300	3.1
4	Class 150	6.0
	Class 300	
6	Class 150	14.0
	Class 300	16.0
8	Class 150	27.0
	Class 300	35.0
10	Class 150	57.0
	Class 300	61.0
12	Class 150	80.0
	Class 300	98.0

1) ASME

**Materials**

**Transmitter housing**

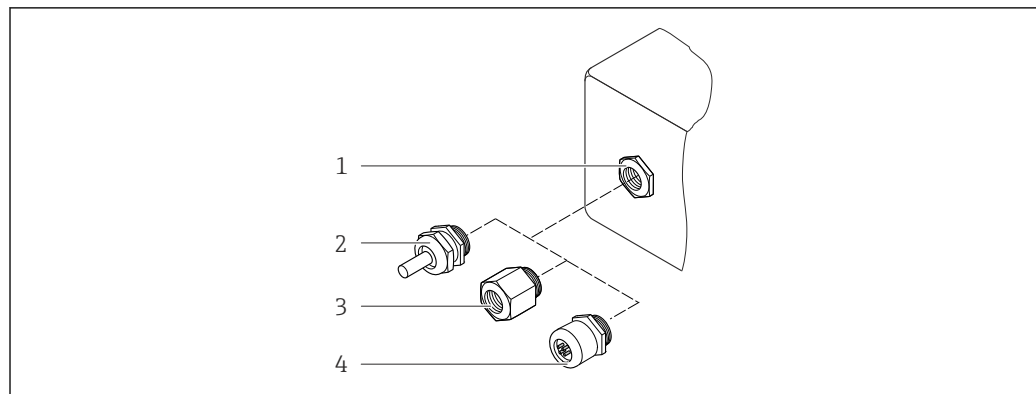
*Compact version*

- Order code for "Housing", option B "GT18 two-chamber, 316L, compact":  
Stainless steel, CF3M
- Order code for "Housing", option C "GT20, two-chamber, aluminum, coated, compact":  
Aluminum, AlSi10Mg, coated
- Window material: glass

*Remote version*

- Order code for "Housing" option J "GT20 two-chamber, aluminum, coated, remote":  
Aluminum, AlSi10Mg, coated
- Order code for "Housing", option K "GT18 two-chamber, 316L, remote":  
For maximum corrosion resistance: Stainless steel, CF3M
- Window material: glass

## Cable entries/cable glands



A0028352

28 Possible cable entries/cable glands

- 1 Female thread M20 × 1.5
- 2 Cable gland M20 × 1.5
- 3 Adapter for cable entry with internal thread G ½" or NPT ½"
- 4 Device plugs

Order code for "Housing", option B "GT18 dual compartment, 316L, compact" option K "GT18 dual compartment, 316L, remote"

Cable entry/cable gland	Type of protection	Material
Cable gland M20 × 1.5	<ul style="list-style-type: none"> <li>■ Non-hazardous area</li> <li>■ Ex ia</li> <li>■ Ex ic</li> <li>■ Ex nA, Ex ec</li> <li>■ Ex tb</li> </ul>	Stainless steel ,1.4404
Adapter for cable entry with internal thread G ½"	Non-hazardous area and hazardous area (except for XP)	Stainless steel, 1.4404 (316L)
Adapter for cable entry with internal thread NPT ½"	Non-hazardous area and hazardous area	

Order code for "Housing": option C "GT20 dual compartment, aluminum, coated, compact", option J "GT20, dual compartment, aluminum, coated remote"

- i** Applies also to the following device versions in combination with HART communication mode:  
 Order code for "Sensor version; DSC sensor; measuring tube", option DA "mass steam; 316L; 316L", option DB "mass gas/liquid; 316L; 316L"


Cable entry/cable gland	Type of protection	Material
Cable gland M20 × 1.5	<ul style="list-style-type: none"> <li>■ Non-hazardous area</li> <li>■ Ex ia</li> <li>■ Ex ic</li> </ul>	Plastic
	Adapter for cable entry with internal thread G ½"	Nickel-plated brass
Adapter for cable entry with internal thread NPT ½"	Non-hazardous area and hazardous area (except for XP)	Nickel-plated brass
Thread NPT ½" via adapter	Non-hazardous area and hazardous area	

## Connecting cable for remote version

- Standard cable: PVC cable with copper shield
- Reinforced cable: PVC cable with copper shield and additional steel wire braided jacket



### Connecting cable, pressure measuring cell

 The "mass" sensor version (integrated pressure/temperature measurement) is available only for measuring devices in the HART communication mode.

Standard cable: PVC cable with copper shield

### Sensor connection housing

The material of the sensor connection housing is dependent on the material selected for the transmitter housing.

- Order code for "Housing" option J "GT20 two-chamber, aluminum, coated, remote":  
Coated aluminum AlSi10Mg
- Order code for "Housing", option K "GT18 two-chamber, 316L, remote":  
Stainless cast steel, 1.4408 (CF3M)  
Compliant with:
  - NACE MR0175
  - NACE MR0103

### Measuring tubes

**DN 15 to 300 (½ to 12")**, pressure ratings PN 10/16/25/40 /63/100, Class 150/300 /600 , as well as JIS 10K/20K:

Stainless cast steel, CF3M/1.4408

Compliant with:

- NACE MR0175
- NACE MR0103
- DN15 to 150 (½ to 6"): AD2000, permitted temperature range -10 to +400 °C (+14 to +752 °F) restricted)

**DN 15 to 150 (½ to 6")**, pressure ratings PN 10/16/25/40, Class 150/300:

CX2MW similar to Alloy C22/2.4602

Compliant with:

- NACE MR0175
- NACE MR0103

### DSC sensor

Order code for "Sensor version; DSC sensor; measuring tube", option **AA, BA, CA, DA, DB**

**Pressure ratings PN 10/16/25/40/63/100, Class 150/300/600, as well as JIS 10K/20K:**

Parts in contact with medium (marked as "wet" on the DSC sensor flange):

- Stainless steel 1.4404 and 316 and 316L
- Compliant with:
  - NACE MR0175/ISO 15156-2015
  - NACE MR0103/ISO 17945-2015

Parts not in contact with medium:

Stainless steel 1.4301 (304)

Order code for "Sensor version; DSC sensor; measuring tube", option **AB, AC, BB, CB, CC**

**Pressure ratings PN 10/16/25/40/63/100, Class 150/300/600, as well as JIS 10K/20K:**


Parts in contact with medium (marked as "wet" on the DSC sensor flange):

- Alloy C22, UNS N06022 similar to Alloy C22/2.4602
- Compliant with:
  - NACE MR0175/ISO 15156-2015
  - NACE MR0103/ISO 17945-2015

Parts not in contact with medium:

Alloy C22, UNS N06022 similar to Alloy C22/2.4602

### Pressure measuring cell

 The "mass" sensor version (integrated pressure/temperature measurement) is available only for measuring devices in the HART communication mode.

- Wetted parts:
  - Process connection  
Stainless steel, 1.4404/316L
  - Membrane  
Stainless steel, 1.4435/316L
- Non-wetted parts:
  - Housing  
Stainless steel, 1.4404

Order code for "Sensor version; DSC sensor; measuring tube", option DA, DB

- Siphon <sup>4)</sup>  
Stainless steel, 1.4571
- Adjusting nut  
Stainless steel, 1.4571
- Pressure gauge valve  
Stainless steel, 1.4571
- Welded connection on meter body  
Stainless steel, multiple certifications 1.4404/316/316L
- Seals  
Copper

### Process connections

**DN 15 to 300 (½ to 12"), pressure ratings PN 10/16/25/40/63/100, Class 150/300/600, as well as JIS 10K/20K:**

Welding neck flanges DN 15 to 300 (½ to 12")

Compliant with:

NACE MR0175-2003

NACE MR0103-2003

The following materials are available depending on the pressure rating:

- Stainless steel, multiple certifications, 1.4404/F316/F316L)
- Alloy C22/2.4602



Available process connections → 83

### Seals

- Graphite (standard)  
Sigraflex foil™ (BAM-tested for oxygen applications, "high-grade in the context of TA-Luft Clean Air Guidelines")
- FPM (Viton™)
- Kalrez 6375™
- Gylon 3504™ (BAM-tested for oxygen applications, "high-grade in the context of TA-Luft clean air guidelines")

Order code for "Sensor version; DSC sensor; measuring tube", option DA, DB

Copper

### Housing support

Stainless steel, 1.4408 (CF3M)

### Screws for DSC sensor

- Order code for "Sensor version", option AA, BA, CA, DA, DB  
Stainless steel, A2-80 according to ISO 3506-1 (304)
- Order code for "Additional approval", option LL "AD 2000 (including option JA+JB+JK) > DN25 including option LK"  
Stainless steel, A4-80 according to ISO 3506-1 (316)
- Order code for "Sensor version", option AB, AC, BB, CB, CC  
Stainless steel, 1.4980 according to EN 10269 (Gr. 660 B)

4) Only with order code for "Sensor version; DSC sensor; measuring tube", option DA available.

### Accessories

#### Protective cover

Stainless steel, 1.4404 (316L)

#### Flow conditioner

- Stainless steel, multiple certifications, 1.4404 (316, 316L)
- Compliant with:
  - NACE MRO175-2003
  - NACE MRO103-2003

---

### Flange connections

Flange connection dimensions and raised face in accordance with:

- DIN EN 1092-1
- ASME B16.5
- JIS B2220



For information on the different materials used in the flange connections → 82

## Operability

---

### Operating concept

#### Operator-oriented menu structure for user-specific tasks

- Commissioning
- Operation
- Diagnostics
- Expert level

#### Quick and safe commissioning

- Guided menus ("Make-it-run" wizards) for applications
- Menu guidance with brief explanations of the individual parameter functions

#### Reliable operation

- Operation in the following languages:
  - Via local display:
    - English, German, French, Spanish, Italian, Dutch, Portuguese, Polish, Russian, Swedish, Turkish, Chinese, Japanese, Korean, Bahasa (Indonesian), Vietnamese, Czech
  - Via "FieldCare" operating tool:
    - English, German, French, Spanish, Italian, Chinese, Japanese
- Uniform operating philosophy applied to device and operating tools
- If replacing the electronic module, transfer the device configuration via the integrated memory (integrated HistoROM) which contains the process and measuring device data and the event logbook. No need to reconfigure.

#### Efficient diagnostics increase measurement availability

- Troubleshooting measures can be called up via the device and in the operating tools
- Diverse simulation options, logbook for events that occur and optional line recorder functions

---

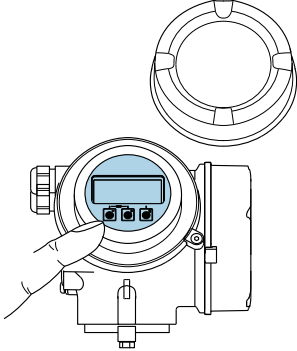
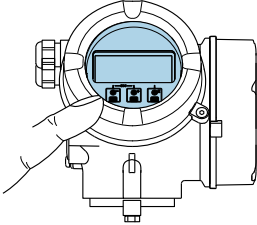
### Languages

Can be operated in the following languages:

- Via local display:
  - English, German, French, Spanish, Italian, Dutch, Portuguese, Polish, Russian, Swedish, Turkish, Chinese, Japanese, Korean, Bahasa (Indonesian), Vietnamese, Czech
- Via "FieldCare" operating tool:
  - English, German, French, Spanish, Italian, Chinese, Japanese

**Local operation****Via display module**

Two display modules are available:

Order code for "Display; Operation", option C "SD02"	Order code for "Display; Operation", option E "SD03"
	
1 Operation with pushbuttons	1 Operation with touch control

*Display elements*

- 4-line, illuminated, graphic display
- White background lighting; switches to red in event of device errors
- Format for displaying measured variables and status variables can be individually configured
- Permitted ambient temperature for the display:  $-20$  to  $+60$  °C ( $-4$  to  $+140$  °F)  
The readability of the display may be impaired at temperatures outside the temperature range.


*Operating elements*

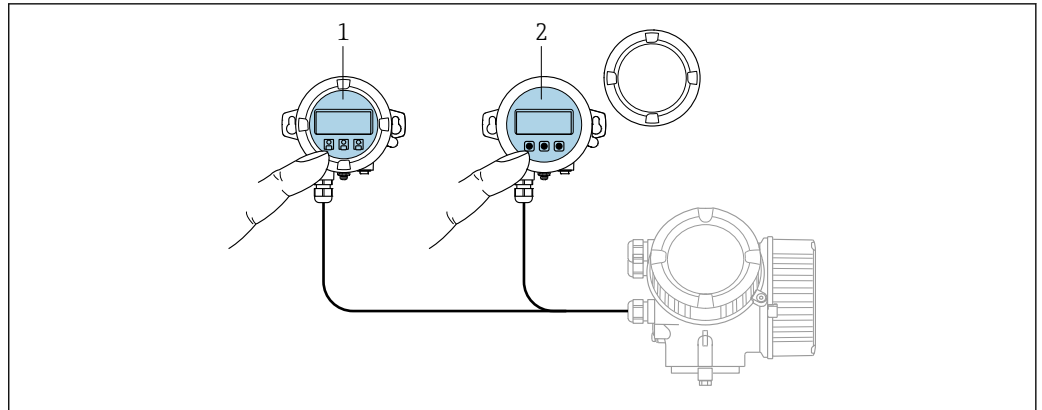
- Operation with 3 push buttons with open housing:  $\oplus$ ,  $\ominus$ ,  $\boxplus$   
or
- External operation via touch control (3 optical keys) without opening the housing:  $\oplus$ ,  $\ominus$ ,  $\boxplus$
- Operating elements also accessible in the various zones of the hazardous area

*Additional functionality*

- Data backup function  
The device configuration can be saved in the display module.
- Data comparison function  
The device configuration saved in the display module can be compared to the current device configuration.
- Data transfer function  
The transmitter configuration can be transmitted to another device using the display module.

**Via remote display FHX50**

-  The remote display FHX50 can be ordered as an optional extra → 93.
- The remote display FHX50 cannot be combined with the order code for "Sensor version; DSC sensor; measuring tube", option DA "mass steam" or option DB "mass gas/liquid".



A0032215

29 FHX50 operating options

- 1 SD02 display and operating module, push buttons: cover must be opened for operation
- 2 SD03 display and operating module, optical buttons: operation possible through cover glass

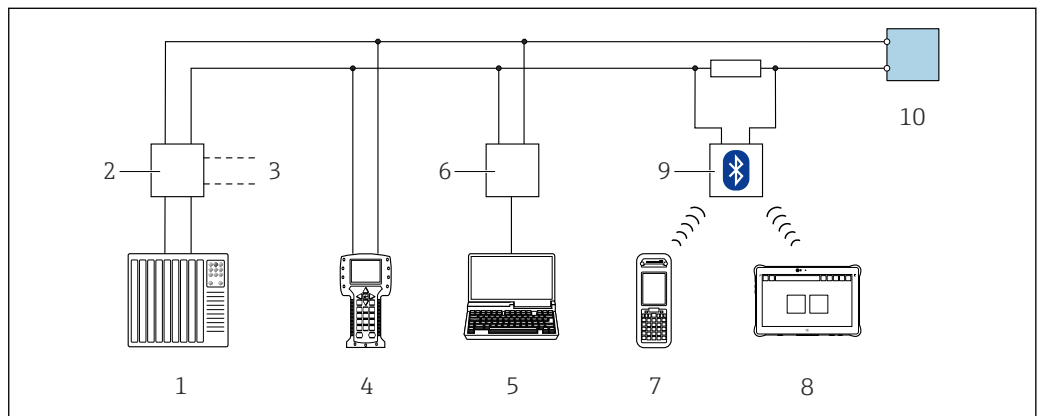
Display and operating elements

The display and operating elements correspond to those of the display module .

Remote operation

Via HART protocol

This communication interface is available in device versions with a HART output.



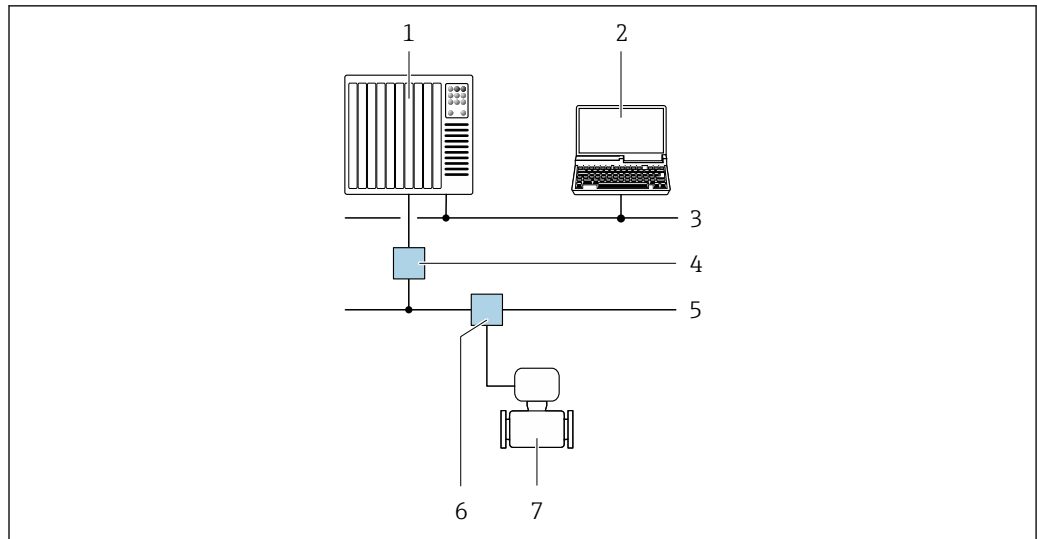
A0028746

30 Options for remote operation via HART protocol (passive)

- 1 Control system (e.g. PLC)
- 2 Transmitter power supply unit, e.g. RN221N (with communication resistor)
- 3 Connection for Commubox FXA195 and Field Communicator 475
- 4 Field Communicator 475
- 5 Computer with web browser (e.g. Internet Explorer) for accessing computers with operating tool (e.g. FieldCare, DeviceCare, AMS Device Manager, SIMATIC PDM) with COM DTM "CDI Communication TCP/IP"
- 6 Commubox FXA195 (USB)
- 7 Field Xpert SFX350 or SFX370
- 8 VIATOR Bluetooth modem with connecting cable
- 9 Transmitter

Via PROFIBUS PA network

This communication interface is available in device versions with PROFIBUS PA.



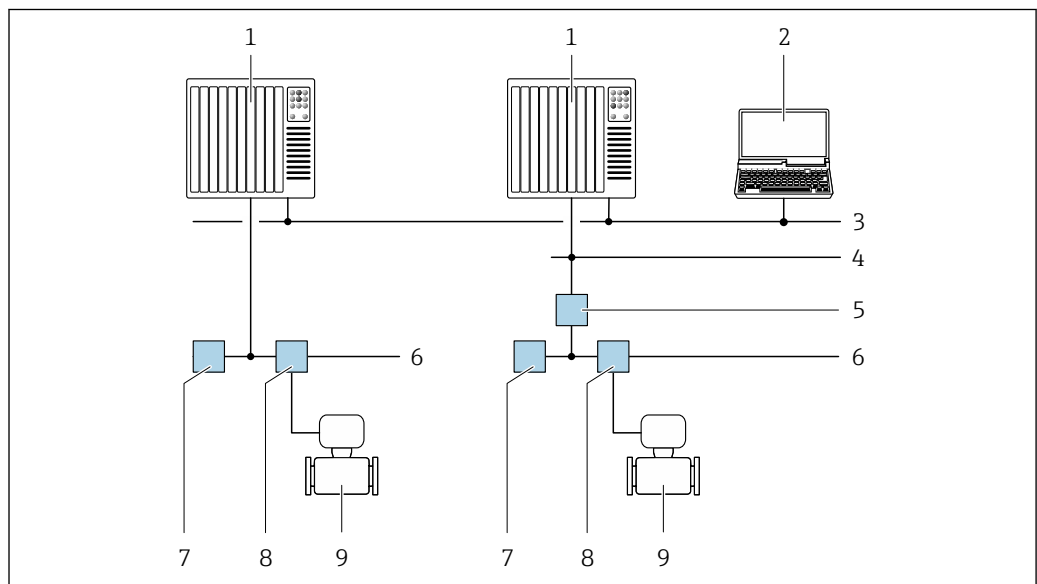
A0028838

31 Options for remote operation via PROFIBUS PA network

- 1 Automation system
- 2 Computer with PROFIBUS network card
- 3 PROFIBUS DP network
- 4 Segment coupler PROFIBUS DP/PA
- 5 PROFIBUS PA network
- 6 T-box
- 7 Measuring device

### Via FOUNDATION Fieldbus network

This communication interface is available in device versions with FOUNDATION Fieldbus.



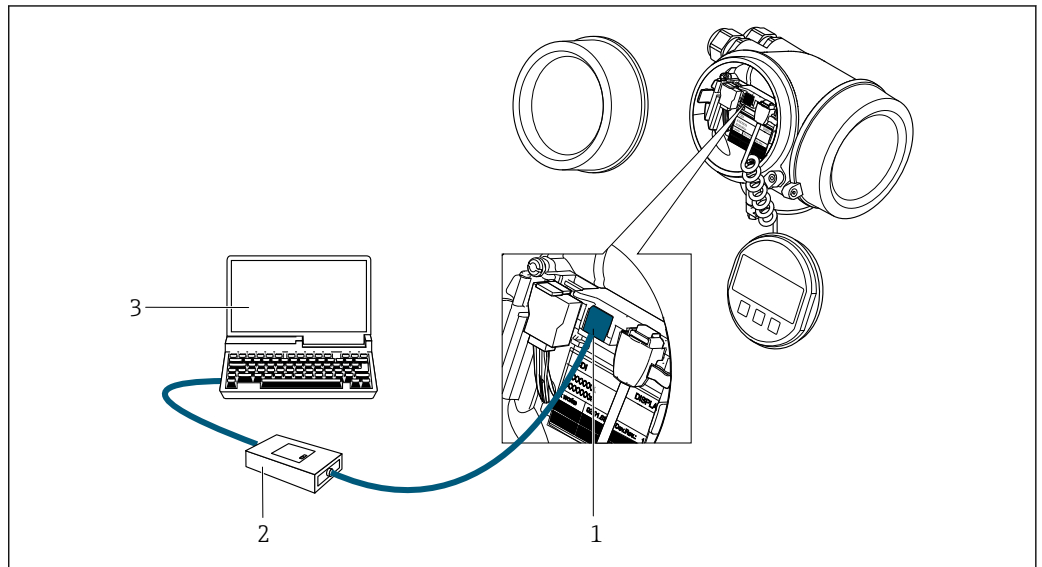
A0028837

32 Options for remote operation via FOUNDATION Fieldbus network

- 1 Automation system
- 2 Computer with FOUNDATION Fieldbus network card
- 3 Industry network
- 4 High Speed Ethernet FF-HSE network
- 5 Segment coupler FF-HSE/FF-H1
- 6 FOUNDATION Fieldbus FF-H1 network
- 7 Power supply FF-H1 network
- 8 T-box
- 9 Measuring device

Service interface

Via service interface (CDI)



- 1 Service interface (CDI = Endress+Hauser Common Data Interface) of the measuring device
- 2 Commubox FXA291
- 3 Computer with FieldCare operating tool with COM DTM CDI Communication FXA291

A0034056

## Certificates and approvals

 Currently available certificates and approvals can be called up via the product configurator.

**CE mark**

The device meets the legal requirements of the applicable EU Directives. These are listed in the corresponding EU Declaration of Conformity along with the standards applied.


Endress+Hauser confirms successful testing of the device by affixing to it the CE mark.

**RCM-tick symbol**

The measuring system meets the EMC requirements of the "Australian Communications and Media Authority (ACMA)".

**Ex approval**

The measuring device is certified for use in hazardous areas and the relevant safety instructions are provided in the separate "Safety Instructions" (XA) document. Reference is made to this document on the nameplate.

 The separate Ex documentation (XA) containing all the relevant explosion protection data is available from your Endress+Hauser sales center.

**ATEX, IECEx**

Currently, the following versions for use in hazardous areas are available:

*Ex d*

Category	Type of protection
II2G/Zone 1	Ex d[ia] IIC T6 ... T1
II1/2G/Zone 0/1	Ex d[ia] IIC T6 ... T1

*Ex ia*

Category	Type of protection
II2G/Zone 1	Ex ia IIC T6 ... T1
II1G/Zone 0	Ex ia IIC T6 ... T1
II1/2G/Zone 0/1	Ex ia IIC T6 ... T1

*Ex ic*

Category	Type of protection
II3G/Zone 2	Ex ic IIC T6 ... T1
II1/3G/Zone 0/2	Ex ic ia  IIC T6 ... T1

*Ex Ec*

Category	Type of protection
II3G/Zone 2	Ex ec IIC T6 ... T1

*Ex tb*

Category	Type of protection
II2D/Zone 21	Ex tb IIIC Txxx

**cCSAus**

Currently, the following versions for use in hazardous areas are available:

*XP*

Category	Type of protection
Class I, II, III, Division 1 for Group A-G	XP (Ex d Flameproof version)

*IS*

Category	Type of protection
Class I, II, III, Division 1 for Group A-G	IS (Ex i Intrinsically safe version)

*NI*

Category	Type of protection
Class I, Division 2 for Group ABCD	NI (Non-incendive version), NIFW-Parameter*

\*= Entity and NIFW parameters according to control drawings

**NEPSI**

Currently, the following versions for use in hazardous areas are available:

*Ex d*

Category	Type of protection
Zone 1	Ex d ia  IIC T1 ~ T6 Ex d ia Ga  IIC T1 ~ T6
Zone 0/1	Ex d ia  IIC T1 ~ T6 DIP A21 Ex d ia Ga  IIC T1 ~ T6 DIP A21



*Ex ia*

Category	Type of protection
Zone 1	Ex ia IIC T1 ~ T6
Zone 0/1	Ex ia IIC T1 ~ T6 DIP A2.1

*Ex ic*

Category	Type of protection
II3G/Zone 2	Ex ic IIC T1 ~ T6
II1/3G/Zone 0/2	Ex ic ia Ga  IIC T1 ~ T6

*Ex nA*

Category	Type of protection
Zone 2	Ex nA IIC T1 ~ T6 Ex nA ia Ga  IIC T1 ~ T6

**INMETRO**

Currently, the following versions for use in hazardous areas are available:

*Ex d*

Category	Type of protection
-	Ex d ia  IIC T6 ... T1

*Ex ia*

Category	Type of protection
-	Ex ia IIC T6 ... T1

*Ex nA*

Category	Type of protection
II3G/Zone 2	Ex nA IIC T6 ... T1

**EAC**

*Ex d*

Category	Type of protection
Zone 1	1Ex d  ia Ga  IIC T6 ... T1 Gb
	Ga/Gb Ex d  ia Ga  IIC T6 ... T1

*Ex nA*

Category	Type of protection
Zone 2	2Ex nA  ia Ga  IIC T6 ... T1 Gc

**Functional safety**

The measuring device can be used for flow monitoring systems (min., max., range) up to SIL 2 (single-channel architecture; order code for "Additional approval", option LA) and SIL 3 (multichannel architecture with homogeneous redundancy) and is independently evaluated and certified by the TÜV in accordance with IEC 61508.

The following types of monitoring in safety equipment are possible:



Functional Safety Manual with information on the SIL device → 96

---

#### HART certification

#### HART interface

The measuring device is certified and registered by the FieldComm Group. The measuring system meets all the requirements of the following specifications:

- Certified according to HART
- The device can also be operated with certified devices of other manufacturers (interoperability)

---

#### FOUNDATION Fieldbus certification

#### FOUNDATION Fieldbus interface

The measuring device is certified and registered by the FieldComm Group. The measuring system meets all the requirements of the following specifications:

- Certified in accordance with FOUNDATION Fieldbus H1
- Interoperability Test Kit (ITK), revision version 6.2.0 (certificate available on request)
- Physical Layer Conformance Test
- The device can also be operated with certified devices of other manufacturers (interoperability)

---

#### Certification PROFIBUS

#### PROFIBUS interface

The measuring device is certified and registered by the PNO (PROFIBUS User Organization Organization). The measuring system meets all the requirements of the following specifications:

- Certified in accordance with PROFIBUS PA Profile 3.02
- The device can also be operated with certified devices of other manufacturers (interoperability)

---

#### Pressure Equipment Directive

The devices can be ordered with or without a PED approval. If a device with a PED approval is required, this must be explicitly stated in the order.

- With the identification PED/G1/x (x = category) on the sensor nameplate, Endress+Hauser confirms conformity with the "Essential Safety Requirements" specified in Appendix I of the Pressure Equipment Directive 2014/68/EU.
- Devices bearing this marking (PED) are suitable for the following types of medium: Media in Group 1 and 2 with a vapor pressure greater than, or smaller and equal to 0.5 bar (7.3 psi)
- Devices not bearing this marking (PED) are designed and manufactured according to good engineering practice. They meet the requirements of Article 4 paragraph 3 of the Pressure Equipment Directive 2014/68/EU. The range of application is indicated in tables 6 to 9 in Annex II of the Pressure Equipment Directive 2014/68/EU.

---

#### Experience

The Prowirl 200 measuring system is the official successor to Prowirl 72 and Prowirl 73.

---

#### Other standards and guidelines

- EN 60529  
Degrees of protection provided by enclosures (IP code)
- DIN ISO 13359  
Measurement of conductive liquid flow in closed conduits - Flanged-type electromagnetic flowmeters - Overall length
- EN 61010-1  
Safety requirements for electrical equipment for measurement, control and laboratory use - general requirements
- IEC/EN 61326  
Emission in accordance with Class A requirements. Electromagnetic compatibility (EMC requirements).
- NAMUR NE 21  
Electromagnetic compatibility (EMC) of industrial process and laboratory control equipment
- NAMUR NE 32  
Data retention in the event of a power failure in field and control instruments with microprocessors
- NAMUR NE 43  
Standardization of the signal level for the breakdown information of digital transmitters with analog output signal.
- NAMUR NE 53  
Software of field devices and signal-processing devices with digital electronics

- NAMUR NE 105  
Specifications for integrating fieldbus devices in engineering tools for field devices
- NAMUR NE 107  
Self-monitoring and diagnosis of field devices
- NAMUR NE 131  
Requirements for field devices for standard applications

## Ordering information

Detailed ordering information is available as follows:

- In the Product Configurator on the Endress+Hauser website: [www.endress.com](http://www.endress.com) -> Click "Corporate" -> Select your country -> Click "Products" -> Select the product using the filters and search field -> Open product page -> The "Configure" button to the right of the product image opens the Product Configurator.
- From your Endress+Hauser Sales Center: [www.addresses.endress.com](http://www.addresses.endress.com)



### Product Configurator - the tool for individual product configuration

- Up-to-the-minute configuration data
- Depending on the device: Direct input of measuring point-specific information such as measuring range or operating language
- Automatic verification of exclusion criteria
- Automatic creation of the order code and its breakdown in PDF or Excel output format
- Ability to order directly in the Endress+Hauser Online Shop

### Product generation index

Release date	Product root	On change
01.09.2013	7F2B	TI01084D
01.11.2017	7F2C	TI01333D



More information is available from your Sales Center or at:

[www.service.endress.com](http://www.service.endress.com) → Downloads

## Application packages

Many different application packages are available to enhance the functionality of the device. Such packages might be needed to address safety aspects or specific application requirements.

The application packages can be ordered with the device or subsequently from Endress+Hauser. Detailed information on the order code in question is available from your local Endress+Hauser sales center or on the product page of the Endress+Hauser website: [www.endress.com](http://www.endress.com).



Detailed information on the application packages:  
Special Documentation for the device

### Diagnostics functions

Package	Description
Extended HistoROM	<p>Comprises extended functions concerning the event log and the activation of the measured value memory.</p> <p>Event log: Memory volume is extended from 20 message entries (standard version) to up to 100 entries.</p> <p>Data logging (line recorder):</p> <ul style="list-style-type: none"> <li>■ Memory capacity for up to 1000 measured values is activated.</li> <li>■ 250 measured values can be output via each of the 4 memory channels. The recording interval can be defined and configured by the user.</li> <li>■ Measured value logs can be accessed via the local display or operating tool e.g. FieldCare, DeviceCare or Web server.</li> </ul>

**Heartbeat Technology**

Package	Description
Heartbeat Verification	<p><b>Heartbeat Verification</b></p> <p>Meets the requirement for traceable verification to DIN ISO 9001:2008 Chapter 7.6 a) "Control of monitoring and measuring equipment".</p> <ul style="list-style-type: none"> <li>■ Functional testing in the installed state without interrupting the process.</li> <li>■ Traceable verification results on request, including a report.</li> <li>■ Simple testing process via local operation or other operating interfaces.</li> <li>■ Clear measuring point assessment (pass/fail) with high test coverage within the framework of manufacturer specifications.</li> <li>■ Extension of calibration intervals according to operator's risk assessment.</li> </ul>

**Wet steam detection**

Package	Description
Wet steam detection	<p>Wet steam detection provides a qualitative parameter for monitoring the steam application. It is an additional indicator for checking steam quality. A warning is displayed as soon as the steam quality drops below <math>x = 0.80</math> (80%).</p> <ul style="list-style-type: none"> <li>■ Additional quality parameter for ensuring a safe and efficient steam process</li> <li>■ Additional indicator to monitor the operation of steam traps</li> </ul>

**Wet steam measurement**







Package	Description
Wet steam measurement	<p>Innovative measurement of the steam quality and degree of overheating. The wet steam detection application package extends wet steam measurement to include the continuous display of the steam quality. The steam quality is used to calculate the correct volume flow and mass flow and can be assigned to outputs. The condensate amount can be displayed. By evaluating the data, deviations in the process can be quickly detected.</p> <ul style="list-style-type: none"> <li>■ As the warning values can be freely defined, users have optimum control of the steam process.</li> <li>■ Additional quality parameter for ensuring a safe and efficient steam process.</li> <li>■ Additional indicator to monitor the operation of steam traps.</li> <li>■ Combined with active pressure compensation, the device guarantees correct steam measurement.</li> <li>■ Automatic calculation of the steam state and correct measurement of the steam amount.</li> <li>■ Automatic navigation through the steam areas (wet steam, saturated steam and superheated steam).</li> </ul>



## Accessories

Various accessories, which can be ordered with the device or subsequently from Endress+Hauser, are available for the device. Detailed information on the order code in question is available from your local Endress+Hauser sales center or on the product page of the Endress+Hauser website:

[www.endress.com](http://www.endress.com).

Device-specific accessories For the transmitter








Accessories	Description
Prowirl 200 transmitter	<p>Transmitter for replacement or storage. Use the order code to define the following specifications:</p> <ul style="list-style-type: none"> <li>▪ Approvals</li> <li>▪ Output, Input</li> <li>▪ Display/operation</li> <li>▪ Housing</li> <li>▪ Software</li> </ul> <p> Installation Instructions EA01056D</p> <p> (Order number: 7X2CXX)</p>
Remote display FHX50	<p>FHX50 housing for accommodating a display module .</p> <ul style="list-style-type: none"> <li>▪ FHX50 housing suitable for: <ul style="list-style-type: none"> <li>▪ SD02 display module (push buttons)</li> <li>▪ SD03 display module (touch control)</li> </ul> </li> <li>▪ Length of connecting cable: up to max. 60 m (196 ft) (cable lengths available for order: 5 m (16 ft), 10 m (32 ft), 20 m (65 ft), 30 m (98 ft))</li> </ul> <p>The measuring device can be ordered with the FHX50 housing and a display module. The following options must be selected in the separate order codes:</p> <ul style="list-style-type: none"> <li>▪ Order code for measuring device, feature 030: Option L or M "Prepared for FHX50 display"</li> <li>▪ Order code for FHX50 housing, feature 050 (device version): Option A "Prepared for FHX50 display"</li> <li>▪ Order code for FHX50 housing, depends on the desired display module in feature 020 (display, operation): <ul style="list-style-type: none"> <li>▪ Option C: for an SD02 display module (push buttons)</li> <li>▪ Option E: for an SD03 display module (touch control)</li> </ul> </li> </ul> <p>The FHX50 housing can also be ordered as a retrofit kit. The measuring device display module is used in the FHX50 housing. The following options must be selected in the order code for the FHX50 housing:</p> <ul style="list-style-type: none"> <li>▪ Feature 050 (measuring device version): option B "Not prepared for FHX50 display"</li> <li>▪ Feature 020 (display, operation): option A "None, existing displayed used"</li> </ul> <p> The FHX50 remote display cannot be combined with the order code for "Sensor version; DSC sensor; measuring tube":</p> <ul style="list-style-type: none"> <li>▪ option DA "Mass steam; 316L; 316L (integrated pressure/temperature measurement), -200 to +400 °C (-328 to +750 °F)"</li> <li>▪ option DB "Mass gas/liquid; 316L; 316L (integrated pressure/temperature measurement), -40 to +100 °C (-40 to +212 °F)"</li> </ul> <p> Special Documentation SD01007F</p> <p>(Order number: FHX50)</p>
Overvoltage protection for 2-wire devices	<p>Ideally, the overvoltage protection module should be ordered directly with the device. See product structure, feature 610 "Accessory mounted", option NA "Overvoltage protection". Separate order necessary only if retrofitting.</p> <ul style="list-style-type: none"> <li>▪ OVP10: For 1-channel devices (feature 020, option A):</li> <li>▪ OVP20: For 2-channel devices (feature 020, options B, C, E or G)</li> </ul> <p> Special Documentation SD01090F</p> <p>(Order number OVP10: 71128617) (Order number OVP20: 71128619)</p>
Protective cover	<p>Is used to protect the measuring device from the effects of the weather: e.g. rainwater, excess heating from direct sunlight or extreme cold in winter.</p> <p> Special Documentation SD00333F</p> <p>(Order number: 71162242)</p>

Accessories	Description
Connecting cable for remote version	<ul style="list-style-type: none"> <li>▪ Connecting cable available in various lengths: <ul style="list-style-type: none"> <li>▪ 5 m (16 ft)</li> <li>▪ 10 m (32 ft)</li> <li>▪ 20 m (65 ft)</li> <li>▪ 30 m (98 ft)</li> </ul> </li> <li>▪ Reinforced cables available on request.</li> </ul> <p> Standard length: 5 m (16 ft) Is always supplied if no other cable length has been ordered.</p>
Post mounting kit	<p>Post mounting kit for transmitter.</p> <p> The post mounting kit can only be ordered together with a transmitter.</p> <p>(Order number: DK8WM-B)</p>



#### For the sensor

Accessories	Description
Flow conditioner	<p>Is used to shorten the necessary inlet run.</p> <p>(Order number: DK7ST)</p>




#### Communication-specific accessories

Accessories	Description
Commubox FXA195 HART	<p>For intrinsically safe HART communication with FieldCare via the USB interface.</p> <p> Technical Information TI00404F</p>
Commubox FXA291	<p>Connects Endress+Hauser field devices with a CDI interface (= Endress+Hauser Common Data Interface) and the USB port of a computer or laptop.</p> <p> Technical Information TI405C/07</p>
HART Loop Converter HMX50	<p>Is used to evaluate and convert dynamic HART process variables to analog current signals or limit values.</p> <ul style="list-style-type: none"> <li>▪ Technical Information TI00429F</li> <li>▪ Operating Instructions BA00371F</li> </ul>
Wireless HART adapter SWA70	<p>Is used for the wireless connection of field devices.</p> <p>The WirelessHART adapter can be easily integrated into field devices and existing infrastructures, offers data protection and transmission safety and can be operated in parallel with other wireless networks with minimum cabling complexity.</p> <p> Operating Instructions BA00061S</p>
Fieldgate FXA320	<p>Gateway for the remote monitoring of connected 4-20 mA measuring devices via a Web browser.</p> <p> Technical Information TI00025S Operating Instructions BA00053S</p>
Fieldgate FXA520	<p>Gateway for the remote diagnostics and remote configuration of connected HART measuring devices via a Web browser.</p> <p> Technical Information TI00025S Operating Instructions BA00051S</p>
Field Xpert SFX350	<p>Field Xpert SFX350 is a mobile computer for commissioning and maintenance. It enables efficient device configuration and diagnostics for HART and FOUNDATION Fieldbus devices and can be used in non-hazardous areas.</p> <p> Operating Instructions BA01202S</p>
Field Xpert SFX370	<p>Field Xpert SFX370 is a mobile computer for commissioning and maintenance. It enables efficient device configuration and diagnostics for HART and FOUNDATION Fieldbus devices and can be used in the non-hazardous area and in the hazardous area.</p> <p> Operating Instructions BA01202S</p>


Service-specific accessories

Accessories	Description
Applicator	<p>Software for selecting and sizing Endress+Hauser measuring devices:</p> <ul style="list-style-type: none"> <li>Choice of measuring devices for industrial requirements</li> <li>Calculation of all the necessary data for identifying the optimum flowmeter: e.g. nominal diameter, pressure loss, flow velocity and accuracy.</li> <li>Graphic illustration of the calculation results</li> <li>Determination of the partial order code, administration, documentation and access to all project-related data and parameters over the entire life cycle of a project.</li> </ul> <p>Applicator is available:</p> <ul style="list-style-type: none"> <li>Via the Internet: <a href="https://portal.endress.com/webapp/applicator">https://portal.endress.com/webapp/applicator</a></li> <li>As a downloadable DVD for local PC installation.</li> </ul>
W@M	<p>W@M Life Cycle Management</p> <p>Improved productivity with information at your fingertips. Data relevant to a plant and its components is generated from the first stages of planning and during the asset's complete life cycle.</p> <p>W@M Life Cycle Management is an open and flexible information platform with online and on-site tools. Instant access for your staff to current, in-depth data shortens your plant's engineering time, speeds up procurement processes and increases plant uptime.</p> <p>Combined with the right services, W@M Life Cycle Management boosts productivity in every phase. For more information, visit <a href="http://www.endress.com/lifecyclemanagement">www.endress.com/lifecyclemanagement</a></p>
FieldCare	<p>FDT-based plant asset management tool from Endress+Hauser. It can configure all smart field units in your system and helps you manage them. By using the status information, it is also a simple but effective way of checking their status and condition.</p> <p> Operating Instructions BA00027S and BA00059S</p>
DeviceCare	<p>Tool to connect and configure Endress+Hauser field devices.</p> <p> Innovation brochure IN01047S</p>

System components

Accessories	Description
Memograph M graphic data manager	<p>The Memograph M graphic data manager provides information on all the relevant measured variables. Measured values are recorded correctly, limit values are monitored and measuring points analyzed. The data are stored in the 256 MB internal memory and also on a SD card or USB stick.</p> <p> <ul style="list-style-type: none"> <li>Technical Information TI00133R</li> <li>Operating Instructions BA00247R</li> </ul> </p>
RN221N	<p>Active barrier with power supply for safe separation of 4-20 mA standard signal circuits. Offers bidirectional HART transmission.</p> <p> <ul style="list-style-type: none"> <li>Technical Information TI00073R</li> <li>Operating Instructions BA00202R</li> </ul> </p>
RNS221	<p>Supply unit for powering two 2-wire measuring devices solely in the non-hazardous area. Bidirectional communication is possible via the HART communication jacks.</p> <p> <ul style="list-style-type: none"> <li>Technical Information TI00081R</li> <li>Brief Operating Instructions KA00110R</li> </ul> </p>

## Supplementary documentation

-  For an overview of the scope of the associated Technical Documentation, refer to the following:
- W@M Device Viewer ([www.endress.com/deviceviewer](http://www.endress.com/deviceviewer)): Enter the serial number from nameplate
  - Endress+Hauser Operations App: Enter the serial number from the nameplate or scan the 2D matrix code (QR code) on the nameplate

## Standard documentation

## Brief Operating Instructions

*Brief Operating Instructions for the sensor*

Measuring device	Documentation code
Prowirl F 200	KA01323D

*Brief Operating Instructions for transmitter*

Measuring device	Documentation code		
	HART	FOUNDATION Fieldbus	PROFIBUS PA
Proline 200	KA01326D	KA01327D	KA01328D

## Operating Instructions

Measuring device	Documentation code		
	HART	FOUNDATION Fieldbus	PROFIBUS PA
Prowirl F 200	BA01686D	BA01694D	BA01690D

## Description of Device Parameters

Measuring device	Documentation code		
	HART	FOUNDATION Fieldbus	PROFIBUS PA
Prowirl 200	GP01109D	GP01111D	GP01110D

Supplementary device-  
dependent documentation

## Safety instructions

Content	Documentation code
ATEX/IECEX Ex d, Ex tb	XA01635D
ATEX/IECEX Ex ia, Ex tb	XA01636D
ATEX/IECEX Ex ic, Ex ec	XA01637D
cCSA <sub>US</sub> XP	XA01638D
cCSA <sub>US</sub> IS	XA01639D
NEPSI Ex d	XA01643D
NEPSI Ex i	XA01644D
NEPSI Ex ic, Ex nA	XA01645D
INMETRO Ex d	XA01642D
INMETRO Ex i	XA01640D
INMETRO Ex nA	XA01641D
EAC Ex d	XA01684D
EAC Ex nA	XA01685D
JPN Ex d	XA01766D

## Special documentation

Contents	Documentation code
Information on the Pressure Equipment Directive	SD01614D
Functional Safety Manual	SD02025D



Contents	Documentation code		
	HART	FOUNDATION Fieldbus	PROFIBUS PA
Heartbeat Technology	SD02029D	SD02030D	SD02031D
Wet steam detection	SD02032D	SD02033D	SD02034D
Wet steam measurement	SD02035D	SD02036D	SD02037D

### Installation Instructions

Content	Comment
Installation instructions for spare part sets and accessories	Documentation code: specified for each individual accessory → 93.

## Registered trademarks

### HART®

Registered trademark of the FieldComm Group, Austin, Texas, USA

### PROFIBUS®

Registered trademark of the PROFIBUS User Organization, Karlsruhe, Germany

### FOUNDATION™ Fieldbus

Registration-pending trademark of the FieldComm Group, Austin, Texas, USA

### KALREZ®, VITON®

Registered trademarks of DuPont Performance Elastomers L.L.C., Wilmington, DE USA

### GYLON®

Registered trademark of Garlock Sealing Technologies, Palmyra, NY, USA

[www.addresses.endress.com](http://www.addresses.endress.com)

---