

EE10-T / EE10-P

Room Temperature Transmitters and Sensors

EE10 is the ideal solution for room temperature measurement in residential and commercial HVAC applications. The very stylish, snap-on enclosure allows for easy installation and replacement of the sensing unit for service purposes.

The EE10 transmitters supply a 0-10 V or 4-20 mA output, while the EE10 sensors have passive temperature output. An optional LCD display is available for the EE10 transmitters.

Two different enclosure designs ensure professional appearance according to regional standards.



Typical Applications

Residential and commercial building automation
 Switching cabinets
 Indoor climate control

Features

Excellent price / performance ratio
 Easiest installation
 Modern design

Technical Data

Measuring Quantities

Temperature (active output)

Analogue output 0...50 °C (32...122 °F) ¹⁾	0-10 V	-1 mA < I _L < 1mA
	4-20 mA (two wires)	R _L < (U _V -10)/0.02 < 500 Ohm

Accuracy at 20 °C (68 °F)	±0.3 °C (±0.54 °F)
---------------------------	--------------------

Temperature (passive output)

Type of T-Sensor	please see ordering guide
------------------	---------------------------

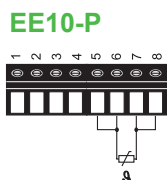
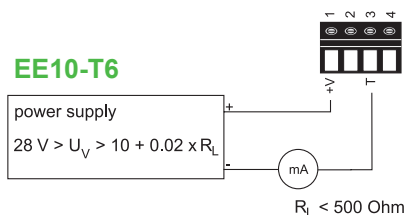
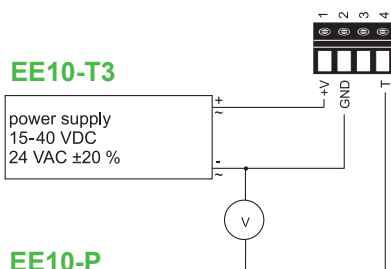
General Data

Voltage supply (U _V)	for 0-10 V	15-40 V DC or 24 V AC ±20 %
	for 4-20 mA	28 V DC > U _V > 10 + 0.02 x R _L (R _L < 500 Ohm)
Current consumption	for DC supply:	typical 4 mA
	for AC supply:	typical 15 mA _{eff}
Electrical connection	Screw terminals max. 1.5 mm ² (AWG 16)	
Housing material	Polycarbonat	
Protection class	US Version: UL94V-0 approved / EU Version: UL94HB approved	
Display	only for EE10-Tx version: temperature	
CE compatibility according	EN61326-1	FCC Part15 ClassB
	EN61326-2-3	ICES-003 ClassB
Temperature ranges	Working temperature range:	-5...55 °C (23...131 °F)
	Storage temperature range:	-25...60 °C (-13...140 °F)

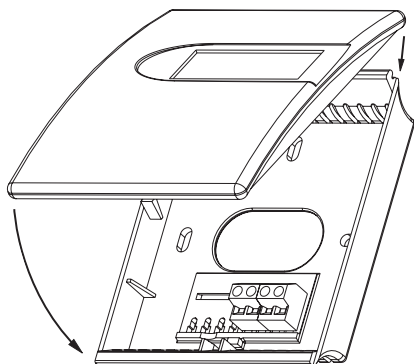


1) other scalings see datasheet „Scaling of the outputs“

Connection Diagram



Dimensions



Housing colour:

Standard: (EU & US)

Front cover:	Signal white	RAL 9003
Back cover:	Light grey	RAL 7035

Optional (only EU):

Front and back cover	Grey	(Anthracite grey RAL 7016)
	Silver	(White aluminum RAL 9006)

EU:	W x H x D = 85 x 100 x 26mm	(3.3 x 3.9 x 1")
US:	W x H x D = 85 x 136 x 26mm	(3.3 x 5.4 x 1")

Ordering Guide

MODEL	OUTPUT	T-SENSOR PASSIVE ¹⁾	DISPLAY	HOUSING DESIGN & COLOUR	T-UNIT	T-SCALE ²⁾
temperature (T) active	0 - 10 V (3) 4 - 20 mA (6)		without display (--)	EU-Standard (RAL9003/RAL7035) (--)	°C (--)	0...50 (T04)
			with display (D04)	EU-Grey (RAL7016) (G)	°F (E01)	-5...55 (T31)
			EU-Silver (RAL9006) (S)		0...40 (T55)	
			US (RAL9003/RAL7035) (US)		20...120 (T15) 32...132 (T96)	
temperature (P) passive		Pt100 DIN A (A)		EU-Standard (RAL9003/RAL7035) (--)		
		Pt1000 DIN A (C)		EU-Grey (RAL7016) (G)		
		Pt1000 DIN B (D)		EU-Silver (RAL9006) (S)		
		NTC10k (E)		US (RAL9003/RAL7035) (US)		
		Ni1000 TK6180 DIN B (J)				
		Ni1000 TK5000 DIN B (T)				
EE10-						

1) T-Sensor details see www.epluse.com/R-T_Characteristics

2) other scalings see datasheet „Scaling of the outputs“

Order Example

Active Output

EE10-T6D04/T04

Model:	Temperature active
Output:	4-20 mA
Display:	with display
Housing design & colour:	EU-Standard RAL9003/RAL7035
T-Unit:	°C
T-Scale:	0...50 (32...122 °F)

Passive Output

EE10-PCUS

Model:	Temperature passive
T-Sensor passive:	Pt1000 DIN A
Display:	without display
Housing design & colour:	RAL9003/RAL7035 Standard

Scope of supply

- EE10 transmitter or sensor according ordering guide
- Mounting material
- Test report according DIN EN10204 - 2.2 (for EE10-T)