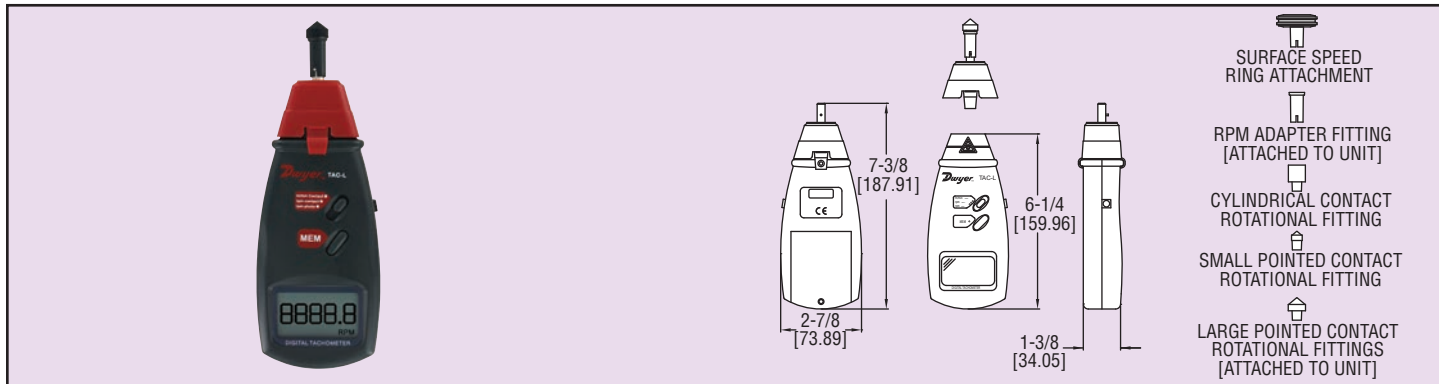




Model  
TAC-L

# Portable Digital Tachometer

Contact or Photo Non-Contact Operation, Backlit LCD



**Model TAC-L Portable Digital Tachometer** measures rotational speed either by contacting a rotatable head to the shaft of the object, or using photo sensor to detect the reflections from the laser. The laser target can record from a distance of up to 20 inches and gives a more accurate measurement than LED targeting. Model TAC-L includes a large LCD with a backlight for use in dark areas. This tachometer is made of a strong, lightweight ABS plastic housing, which is designed to comfortably fit in the hand of the user. Supplied with this model are 3 contact rotational heads, a contact surface wheel, and a protective carrying case.

**Model TAC-L, Contact/Non-Contact Digital Tachometer**

#### ACCESSORY

**TAC-5**, Reflective tape, 5' (1.5 m) roll, 1/2" (13 mm) wide

#### SPECIFICATIONS:

**Accuracy:**  $\pm(0.05\% + 1 \text{ digit})$ .

**Display:** Backlit LCD; 5 digits, 7 segments, 0.7" (1.8 cm) H.

**Range:** Non-contact (RPM): 2.5 to 99,999 RPM; Contact (RPM): 0.5 to 19,999 RPM; Surface Speed (m/min): 0.05 to 1999.9 m/min.

**Resolution:** Non-contact (RPM): 0.1 RPM (2.5 to 999.9 RPM), 1 RPM (1000 to 99,999 RPM); Contact (RPM): 0.1 RPM (0.5 to 999.9 RPM), 1 RPM (1000 to 19,999 RPM); Surface Speed (m/min): 0.01 m/min (0.05 to 99.99 m/min), 0.1 m/min (100.0 to 1999.9 m/min).

**Non-contact Measuring Distance Range:** 2 to 20" (5 to 50 cm).

**Sampling Time:** 0.8 s.

**Temperature Limits:** 32 to 122°F (0 to 50°C).

**Power Requirements:** (4) 1.5 V AA alkaline batteries, included, user replaceable.

**Weight:** 1.37 lb (.620 kg).

**Agency Approvals:** CE, RoHS.