

Dwyer

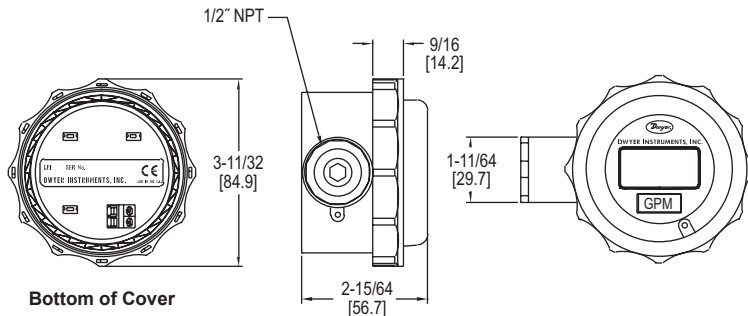
MODEL LPI

LOOP POWERED PROCESS INDICATORS

Square Root Function and User Defined Curves 4-Digit LED

CE

PROCESS CONTROL



The **MODEL LPI** Micro-Pressure Based Loop Powered Indicator accepts a 4-20 mA input signal and displays the associated process variable such as pressure, level, flow, temperature, or relative humidity. The indicator is housed in a NEMA 4X (IP66) polycarbonate enclosure with a 1/2" female NPT side port. Users can quickly modify the instrument configuration via three push buttons on the front of the unit.

FEATURES/BENEFITS

- NEMA 4X (IP66) enclosure for outdoor applications
- Programmable input/output scaling, engineering units, offset, decimal point position, and password protection
- Bright red four-digit LED

APPLICATIONS

- Displays process values from various transmitters

SPECIFICATIONS @ 68°F (20°C)

Input: 4 to 20 mA.
Maximum Input Current: 100 mA for 1 minute.
Accuracy: $\pm 0.02\%$ FS.
Stability: Zero: 0.002%/°C; Span: 100 ppm/°C.
Power Requirements: 2-wire 4 to 20 mA loop powered.
Display: 4-digit, 7.6 mm (high) red LED.
Maximum Display Range: -1999 to 9999.
Ambient Operating Temperature: -4 to 167°F (-20 to 75°C).
Storage Temperatures: -58 to 185°F (-50 to 85°C).
Weight: 6.0 oz (170 g).
Front Panel Protection: NEMA 4X (IP66).
Agency Approvals: CE.

MODEL CHART

Model	Description
LPI-111	Loop powered indicator with plastic enclosure