

# Large Digital Display Panel Meter Series: DDL



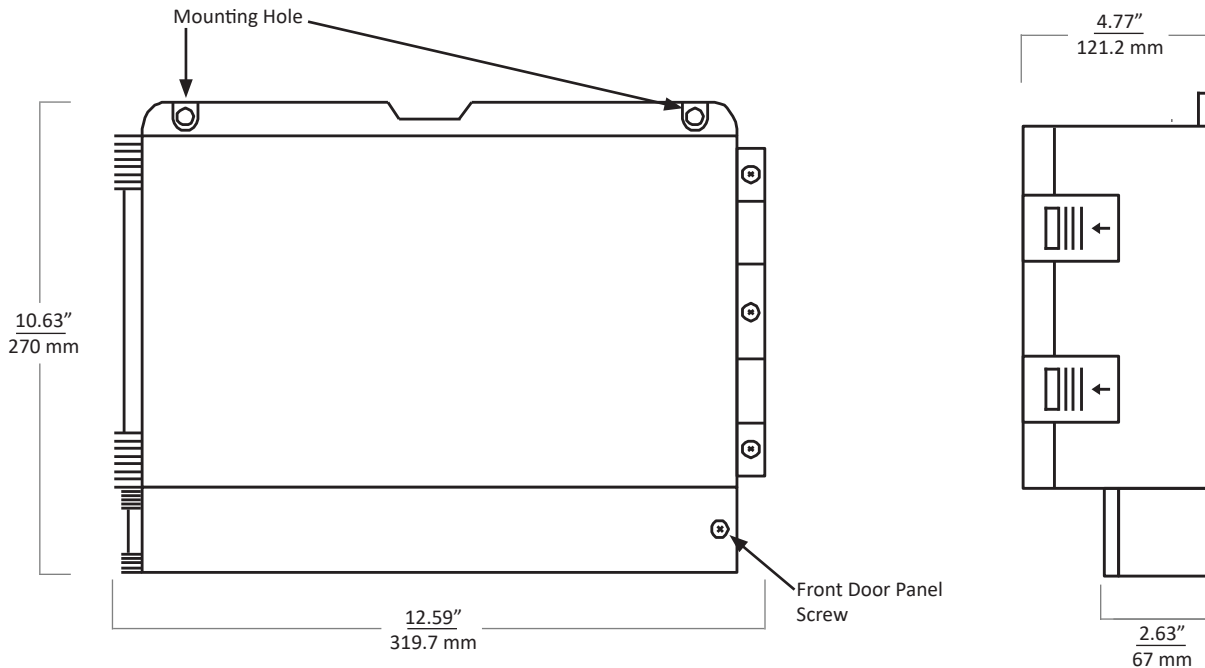
The Series DDL Large Digital Display is an analog-input panel meter with 2.80" digits, and multiple output and display options. With two configurable, six-character lines and four LED alarm indicators, the DDL makes a lot of information easily visible from long distance. The DDL is easily programmed with the four buttons below the display or through a USB connection to a PC.

## Features

- 2-line, 6-character display
- Environmentally sealed face; NEMA 4X / IP65
- Easy 4-button programming
- Current Inputs: 4-20 or 0-20 mA
- Voltage Inputs: 0-5, 1-5, 0-10 VDC
- 1 Digital Input / Input Contact
- Current Output: Isolated 4-20 mA
- Relay Outputs: 0 or 4 SPDT Relays
- Up to 200 mA for powering sensor
- Configurable High/Low alarms
- Alternating Pump Control (with output relays)



# DDL Specifications



## Performance

- Display:  
2 lines, 6 characters each, 1.80" tall
- Display Update Speed:  
200 ms (5 updates per second)
- Accuracy:  
±0.03% of calibrated span
- Sunlight Readable Bright Display Standard

## Connectivity

- Input Options:  
0-20 mA, 4-20 mA  
0-5 VDC, 1-5 VDC, 0-10 VDC, ±10 VDC
- Output Options:  
4 SPDT Relays  
Isolated 4-20 mA
- Sensor Power Supply  
24/10/5 VDC selectable  
200 mA for VAC models  
100 mA for VDC models
- Analog Output Power Supply  
40 mA @ 24 VDC

## Environmental

- Front panel rating: NEMA 4X, IP65
- Storage Temp: -40° - 185°F (-40° - 85°C)
- Operating Temp: -40° - 150°F (-40° - 65°C)

## Certification

- CE
- UL/C-UL Listed

## Programming

- Programmable Features:  
Min/Max, Tare, Hold  
Multi-scale Input Display (e.g. Level & Volume)  
Noise Filter  
High/Low Alarms  
Alternating Pump Control  
Time Delay for Output Relays
- Methods:  
4 Front-panel Push Buttons  
MeterView Pro Software (with PC)

## Electrical

- Supply Voltage:  
VAC: 85 - 265  
VDC: 12 - 24
- Input Impedance:  
Voltage Inputs: > 500 kΩ  
Current Inputs: 50 - 100 Ω
- SPDT Relays:  
3 A @ 30 VDC / 125/250 VAC resistive loads  
1/14 HP (≈ 50 W) @125/250 VAC inductive loads
- Input Contact/Digital Input  
Contact Voltage: 3.3 VDC  
Digital Input Logic High: 3 - 5 VDC  
Digital Input Logic Low: 0 - 1.25 VDC  
Default Logic: Normally Open/Low

## Physical

- Size:  
10.63" x 12.59" x 4.77" (270 mm x 319.7 mm x 121.2 mm)
- Weight:  
6.10 lb (2.76 kg)

# Common Model Configurations

Din Mount Digital Display

<b>Model Number</b>	<b>Model Description</b>
DDL-A00	85 - 265 VAC input power, <b>No outputs (visual display only)</b>
DDL-A14	85 - 265 VAC input power, <b>4-20 mA output, 4 output relays</b>
DDL-D00	12 - 24 VDC input power, <b>No outputs (visual display only)</b>
DDL-D14	12 - 24 VDC input power, <b>4-20 mA &amp; 4 output relays</b>

# Model Configuration Options



Model Number: DDL -                 
                                  A     B     C

## A. Input Power

- A**    85-265 VAC
- D**    12-24 VDC

## B. Analog Output

- 0**    No Analog Output†
- 1**    4-20 mA Output††

## C. Output SPDT Relays

- 0**    No Relays†
- 4**    4 Relays††

Note: †Indicates No Analog Output and No Relays must be chosen together

Note: ††Indicates 4-20 mA Output and 4 Relays must be chosen together