

Exploded View

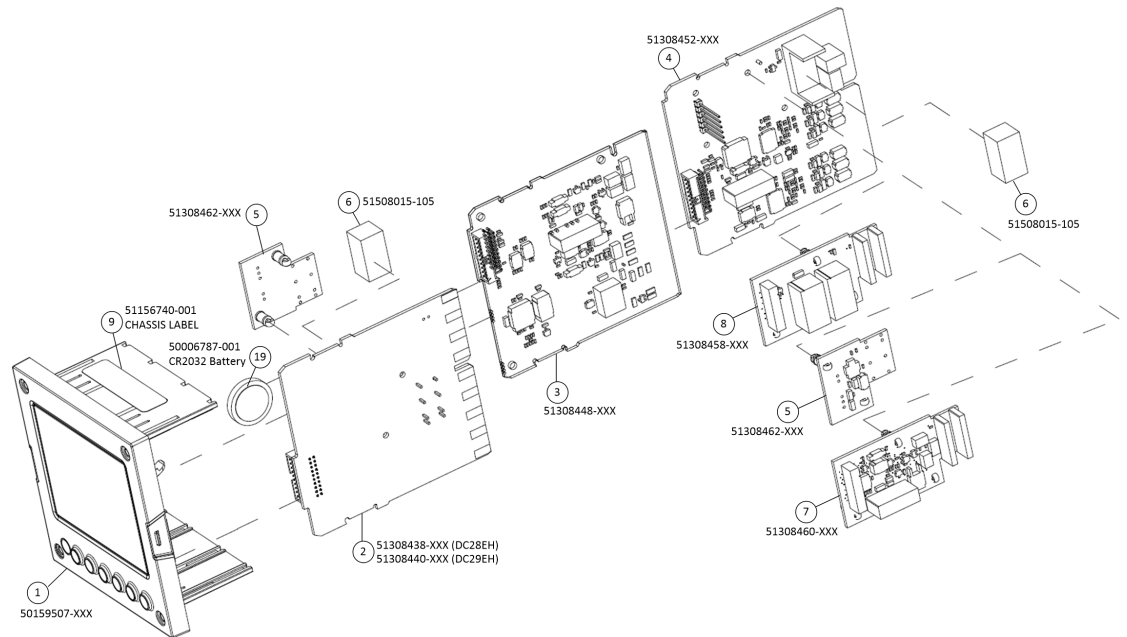
Introduction

This figure shows an exploded view of the UDC2800 Controller. Each part is labeled with a key number. The part numbers are listed by key number in table [Parts Identification](#).

NOTE: Not all parts are standard.

ATTENTION: Internal parts of the product must be replaced and maintained by Honeywell representative.

Figure 9-1: UDC2800 Exploded View



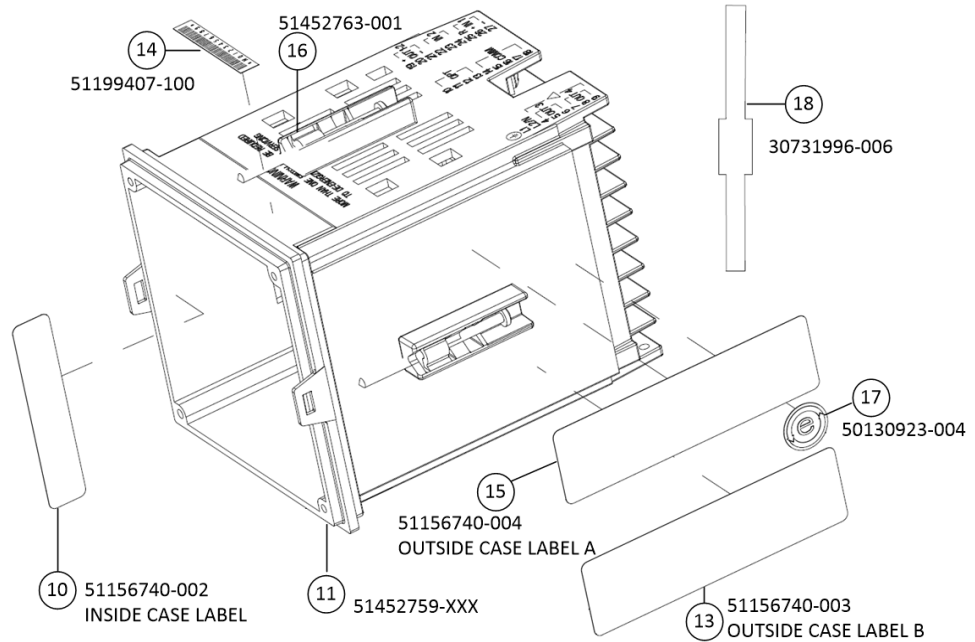
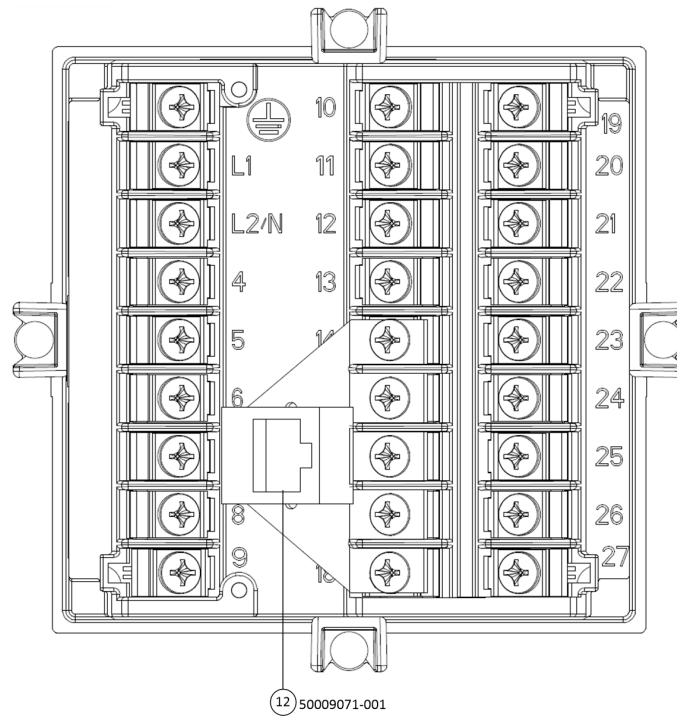
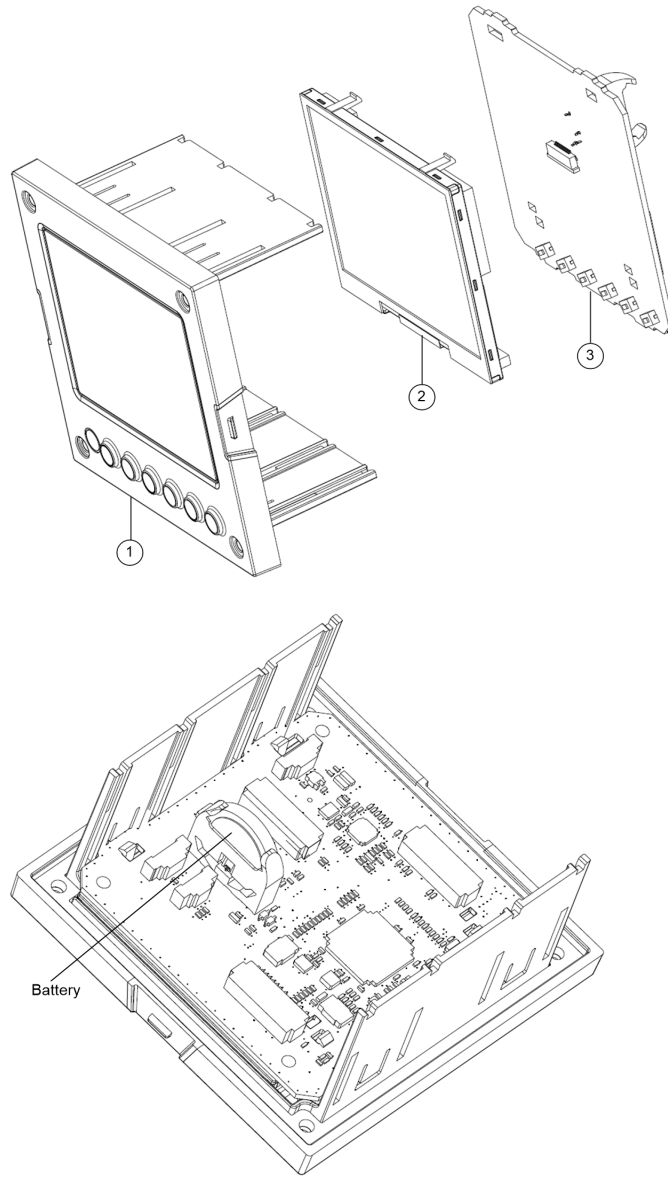


Table 9-1: Parts Identification

Key Number	Part Number	Description
1	50159507-501	Front panel assembly, UDC 2800/2900
2	51308438-528	Power/Output PWA without E-M Relays (90-264 Vac Operation)
	51308438-529	Power/Output PWA with E-M Relays (90-264 Vac Operation)
	51308440-526	Power/Output PWA with E-M Relays (24 Vac/dc Operation)
3	51308448-526	Auxiliary Output/Digital Input PWA
	51308448-527	Auxiliary Output/Digital Input/RS-422/485 Communications PWA
	51308448-528	Auxiliary Output/Digital Input/Ethernet Communications PWA
4	51308452-526	Analog Input/Control Output (1ch AI), PWA
	51308452-527	Analog Input/Control Output (2ch AI), PWA
5	51308462-526	Open Collector Output (TPS) PWA
6	51508015-505	Electro-Mechanical Relay
7	51308460-526	Current Output PWA
8	51308458-526	Dual Electromechanical Relay PWA
9	51156740-001	Chassis Label
10	51156740-002	Inside Case Label
11	51452759-501	Case Assembly (including Mounting Kit with four brackets)
12	50009071-501	Ethernet Adaptor Board Kit PWA
13	51156740-003	Outside Case Label B
14	51199407-100	Label, Module Barcode
15	51156740-004	Outside Case Label A
16	51452763-501	Mounting Kits (12 brackets & screws)
17	50130923-004	China RoHS 2 Label, Compliant

Key Number	Part Number	Description
18	30731996-506	4-20 mA Input Resistor Assembly (250 ohm)
19	50006787-001	<p>CR2032 Battery.</p> <p>Battery is installed in MCU display. For more information, see the following figures.</p> <p>NOTE: Battery is not used for the current release.</p>

Figure 9-2: 50159507 Exploded View



Key Number	Part Number	Description
1	50150597-501	CHASSIS ASSEMBLY, UDC
2	50152823-501	TFT-LCD module for UDC2800, CTM320240N01
3	51308456-526	MCU/Display PWA

Removing the chassis



Using a thin screwdriver, gently twist the screwdriver to pry the side tabs from the front face. Pry just enough to release it, otherwise you'll bend or break the tab. If you break or bend the tab and can't reattach the front snugly, you'll need to reattach the front using the 4 NEMA4 screws provided. See Mounting for more information.

WARNING: Do not put your fingers inside the case to touch rail terminals to avoid electric shock.