



MAX FLOW	50 GPM (190 LPM)	CX 1 inch
MAX PRESSURE	200 PSI (13.6 Bar)	

CoolPoint™ CX

UNIVERSAL[®] Flow Monitors

**Vortex Shedding Flowmeter for
Continuous or Batch
Water Add on
Concrete Trucks**

 CSA Certified
 CE Marked



Description

This flowmeter is made for water and low viscosity fluids compatible with materials of construction.

Features:

- Maximum flow rate of 50 GPM
- Designed for monitoring water add on concrete trucks
- Plastic end connections with Brass insert
- Pulse out or 4-20 mA output
- Batch (total) mode or rate for continuous mix
- Solid state relay can be configured as alarm
- No moving parts to clog or wear
- 1 1/2% accurate
- 3-digit LED display option
- Galons or Liters

Electrical Specifications

- Input Power: 10 - 30 VDC @ 80 mA 3 wire
- Electrical Connection
Pin Connector (standard)
Weather pack

Material Specifications

Flow body of Brass and Polysulfone with Viton[®] seals.
Bluffs made of brass PEEK sensor.

User-Configurable Options

Features that are selectable

- Solid state relays as (N.O. or N.C.)
- Configure one solid state relay as pulse out
- Engineering units (GPM, LPM)

Instrument Specifications

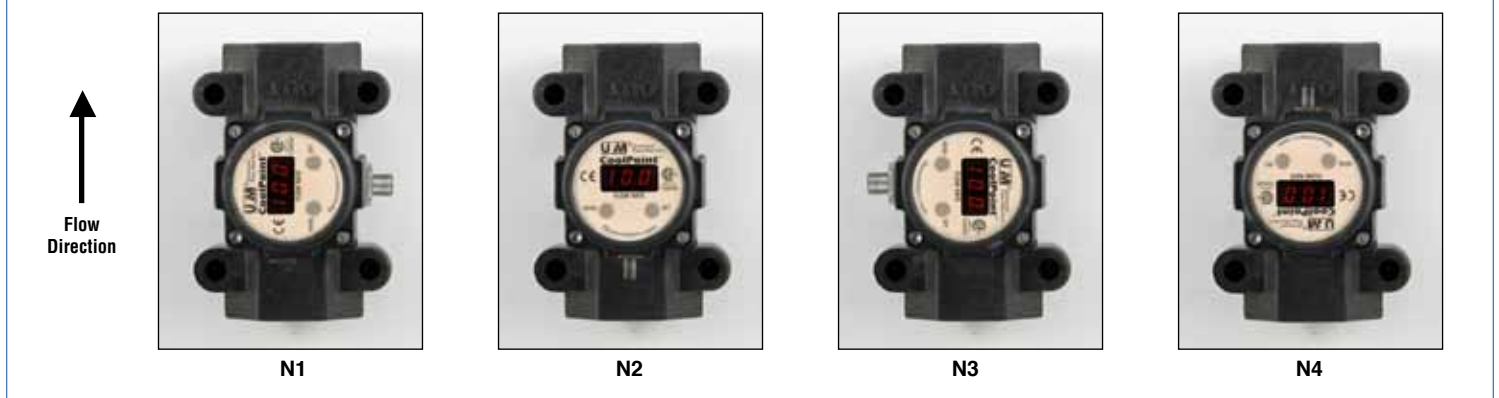
- Flow
Maximum flow 50GPM
Visual readout: 3 digit LED, 0.3" digit height
Turndown: 10:1
Accuracy: +/- 1-1/2% full scale
Repeatability: +/- .25% of indicated flow
- Pressure
200 PSI (13.6 bar)
- General
Fluid temperature limits: 35-210oF (2-99oC)
Enclosure Rating: IP65; Type 4X
Pipe Connection: Female NPT
Minimum backpressure required
(5 PSI typical at midrange, 10 PSI at high flows)
Over range to 125% without damage
Straight run 10 pipe diameters upstream
& 5 down for max accuracy
Pulse or 4-20mA rate output

How To Order Select the appropriate symbols to build a model code:

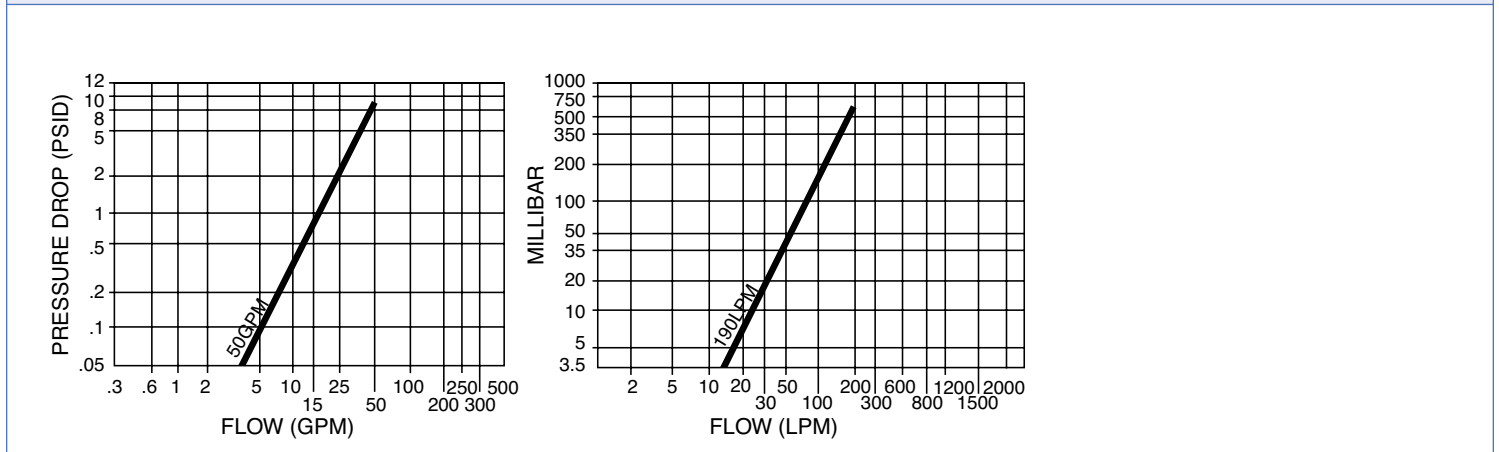
MODEL CODES

SERIES	SYMBOL=FEATURE			
	BODY MATERIAL	CABLING	OUTPUT AND DISPLAY	ORIENTATION
CX8	M6 = Brass with Polysulfone endcaps	C1* = 5 pin connector only C7 = 4 feet of 3-wire cable added to the pin connector terminating in a PG7 "weather pack" connector	D3* = Pulse out with 3 digit display of total D1 = 4-20 mA out with 3 digit of rate display D4E10 = pulse out no display D4E1 = 4-20 mA out with no display	N2* = Flow up N3 = Flow left N1 = Flow right N4 = Flow down

FACE AND PIN CONNECTOR ORIENTATION WITH FLOW



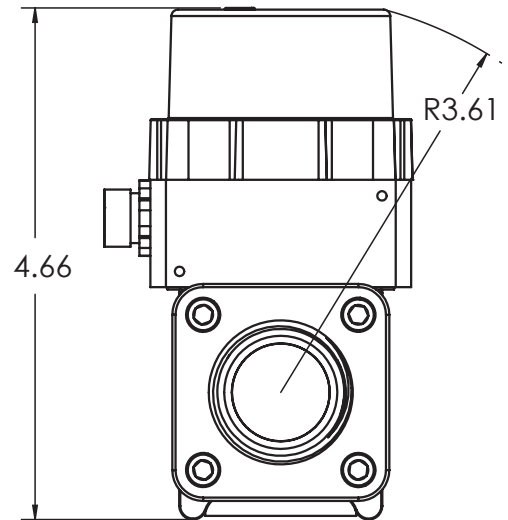
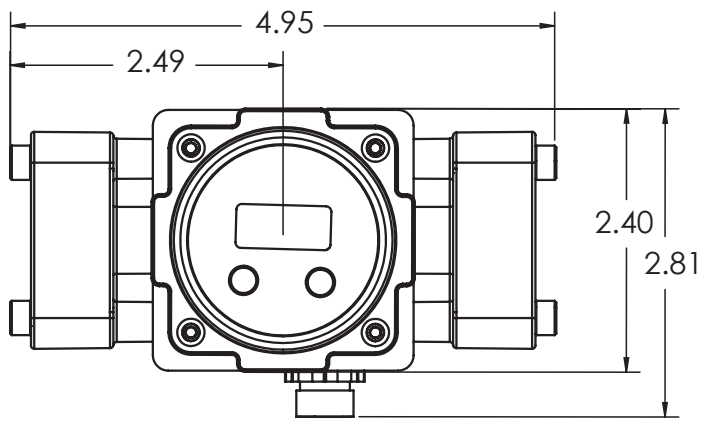
PRESSURE DROP CHARTS



ACCESSORY CABLES AVAILABLE FOR PIN CONNECTOR METERS

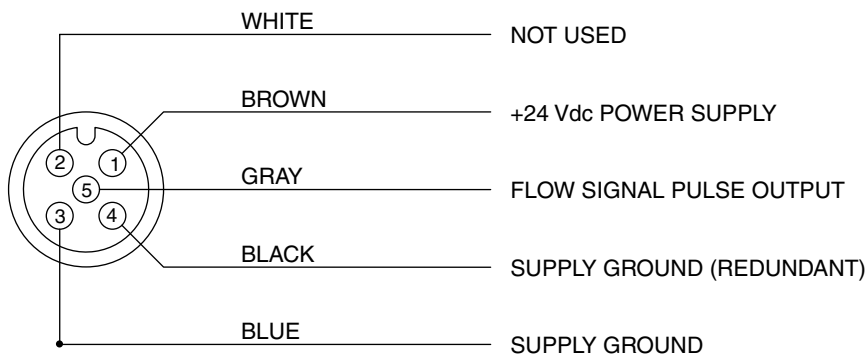
Series	Description	Length in Meters	Part Number
CX	5 pin female	1	6241-1M
		3	6241-3M
		10	6241-10M

INSTALLATION DRAWING FEMALE NPT



PIN CONNECTOR PINOUTS

TOTALIZER WITH PULSE OUTPUT

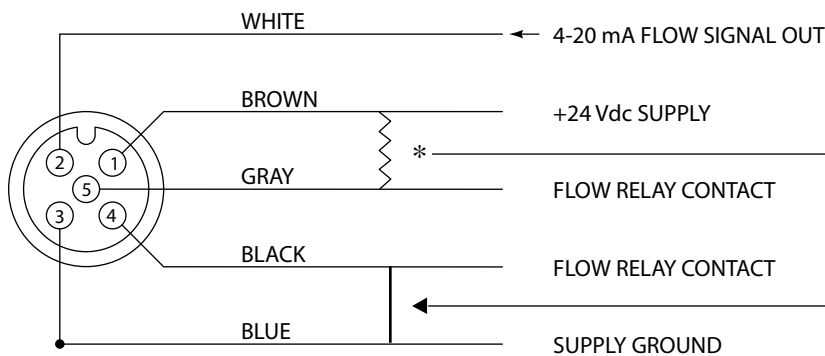


PIN CONFIGURATION:

- 1: + 24 VDC power supply
- 2: not used
- 3: supply ground
- 4: supply ground
- 5: flow signal pulse output

Note: There is an internal 10K Ω pull-up resistor on the pulse output line (pin 5).

FLOW RATE WITH 4-20MA OUTPUT



To turn flow relay contact from a switch to a pulse out by externally connecting a 2K - 10K Ohm pull up resistor from power supply to one flow relay contact and connecting the other flow relay contact to supply ground.

CONFIGURATION:

- 1: + 24 VDC power supply
- 2: 4-20 mA flow signal out
- 3: power supply ground
- 4: flow relay contact
- 5: flow relay contact