

# Source 3000 Portable Pneumatic Pressure Source



Note: Consult factory with your specific Test Port configuration requirements.



"106594 - NO TOOLS REQUIRED"



"107288 - NO TOOLS REQUIRED"

DIMENSIONS	
A	18.0 in. (457.2 mm)
B	11.5 in (292.1 mm)
C	7.2 in. (182.8 mm)

## STANDARD FEATURES

- Self-contained nitrogen cylinder
- "Overpressure protection" Condec REG 3000 regulator limits pressure to costly units under test
- Charge your internal nitrogen cylinder to 3000 psi with provided adapter fitting
- Two output (test) ports, for connecting to Device-Under-Test as well as a precision calibration standard (works with all major name brand pressure calibrators, digital gauges or indicators)
- Precisely dial into required pressures with patented valve assembly
- 15.2 cubic feet of nitrogen at 3000 psi
- Aluminum carrying case
- Front panel gauges inform operator of internal cylinder pressure level
- Different technicians can operate the system and get identical results...every time
- Pneumatic only - no hydraulics or distilled water messes

## APPLICATIONS

- Works with all major manufacturer's electronic pressure calibrators
- Truly portable pneumatic source to 3000 psi
- Nitrogen source for a full day of calibrating

## SPECIFICATIONS

### Internal Pressure Cylinder:

15.2 cubic feet of nitrogen at 3000 psig  
133 cubic inches, 3000 psig rating, 5000 psig test pressure, 6061 aluminum material

### Storage Temperature:

0°F to 185°F (-17.8°C to 85°C)

### Pressure Media:

Clean dry gaseous nitrogen or equal

### Pressure Regulator:

3000 psig, single stage, self venting, non-bleed

### Pressure Gauges:

(2) Two-inch diameter, 0-4000 psig

### Rupture Disc:

3200 psig nominal, stainless steel outer case

### Pressure Filter:

20 micron nominal, field replaceable

### Control Valves:

Orion 2C, micro-metering valve, replaceable soft seat, aluminum and stainless steel

### Piping:

All stainless steel, seamless

### Test Ports:

(2) Two, 5000 psig rated 3000 psig operating, 300 series stainless steel

### Pressure Fittings:

Input fitting: 1/4 in. 37° female AN swivel on one end and 1/8 in. NPT male on other, to go to customer input hose

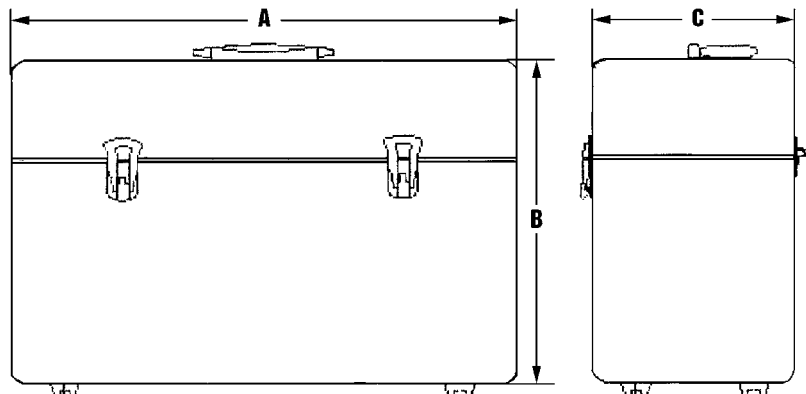
Output test ports: stainless steel quick-disconnect on one end and 1/4 in. NPT female on other, to go to customer output hose

### Case:

All aluminum case with latched cover and handle

### Weight:

25 lb (9.07 kg)



# Source 3000 Portable Pneumatic Pressure Source

## MODEL/PRICE

PART #	DESCRIPTION	EST. SHIP WEIGHT	PRICE
65315	Source 3000 pneumatic pressure source (Buna-N Seals & Standard Female Quick-Disconnect Output (test) Ports and 7/16 -20 AN-4 male Fill Port) Note: Fill Port requires one (supplied) Cheat Seal PN 54854	29 lb	Consult
98916	Source 3000 with Swagelok QC4 Quick-Disconnect Female Output (test) Ports and QC4 Quick-Connect Male Fill Port (Buna-N Seals)	29 lb	Consult
98917	Source 3000 with Ralston male quick-test/check-valve Output (test) Ports and Standard 7/16 -20 AN-4 male Fill Port Note: Fill Port requires one (supplied) Cheat Seal PN 54854 (Buna-N Seals)	29 lb	Consult
131385	Source 3000 with 7/16 -20 AN-4 Male Output (test) Ports and Fill Port (Buna-N Internal Seals) Note: Each Port requires one Cheat Seal PN 54854	29 lb	Consult

Note: Consult factory with your specific Test Port configuration requirements.



58483



55394 or 130239



55294 -No Tools Required

## OPTIONS/ACCESSORIES

PART #	DESCRIPTION	PRICE
79423	Source 3000 tool/hose canvas carrier (fits in top cover of unit)	Consult
78939	Fill port hose (input) 5 ft. long hose with CGA-580 male nipple on one end and 7/16-20 JIC 37° female AN-4 swivel on other end	Consult
67248	Output (test) port 5 ft. long hose with quick-disconnect plug (SST) on one end and 7/16-20 JIC 37° female AN-4 swivel on other end, for Source 3000 (PN 65315)	Consult
65546	Additional operation and maintenance manual	Consult
58483	Pressure trap, for Source 3000 (PN 65315) Literature sheet PN 58609	Consult
54854	Additional cheat seal (used with fill port hose 78939)	Consult
153097	Standard Input (fill) port input hose fitting, female 7/16-20 AN-4, 37 degree swivel to 1/8-27 NPT male SST 10,000 PSI working pressure for Source 3000 (PN 65315) input port (Consult factory for additional fill port adapters.)	Consult
55294	Output (test) port male quick-disconnect adapter assembly, male coupling body to (finger tighten) 1/4 female NPT other end, 5000 PSIG working pressure (for quick changing between various DPDG models, when used between Source 3000 (PN 65315) test port adjustable adapters and CONDEC DPDG gauge)	Consult
55394	Standard output (test) port quick-disconnect fitting, male coupling body/female 1/4 NPT, 5000 psig working pressure (for mating between CONDEC DPDG and UPC5000 or Source 3000 (PN 65315))	Consult
130239	Output (test) port quick-disconnect fitting, male coupling body/female 1/8 NPT, 6500 psig working pressure (for mating between DUT and UPC5000 or Source 3000 (PN 65315))	Consult
106594	Output (test) port quick-disconnect adjustable adapter assembly, male coupling body to 1/8 NPT Swivel other end, 5000 psig working pressure (for hands-free display reading when used between Source 3000 (PN 65315) test port and CONDEC 3030, see pictorial on previous page)	Consult
107288	Output (test) port quick-disconnect adjustable adapter assembly, male coupling body to Female quick-disconnect swivel other end, 3000 psig working pressure (for hands-free display reading when used between Source 3000 (PN 65315) test port and CONDEC DPDG gauge, see pictorial on previous page)	Consult

PORTABLE SOURCE