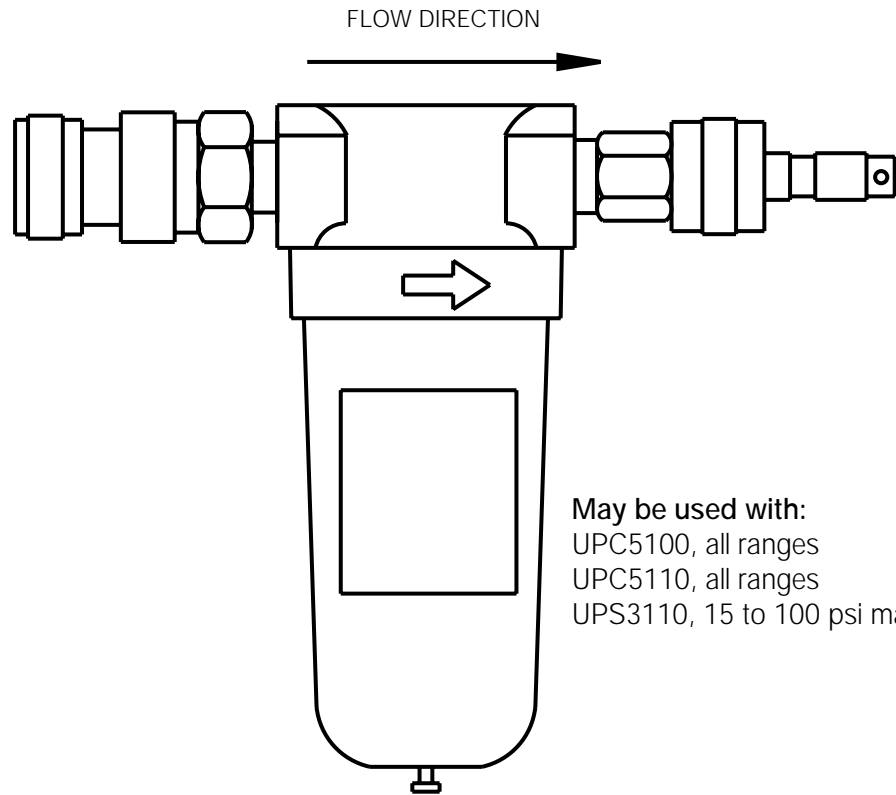


100 psi Max. Pressure Trap



May be used with:
UPC5100, all ranges
UPC5110, all ranges
UPS3110, 15 to 100 psi max.

Part #58487

- Maximum working pressure is 100 psi, and maximum working temperature is 140° F.
- Unit connects between calibrator test port and test hose.
- Always vent system pressure prior to connecting or disconnecting.
- Always disconnect from calibrator and test hose prior to cleaning.

CONDEC 
Genuine Quality, Proven Performance.

Toll Free: 888-295-8475 • International: 715-234-9171 • FAX: 715-234-6967
WEB SITE: www.4condec.com