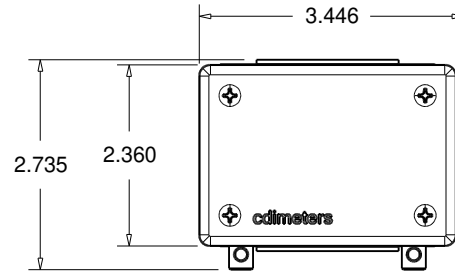


MATERIALS:

ELECTRONIC ENCLOSURE
 LID - POLYCARBONATE
 BASE - ABS + PC

RINGS & BASE - ALUMINUM

PROBES - TYPE 304 STAINLESS, TIPS
 GOLD PLATED



METER SIZE	A	B	C	D
05S	3.951	4.888	1.875	0.875
07T	3.951	4.888	1.875	0.813
07C	4.044	5.075	2.062	0.938
25M	4.044	5.075	2.062	1.063
07S	4.138	5.263	2.250	1.125
10C	4.138	5.263	2.250	1.188
10S	4.201	5.388	2.375	1.375
12T	4.138	5.263	2.250	1.270
12C	4.326	5.638	2.625	1.438
15T	4.326	5.638	2.625	1.563
15C	4.513	6.013	3.000	1.688
15S	4.513	6.013	3.000	1.938

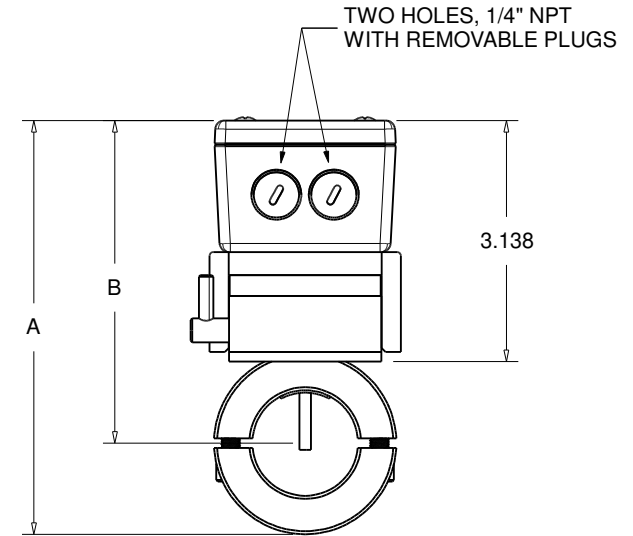
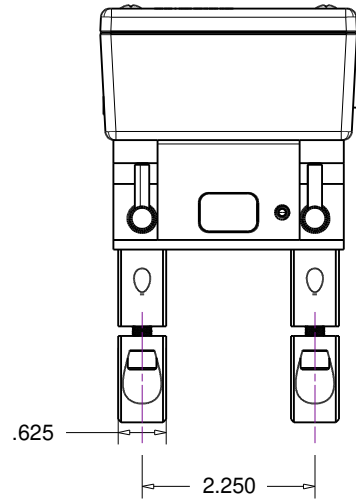
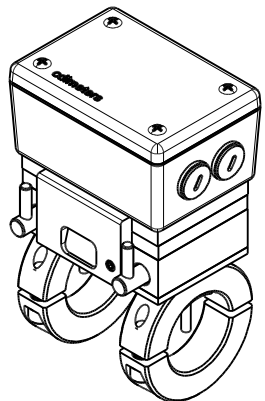
0.330 GROMMET-LINED
 OPENING FOR POWER
 CONNECTION

FKM GASKET

Ø.148

D

C



CDI 5250 REV 3 FLOWMETER
SHOP DRAWING
MARCH 17, 2020
CDI METERS, INC.