

MEX5 Crimped

Stainless Steel Pressure Gauge



Main Features

- Class 1.0 according to EN 837-1
- Wetted parts Stainless steel
- Fully welded version
- Crimped bezel ring
- Option : liquid-filled for applications with pulsations or vibrations

Application

- General purpose
- Clean air
- Non corrosive gases / liquid media
- Transportation & Logistics
- Machinery

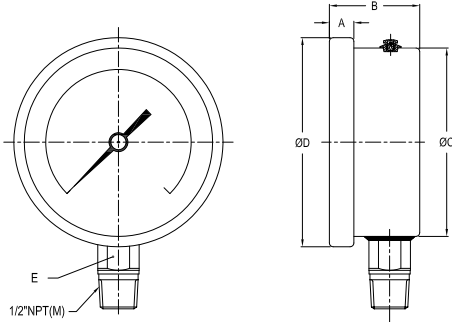
Technical Data

Nominal size	100 mm	Bezel ring	Stainless steel 1.4301 (AISI 304)
Measurement range	-1 ... 0 to 0 ... 1000 bar	Movement	Stainless steel
Pressure limitation	Steady : 100% of full scale value Fluctuating : 60% of full scale value Short time : 125% of full scale value	Window	Plexi glass
Accuracy	Class 1.0 (according EN837-1)	Window gasket	Neoprene
Protection rating	IP 65 (EN 60529)	Dial	Aluminium, white
Process Connection	Stainless steel 1.4301 (AISI 304)	Pointer	Aluminium, black
Bourdon tube	Stainless steel 1.4404 (AISI 316L)	Temperature	Ambient : -20 ... +70°C Medium : -40 ... +200°C (not filled) -20 ... +70°C (filled)
Case	Stainless steel 1.4301 (AISI 304)	Thermal drift	± 0.4% F.S. / 10 K (reference : 20°C)

Options

Calibration certificate (5 points raising)	Code Q008
Material certificate 3.1 EN10204	Code Q003
Restrictor screw Ø 0.5 (for fittings > 1/4")	Code 0771
SS tag plate	Code 9941
Dial tag marking	Code 9936

Dimensions - Type of mounting



NS	A	B	ØC	ØD	E	Weight
100	8	46	100	110	22	0.48 Kg

Notes : • Drawings are not to scale. • All Dimensions are in mm • NS = Nominal size
 • Weights mentioned are approximate and for standard product. Weight can be different after selection of options.

Pressure ranges

Code	Bar
B59	-1 ... 0
B72	-1 ... 0.6
B74	-1 ... 1.5
B76	-1 ... 3
B77	-1 ... 5
B79	-1 ... 9
B81	-1 ... 15
B82	-1 ... 24
B12	0 ... 0.6
B15	0 ... 1
B16	0 ... 1.6
B18	0 ... 2.5
B19	0 ... 4
B20	0 ... 6
B22	0 ... 10
B24	0 ... 16
B26	0 ... 25
B27	0 ... 40
B29	0 ... 60
B31	0 ... 100
B33	0 ... 160
B35	0 ... 250
B38	0 ... 400
B39	0 ... 600
B41	0 ... 1000

Code	kPa
D59	-100 ... 0
D72	-100 ... 60
D74	-100 ... 150
D76	-100 ... 300
D77	-100 ... 500
D79	-100 ... 900
D81	-100 ... 1500
D82	-100 ... 2400
D12	0 ... 60
D15	0 ... 100
D16	0 ... 160
D18	0 ... 250
D19	0 ... 400
D20	0 ... 600
D22	0 ... 1000
D24	0 ... 1600
D26	0 ... 2500
D27	0 ... 4000
D29	0 ... 6000
D31	0 ... 10000
D33	0 ... 16000
D35	0 ... 25000
D38	0 ... 40000
D39	0 ... 60000
D41	0 ... 100000

Code	kg/cm ²
F59	-1 ... 0
F72	-1 ... 0.6
F74	-1 ... 1.5
F76	-1 ... 3
F77	-1 ... 5
F79	-1 ... 9
F81	-1 ... 15
F82	-1 ... 24
F12	0 ... 0.6
F15	0 ... 1
F16	0 ... 1.6
F18	0 ... 2.5
F19	0 ... 4
F20	0 ... 6
F22	0 ... 10
F24	0 ... 16
F26	0 ... 25
F27	0 ... 40
F29	0 ... 60
F31	0 ... 100
F33	0 ... 160
F35	0 ... 250
F38	0 ... 400
F39	0 ... 600
F41	0 ... 1000

Code	psi
H59	-30" Hg ... 0
H73	-30" Hg ... 15
H75	-30" Hg ... 30
H2C	-30" Hg ... 60
H78	-30" Hg ... 100
H79	-30" Hg ... 150
H81	-30" Hg ... 220
H82	-30" Hg ... 300
H13	0 ... 10
H15	0 ... 15
H1C	0 ... 20
H17	0 ... 30
H19	0 ... 60
H21	0 ... 100
H22	0 ... 160
H23	0 ... 200
H25	0 ... 300
H26	0 ... 400
H27	0 ... 600
H30	0 ... 1000
H31	0 ... 1500
H34	0 ... 3000
H38	0 ... 6000
H40	0 ... 10000
H41	0 ... 15000

