



Main Features

- Case and socket forged into one piece.
- Powder coated case and gold plated cover ring for best protection
- Gauge sizes 2.5"(63 mm) and 4"(100 mm)
- Range up to 15,000 psi
- Liquid fill and restrictor as standard for vibration and pressure pulsation

Applications

- Hydraulic pump systems
- Compressors
- Oil tank batteries
- Oil field pumpjacks
- Fire trucks
- Mobile hydraulics

Technical Data

Nominal size: MAG3- 2.5" (63 mm)
MAG5- 4" (100 mm)

Measurement range: Vacuum, Compound- 15,000 psi

Pressure limitation: Steady- 75% of full scale
Fluctuating- 65% of full scale
Short time-100% of full scale

Accuracy: 2.5": +/- 2/1/2% of span
4": +/- 1% of span

Protection rating: IP 66

Process connection: Copper Alloy

Bourdon tube: Copper Alloy

Case: Forged Brass

Restrictor: Copper Alloy

Cover ring: Gold Plated ABS (2.5")
Polished Stainless Steel (4")

Movement: Copper Alloy

Window: Acrylic

Window Gasket: Elastomer

Dial: Aluminum, white

Pointer: Aluminum, black

Temperature

Ambient: -4°F...+140°F(-20°C...+60°C)-Glycerin Filled
-40°F...+140°F(-40°C...+60°C)-Silicone Filled

Medium: Max. +140°F

Thermal Drift: ±0.4% FS / 10K (reference: 20°C)

Option Codes

Customer Logo: 9750

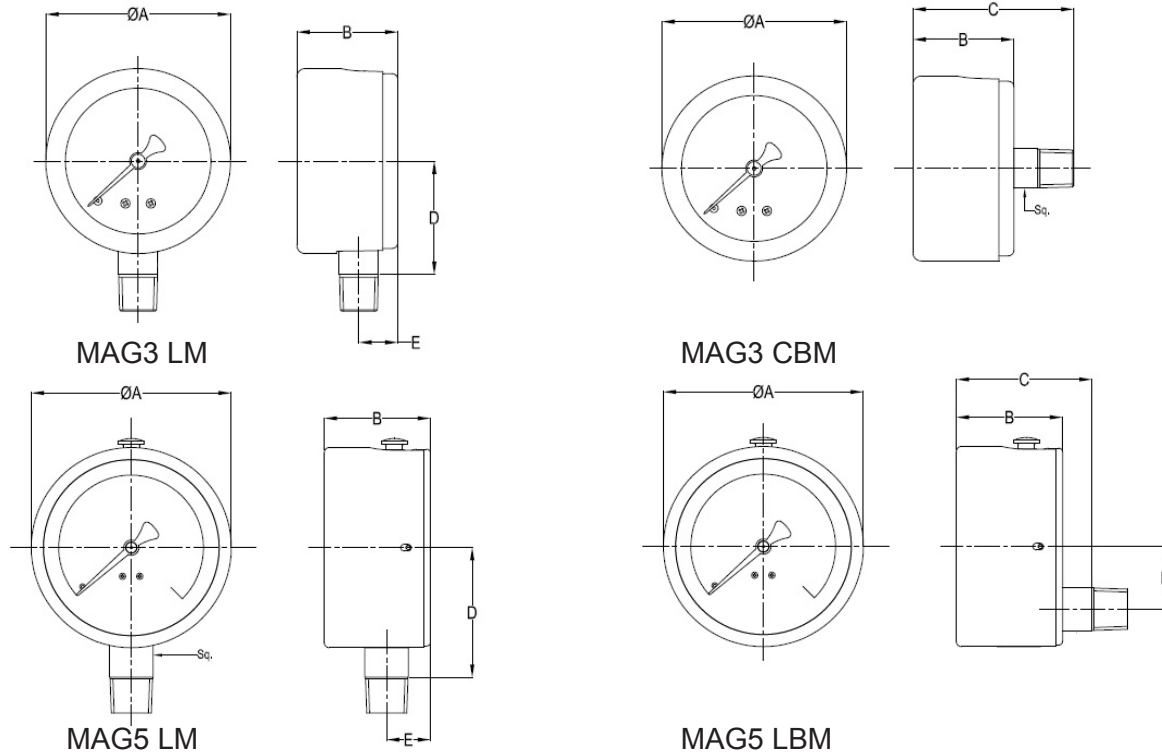
No Logo: 0662

Special Scale Dial: 9704

Accuracy Class 1: 0841

Oxygen Cleaned: 1220

Dimension - Types of Mounting



Part		A	B	C	D	E	F	Thrd. (STD)	Weight (Filled)
MAG3 LM	mm	65.5	35.8	n/a	40.1	13.8	n/a	1/4" npt	363 gm
	in.	2.58	1.41	n/a	1.58	0.54	n/a	1/4" npt	0.80 lbs
MAG3 CBM	mm	65.5	35.8	44	n/a	n/a	n/a	1/4" npt	363 gm
	in.	2.58	1.41	1.73	n/a	n/a	n/a	1/4" npt	0.80 lbs
MAG5 LM	mm	100.7	53.5	n/a	67	21.2	n/a	1/2" npt	1225 gm
	in.	3.96	2.11	n/a	2.64	0.83	n/a	1/2" npt	2.70 lbs
MAG5 LBM	mm	100.7	53.5	68.3	n/a	n/a	21.5	1/2" npt	1225 gm
	in.	3.96	2.11	2.69	n/a	n/a	1.24	1/2" npt	2.70 lbs

Pressure Ranges

Code	psi	Code	psi	Code	psi
H59	-30" Hg...0	H1C	0...20	H30	0...1000
H73	-30" Hg...15	H17	0...30	H31	0...1500
H75	-30" Hg...30	H19	0...60	H34	0...3000
H2C	-30" Hg...60	H21	0...100	H38	0...6000
H78	-30" Hg...100	H22	0...160	H40	0...10000
H79	-30" Hg...150	H23	0...200	H41	0...15000
H81	-30" Hg...220	H25	0...300		
H82	-30" Hg...300	H26	0...400		
H15	0...15	H27	0...600		

Ordering Details

		-			.	xxx
--	--	---	--	--	---	-----

Model

Forged Brass

MAG

Nominal Size

2.5" (63 mm)

3

4" (100 mm)

5

Type of Mounting

Back connection, front flange

B

Bottom connection front flange

C

Bottom connection

D

Back connection

F

Back connection with u-clamp

G

Process Connection

1/4" npt

5

1/2" npt

6

Liquid Filling

Dry

0

BH2: High viscosity glycerin 99.5%

2

BH1: Low viscosity glycerin 86% - distilled water 14%

1

BH3: Silicone oil

3

Unit of measurement/pressure range

Hxx

Ordering Example

MAG	3	-	D	5	0	.	H21
-----	---	---	---	---	---	---	-----

Forged Brass Model

2.5" (63mm) Nominal Size

Lower Mount

1/4" npt threads

Dry (no fill)

Range 0...100 psi

