

# BETA LDT-500 Dirt/Moisture Trap Operating Instructions

**Warning: The LDT-500 is designed for use only with Pneumatic Systems Only!**

## Pressure Connection:

Outlet: 1/8" NPT Male Thread with O-Ring seal

Inlet: Universal 1/8" NPT Female or 1/8" BSP Female Thread

## Maximum Working Pressure:

500 psi/35 bar.

## Orientation:

The LDT-500 is designed to be used vertically and should be removed from the calibrator when not in use.

## Media Compatibility:

Electroless Nickel over brass, Acrylic, Cast Urethane and Nitrile (Buna-N) O-Ring seals.

## Replacement Parts:

P/N: 5656189 Chamber, Clear Acrylic

P/N: 1010072 Seal Kit, LDT-500

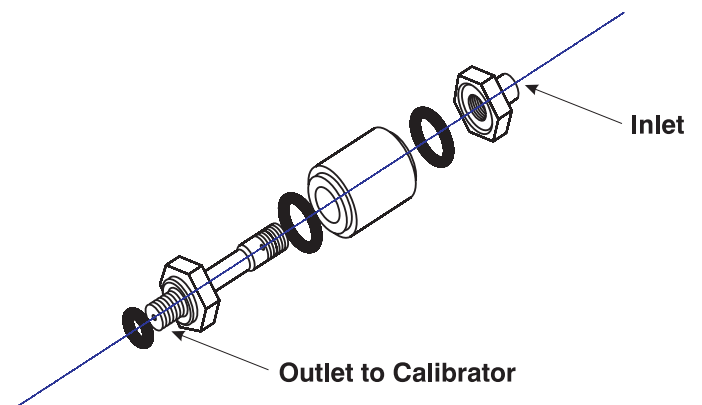
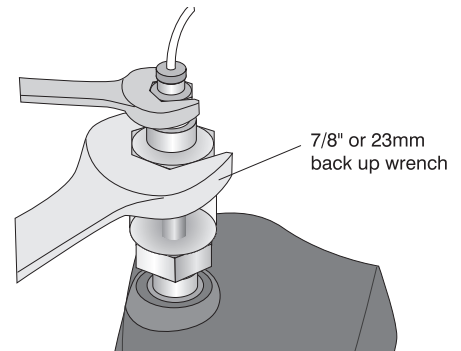
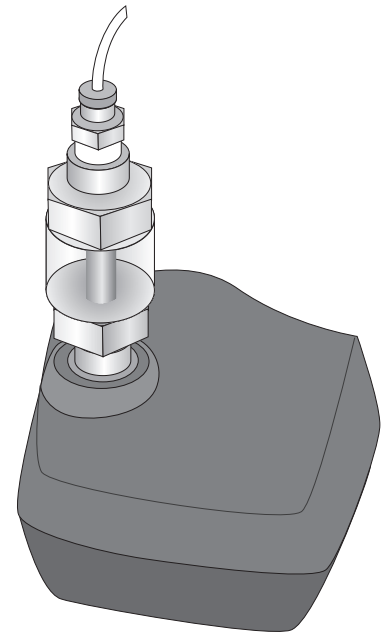
(Consists of 2 Buna-N and 2 Cast Urethane O-Rings)

## Operation:

1. Fit the LDT-500 to the test port of the calibrator, hand tighten only, the o-ring at the base of the 1/8" NPT male thread will make a proper seal.
2. Connect the equipment under test to the upper port on the LDT-500, using a suitable sealing method. Use a 7/8" or 23mm back up wrench on the hex section nearest the upper port when connecting to the LDT-500 inlet.
3. If moisture or dirt particles are seen within the clear chamber during use, dismantle and clean the trap.

## Cleaning/Assembly:

1. Unscrew the top section of the LDT-500 then remove the clear acrylic chamber and the two o-rings.
2. Clean and dry the internal components with a clean cloth. **DO NOT USE SOLVENTS** on the clear acrylic chamber as damage may occur.
3. Before reassembly inspect the clear acrylic chamber, external and internal o-rings for wear or damage and repair by ordering replacement parts. Do not reuse worn or damaged parts.
4. Before assembly lightly lubricate the two internal o-rings with Dow 111, or silicone grease and then reassemble the LDT-500 properly. Hand tighten only.



Martel Electronics Corporation, 3 Corporate Park Drive, Unit # 1, Derry, NH 03038

www.martelcorp.com • e-mail: sales@martelcorp.com

Tel: (603) 434-1433 800-821-0023 • Fax: (603) 434-1653