

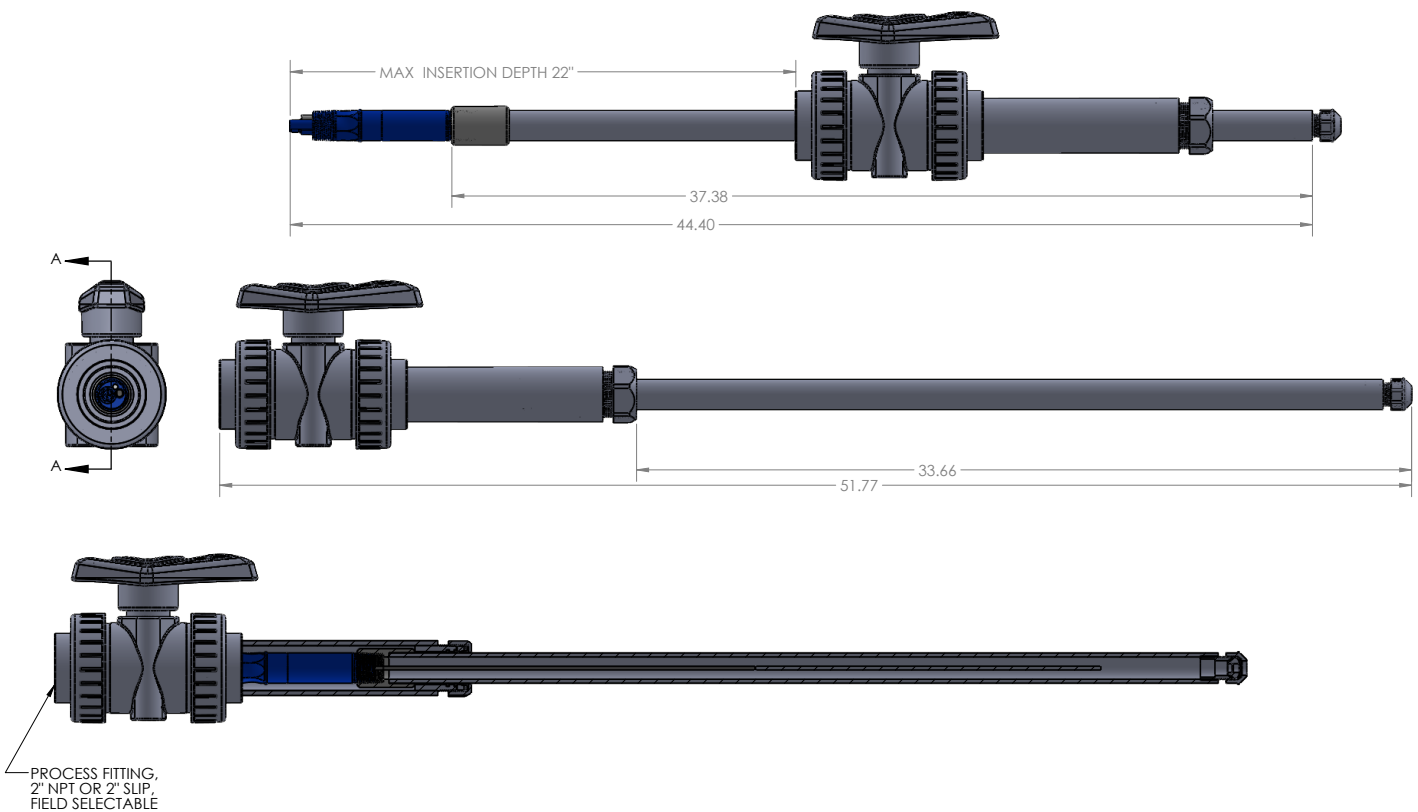
**Description**

Removing a probe from the side of a tank can be a logistical nightmare. The spillage of tank contents can be dangerous as well as messy. A hot (or wet) tap solves this problem. A special ball valve allows the user to slide the probe in and out of the tank with the loss of, at most, a few drops.

Some hot taps, including older AquaMetrix versions, required

a probe specifically designed to be used with the valve. The newly redesigned AM-HTA accommodates most probes with a 1" MNPT thread. This includes our R5 series pH and ORP differential sensors and our new new AS-TX conductivity sensor with direct 4-20 mA output. The AM-HTA is also compatible with Hach/GLI 1" differential probes.

**Dimensions**



**Related Products**

**Ordering Information**

**PROBES**

- P60R5 5-wire 1" pH differential probe
- R60R5 5-wire 1" ORP differential probe
- P65R5 2-wire (direct output) 1" differential pH probe
- R65R5 2-wire (direct output) 1" differential ORP probe
- P 575 1" Combination pH probe
- R575 1" Combination ORP probe
- ASMITX Conductivity probe with direct output

- AM-HTA-R5 Hot tap with fitting for 1" MNPT probe