

THE EDGE FLOW SENSOR – WITH BLUETOOTH

Ideal for use with all AW Gear Meter and Turbine flow meter applications requiring an analog, pulse, or Modbus output.



BENEFITS

Streamlined Setup with Bluetooth*

These pickups are equipped with Bluetooth, making setup and scaling much easier. Setup from the "AWL Mobile Toolkit" application on a mobile device or the AW-Lake Toolkit PC software. You no longer need to walk from the device to your monitoring equipment when fine-tuning your adjustments.

**Pulse output version does not come standard with Bluetooth, but can be added.*

Modbus Interface

With Modbus option, users can pull key parameter values via digital serial interface.

Linearizer

To improve output accuracy with some flow meters which are non-linear, a 10-point linearization table can be utilized through the Bluetooth app and PC Toolkit.

Wireless Hand-Held Display

Using the Bluetooth mobile app on your phone, you have a wireless flow monitor in your hand!

Easy Interface Verification

With the ability to force the sensor to output a frequency or analog signal, proper connection to user interface can be verified without need to run fluid flow.

APPLICATIONS

The EDGE Flow Sensor is ideal in general applications when sending an analog, pulse or modbus signal to a PLC or other control system.

FEATURES

- Analog output signal defaults to 4–20mA and 0–10V (0–5V, 1–5V & 2–10V selectable through PC Toolkit or "AWL Mobile Toolkit" mobile app)
- Frequency output to 5KHz, flow dependent
- Modbus communication
- Excellent linearity, high temperature stability and long-term stability
- Powered by 12–24VDC
- 16-bit analog output resolution
- Bluetooth enabled for wireless setup from a mobile device (can be disabled by factory)
- Password protected Bluetooth communication
- Connect sensor to PC via standard USB-C cable
- Firmware can be updated by users via the PC Toolkit

TECHNICAL SPECIFICATIONS

Supply Voltage Range

12–24VDC $\pm 10\%$
Max current draw 40–100mA
(model-specific, contact factory)

Analog Output Options

4–20mA & 0–10V – Default
0–5V, 1–5V & 2–10V – Available
through PC Toolkit or mobile app

Standard Max Output

+2.5% of max scaling (20.5mA/5.125V
/10.25V)

Error Indication

+10% of max scaling (22mA/5.5V/11V)

Analog Output Resolution

16 bit

Analog Output Update Time

100mSec minimum

Ambient Temperature

-40°F to 185°F (-40°C to 85°C)

Pulse/Frequency Output:

Push/Pull output – default
Sinking or Sourcing optional.
Easy setup through PC Toolkit.

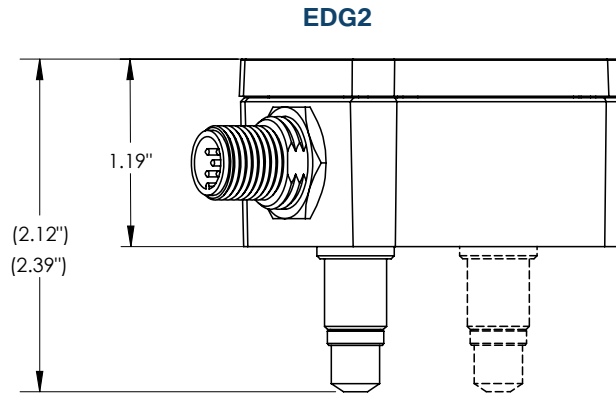
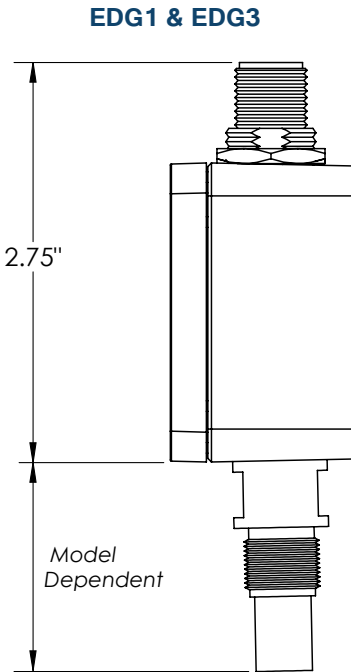
MATERIALS OF CONSTRUCTION

Housing	Anodized Aluminum
Pickup	303ss body w/ Zytel cap
Seal	Buna-N

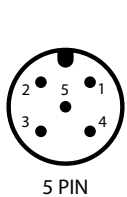
THE EDGE FLOW SENSOR – WITH BLUETOOTH

Ideal for use with all AW Gear Meter and Turbine flow meter applications requiring an analog, pulse, or Modbus output.

DIMENSIONS



INDUSTRY STANDARD M12-A CONNECTORS

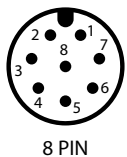


PULSE OUTPUT

- 1: 12-24VDC
- 2: GROUND
- 3: FREQ OUT 1
- 4: FREQ OUT 2
- 5: N/C

ANALOG + PULSE

- 1: 12-24VDC
- 2: GROUND
- 3: mA OUT
- 4: V OUT
- 5: FREQ OUT 1



ANALOG + PULSE + MODBUS

- 1: 12-24VDC
- 2: GROUND
- 3: FREQ OUT 1
- 4: FREQ OUT 2
- 5: mA OUT
- 6: V OUT
- 7: MODBUS +
- 8: MODBUS -

MOBILE TOOLKIT APP

EDGE Sensor-03B3 System Settings

- K-Factor (pl/gal) 1.00
- Digital Filter Sensitivity Off
- Flow Units Gallons
- Flow Time Base Minutes
- Max Flow Rate (gal/min) 5000.00
- Max Flow Units Gallons
- Max Flow Time Base Minutes
- Total Units Gallons
- Bluetooth Name EDGE Sensor

EDGE Sensor-03B3

Flow Rate	0.00
Voltage Output	0.00
Current Output	4.00
Total	14.00 gal
Grand Total	1594.00 gal

EDGE Sensor-03B3

- System Settings
- Output Settings
- Output Calibration
- Limits Setup
- Linearizer Table
- Diagnostics
- About Bluetooth Device
- Factory Reset
- Disconnect
- Exit Application



Products may be subject to change without notice - Contact factory for the most up-to-date product information.



2440 W. Corporate Preserve Dr. #600, Oak Creek, WI 53154 | www.aw-lake.com

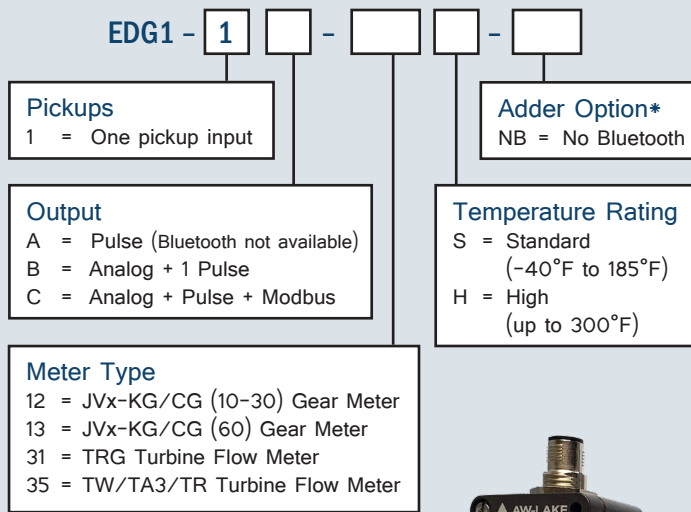
©2020 AW-Lake. All rights reserved. Doc ID: EDGDS20 Rev 12.29.21

THE EDGE FLOW SENSOR – WITH BLUETOOTH

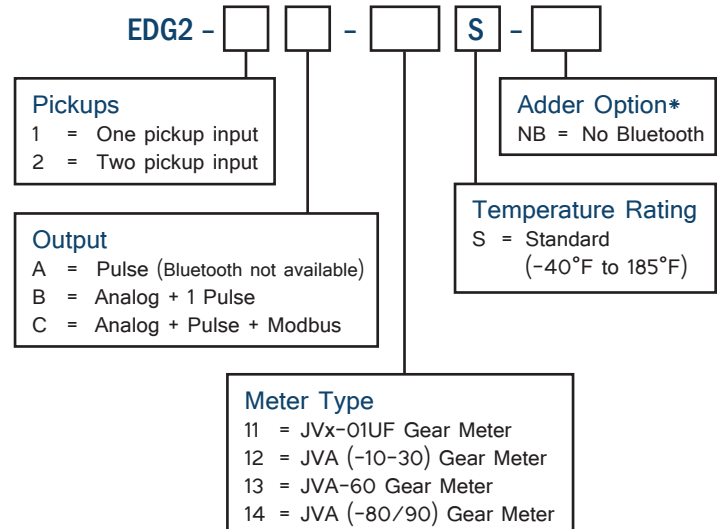
Ideal for use with all AW Gear Meter and Turbine flow meter applications requiring an analog, pulse, or Modbus output.

PART NUMBER GUIDES

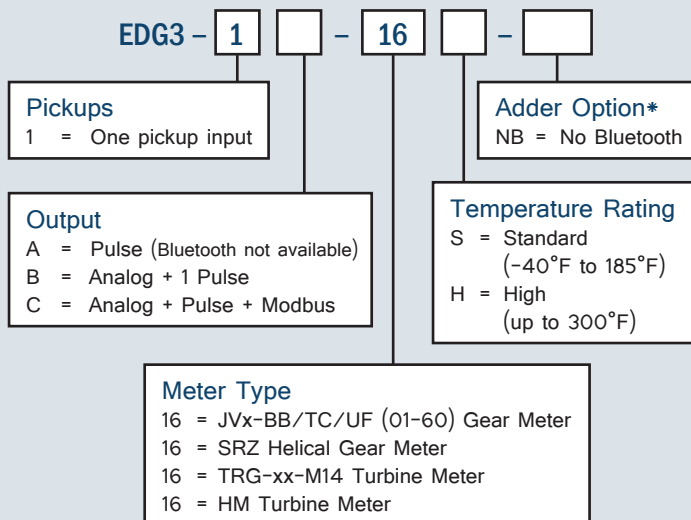
STANDARD THREAD-IN STYLE



FLUSH-MOUNT STYLE



M14 THREAD-IN STYLE



*Bluetooth can be disabled for an additional charge upon request.
Products may be subject to change without notice -
Contact factory for the most up-to-date product information.