


PT-500 Analog Output Series User Manual

4-20 mA, 0-5 VDC, 0-10 VDC, mV/V

Table of Contents

Introduction	iii
Warranty and Warranty Restrictions	iv
Chapter 1: Specifications and Options	1
Dimensions	1
Specifications	2
Model Number Configurator.....	3
Electrical Pinout Table and Supply Power Table.....	4
Chapter 2: Installation and Removal Procedures and Notes	4
Tools Needed.....	4
Mounting Instructions	4
Electrical Installation	5
Removal Instructions	5
Chapter 3: Maintenance	5
General Care	5
Zero Adjust	6
Vent Tube Drying.....	6
Repair and Returns.....	7
Chapter 4: Hazardous Location Installation and Certification	8
Intrinsically Safe Wiring Diagram	8
Non-Incendive Wiring Diagrams.....	9
CSA Certificate of Compliance	10-13

 **NOTE:** Wiring and CSA Certification information in this User Manual is specific to the Analog Output Series of the PT-500. If you have a Modbus Series sensor, please consult the factory at 1-888-525-7300, or our website at www.apgsensors.com/support, for the appropriate manual for your sensor.

Introduction

Thank you for purchasing a PT-500 Analog Output series submersible pressure transmitter from APG. We appreciate your business! Please take a few minutes to familiarize yourself with your PT-500 and this manual.

PT-500 submersible pressure transmitters offer reliability in harsh industrial conditions and hazardous locations. The 4-20 mA model is certified intrinsically safe for hazardous areas in the US and Canada by CSA for Class I, Division 2, Groups C and D, Class I, Zone 2, Group IIB, and Class I, Division 1, Groups C and D, Class I, Zone 0, Group IIB environments. The small size, integrated electronics, wide operating temperature range, and durability make the PT-500 the perfect instrument for static and dynamic pressure measurement.

Reading your label

Every APG instrument comes with a label that includes the instrument's model number, part number, serial number, and a wiring pinout table. Please ensure that the part number and pinout table on your label match your order. The following electrical ratings and approvals are also listed on the label. Please refer to the Certificate of Compliance at the back of this manual for further details.

Electrical ratings



Input: 10 to 28 Volts DC; Output: 4-20 mA
Exia Class I, Division 2; Groups C, D T4
Class I, Zone 2, Group IIB
AEx nC IIB T4: Ta: -40°C to 85°C
Ex nL IIB T4: Ta: -40°C to 85°C
Maximum Working Pressure: 10,000 PSI

$V_{max} U_i = 28VDC$, $I_{max} I_i = 110mA$, $P_{max} P_i = 0.77W$, $C_i = 0\mu F$, $L_i = 0\mu H$
Install in accordance with drawing 9002803, sheet 2 (page 9).



Input: 9 to 28 Volts DC; Output: 4-20mA
Exia Class I, Division 1; Groups C, D T4
Class I, Zone 0, Group IIB
AEx ia IIB T4: Ta: -40°C to 85°C
Ex ia IIB T4: Ta: -40°C to 85°C
Maximum Working Pressure: 10,000 PSI

$V_{max} U_i = 28VDC$, $I_{max} I_i = 110mA$, $P_{max} P_i = 0.77W$, $C_i = 0.042\mu F$, $L_i = 0.320\mu H$
Install in accordance with drawing 9002803, sheet 1 (page 8).

i IMPORTANT: Your 4-20 mA PT-500 MUST be installed according to drawing 9002803 (Intrinsically Safe Wiring Diagram or Non-Incendive Wiring Diagram) as indicated above to meet listed approvals. Faulty installation will invalidate all safety approvals and ratings.

Warranty and Warranty Restrictions

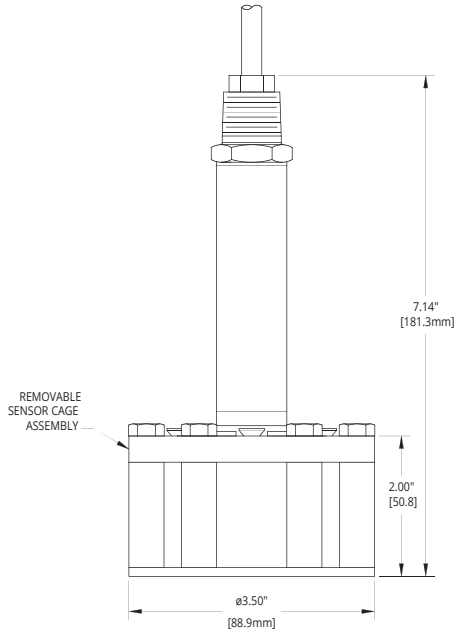
This product is covered by APG's warranty to be free from defects in material and workmanship under normal use and service of the product for 24 months. For a full explanation of our Warranty, please visit <https://www.apgsensors.com/about-us/terms-conditions>. Contact Technical Support to receive a Return Material Authorization before shipping your product back.

Scan the QR code below to read the full explanation of our Warranty on your tablet or smartphone.

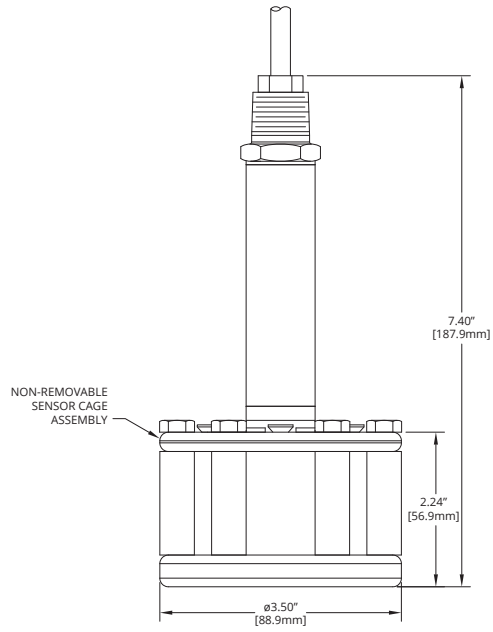


Chapter 1: Specifications and Options

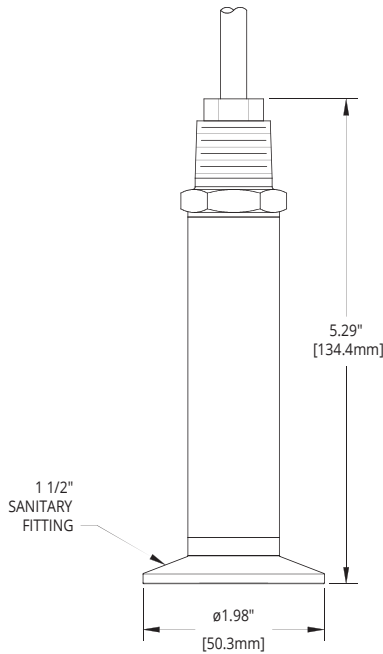
- Dimensions



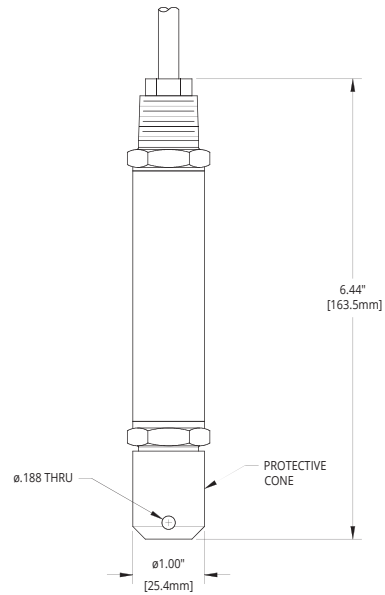
PT-500 with Reusable Cage



PT-500 with Welded Anti-slag Cage



PT-500 with Tri-clover Sanitary Fitting



PT-500 with Removable Plastic Nose Cone

• Specifications

Performance

Pressure Ranges	0 to 300 PSIG
Analog Outputs	4-20mA, 0-5VDC, 0-10VDC, mV/V
Over Pressure	2X FSO
Burst Pressure	3.0X FSO
1 Year Stability	0.75% FSO

Accuracy

Linearity, Hystereses & Repeatability	±0.25% of Full Scale (BFSL) up to ±0.1% of Full Scale
Thermal Zero Shift @ 70 °F	±0.045% FSO/°C (±0.025% FSO/°F)
Thermal Span Shift @ 70 °F	±0.045% FSO/°C (±0.025% FSO/°F)

Environmental

Operating Temperature	-40 to 85°C (-40 to 185°F)
Compensated Temperature	-17 to 54°C (0 to 130°F)
Maximum Submersible Depth	462.2 ft / 140.88 m / 300 psig

Electrical

Supply Voltage (at sensor)	4-20 mA: 9-28 VDC	0-10 VDC: 14-28 VDC
	0-5 VDC: 9-28 VDC	mV/V: 10 VDC*
Output Signal @ 21°C	3-30 mA max.	
Protection	Reverse Polarity and Surge (per IEC 61000-4-5)	
Load Limitation	$R_{(max)} = ((V_s - 12V)/0.02A) - (0.042\Omega \text{ per ft. of cable})$	
Startup Time	4-20 mA: 100 ms	0-10 VDC: 300 ms
	0-5 VDC: 300 ms	
Current Draw	4-20 mA: 3-30 mA	0-10 VDC: 3 mA
	0-5 VDC: 3 mA	

Materials of Construction

Wetted Materials	316L Stainless Steel
Anti-s snag Cage	316L Stainless Steel
Cable	Urethane, PVC, or Hytrel
Protective Nose Cone	Delrin
Seal	Viton ETP-s

Mechanical

Pressure Connection	See model number configurator for complete list
Cable Tensile Strength	Up to 200 pounds

Patents

US Patent No. 7,787,330

*mV/V output is calibrated to 10 VDC input.

- **Electrical Pinout Table and Supply Power Table**

PT-500 Analog Output Series Pin Out Table

Pigtail		4-20 mA	Voltage
	Red	+ Power/Signal	+ Power
	Black	- Power/Signal	- Power
	Green	-	+ Out
	White	-	- Out
	Shield	Case Gnd	Case Gnd

PT-500 Analog Output Series Supply Power Table

	4-20 mA	0-5 VDC	0-10 VDC	mV/V
Power Supply	9-28 VDC	9-28 VDC	14-28 VDC	10 VDC*

* mV/V output calibrated to 10 VDC input

Chapter 2: Installation and Removal Procedures and Notes

- **Tools Needed**

- Wrench sized appropriately for your PT-500's process or conduit connection.
- Thread tape or sealant compound for threaded connections.


- **Mounting Instructions**

Your PT-500 can be mounted in three ways: via NPT process connection, free-hanging suspension, or conduit mounted. Mounting your pressure transducer is easy if you follow a few simple steps:

- Never over-tighten the sensor. This can compress the diaphragm, changing how it reacts to pressure. In all cases, tighten the sensor as little as possible to create an adequate seal. On straight threads, tighten only until you feel the o-ring compress - making sure you don't damage or extrude the o-ring.
- Always use thread tape or sealant compound on tapered threads. Wrap thread tape in the opposite direction of the threads so it does not unravel as you screw the sensor into place. Unraveling can cause uneven distribution and seal failure. For straight threads use an o-ring.
- Always start screwing in your sensor by hand to avoid cross-threading. Thread failure can be a problem if you damage threads by over-tightening them or by crossing threads.
- For suspension mounting the PT-500, drill a 3/16" hole into the 1/2" NPTF to 1/2" NPTF hex coupler (P/N 511414) and secure it to the 1/2" NPTM coupler fitting of the PT-500. Attach a .060" diameter 316L SS cable of desired length to the hex coupler and secure the steel cable according to your application requirements.

- **Electrical Installation**

- Attach the wires of your PT-500 to your control system according to the pinout table above.

 **NOTE:** If your PT-500 has a vent tube, do not seal, cover, or close the vent tube with anything other than an APG-provided venting cap or desiccant drying cartridge (See Figure 4.1 and 4.2). Unapproved seals or covers will prevent proper sensor operation.

• **Removal Instructions**

Removing your PT-500 from service must be done with care. It's easy to create an unsafe situation, or damage your sensor, if you are not careful to follow these guidelines:

- For sensors installed via NPT process connection, make sure the pressure is completely removed from the line or vessel. Follow any and all procedures for safely isolating any media contained inside the line or vessel.
- Remove the sensor with an appropriately sized wrench (per your process connection).
- For suspended sensors, retrieve the sensor from the vessel. Follow any and all procedures for safely isolating any media contained inside the line or vessel.
- Carefully clean the sensor's fitting and diaphragm of any debris (see General Care) and inspect for damage.
- Store your sensor in a dry place, at a temperature between -40° F and 180° F.


 **DANGER:** Removing your process connected PT-500 Pressure Transmitter while there is still pressure in the line could result in injury or death.

Chapter 3: Maintenance

• **General Care**

Your PT-500 series pressure transmitter is very low maintenance and will need little care as long as it is installed correctly. However, in general, you should:

- For process connected sensors, keep the transmitter and the area around it generally clean.
- Avoid applications for which the transmitter was not designed, such as extreme temperatures, contact with incompatible corrosive chemicals, or other damaging environments.
- Inspect the threads whenever you remove the transmitter from duty or change its location.
- Avoid touching the diaphragm. Contact with the diaphragm, especially with a tool, could permanently shift the output and ruin accuracy.
- Clean the diaphragm or the diaphragm bore only with extreme care. If using a tool is required, make sure it does not touch the diaphragm.

 **IMPORTANT:** Any contact with the diaphragm can permanently damage the sensor. Use extreme caution.

- **Zero Adjust (4-20 mA, 0-5 VDC, and 0-10 VDC only)**

The zero output (4mA, or 0 VDC) can be adjusted by holding a magnet perpendicular to the can, approximately 1-1/2" from the top or bottom of the can.

Holding the magnet close to the top of the can increases the output (See Figure 3.1). Holding the magnet close to the bottom of the can decreases the output (See Figure 3.2).

If the zero output values do not change right away, hold the magnet in place near the top of the can until the values change, for up to two minutes. If there is no change, repeat the procedure near the bottom of the can. If there is still no change, consult the factory.

Unvented PT-500A transmitters do not automatically adjust to changes in barometric pressure. We recommend that PT-500A transmitters be zeroed upon receipt, and after major weather events.



Figure 3.1



Figure 3.2

 **NOTE:** Span calibration must be done at the factory for all analog models.

- **Vent Tube Drying**

Condensation in the vent tube can damage the electronics in your sensor, resulting in unreliable readings. APG offers two methods of preventing vent tube condensation: a venting cap, and a desiccant drying cartridge.

The venting cap is a PVC tube with a hydrophobic patch that allows moisture to pass out of the tube without allowing water in (See Figure 3.3). The cap is sealed by an o-ring, and is easily installed in the field.

The desiccant drying cartridge with vent tube adapter absorbs any moisture in the vent tube to keep vapor from condensing (See Figure 3.4). The installation of the desiccant drying cartridge is quick and easy. Common installation methods are cable tie, Velcro, and cable clamps.



Figure 3.3



Figure 3.4

NOTE: Desiccant crystals change from blue to pink as they become saturated. Cartridge must be replaced when all crystals have saturated.

IMPORTANT: Do NOT use desiccant cartridge in the presence of vapors or liquids containing phosphate esters, synthetic lubricants, hydrocarbon solvents, methanol, acetone, lacquer solvents, or other organics.

• Repair and Returns

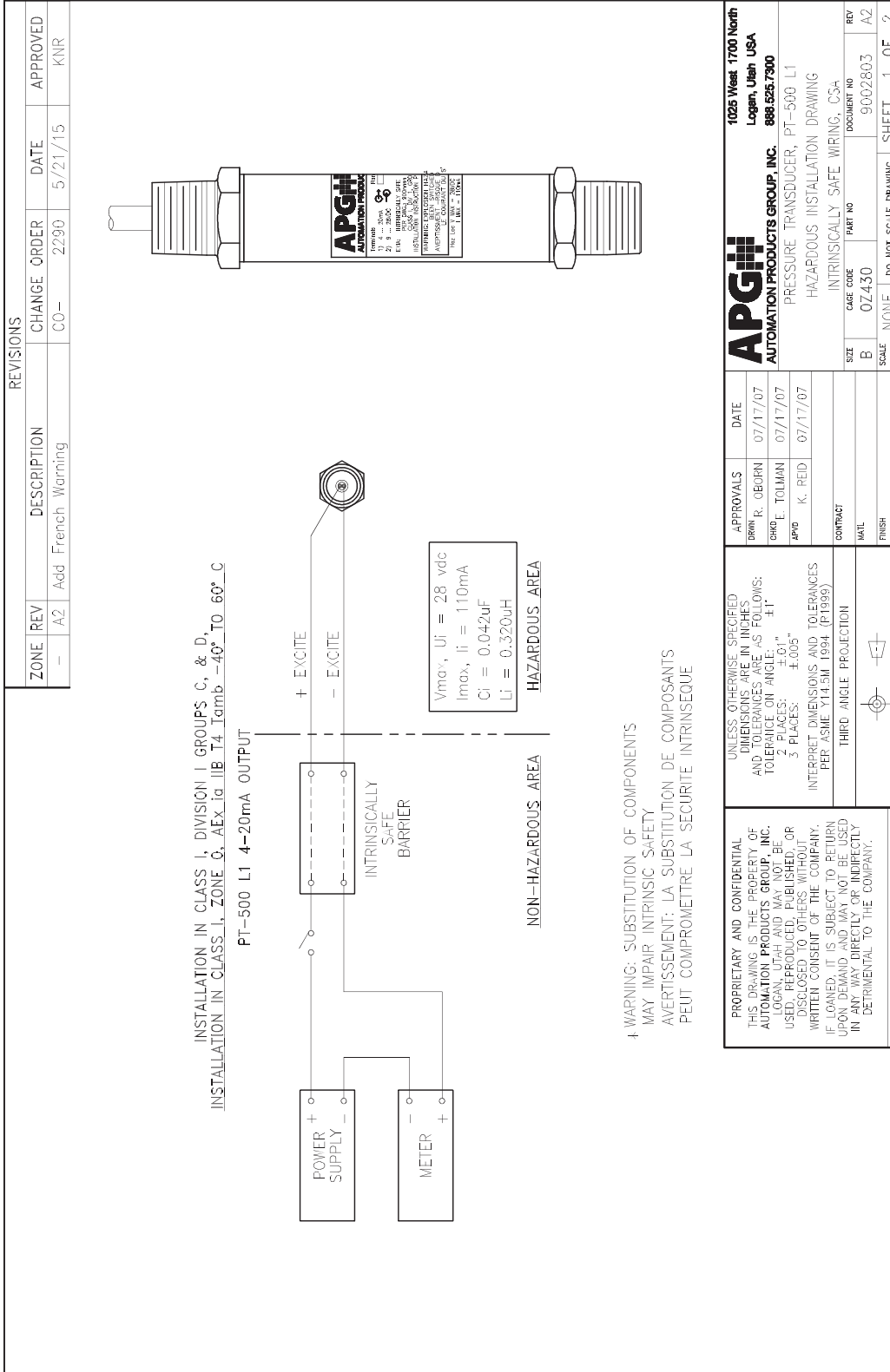
Should your PT-500 series pressure transmitter require service, please contact the factory via phone, email, or online chat. We will issue you a Return Material Authorization (RMA) number with instructions.

- Phone: 888-525-7300
- Email: sales@apgsensors.com
- Online chat at www.apgsensors.com

Please have your PT-500's part number and serial number available. See Warranty and Warranty Restrictions for more information.

Chapter 4: Hazardous Location Installation and Certification

- Intrinsically Safe Wiring Diagram



• **Non-Incendive Wiring Diagram**

REVISIONS			
ZONE	REV	DESCRIPTION	CHANGE ORDER
—	A2	Add French warning	2290
			DATE
			05/21/15
			APPROVED
			k Reid

NONINCENDIVE WIRING FOR INSTALLATION IN
CLASS 1 DIVISION 2 GROUPS C, & D
CLASS I, ZONE 0, AEx ia IIB T4 Tamb. -40° TO 60° C
PT-500 L1 4-20mA OUTPUT

HAZARDOUS AREA

NON-HAZARDOUS AREA

HAZARDOUS AREA

* WARNING: SUBSTITUTION OF COMPONENTS
MAY IMPAIR INTRINSIC SAFETY
AVERTISSEMENT: LA SUBSTITUTION DE COMPOSANTS
PEUT COMPROMETTRE LA SECURITE INTRINSEQUE

UNLESS OTHERWISE SPECIFIED
DIMENSIONS ARE IN INCHES
AND TOLERANCES ARE AS FOLLOWS:
DIMENSIONS ON ANGLES ±1°
3 PLACES ±.005"
INTERPRET DIMENSIONS AND TOLERANCES
PER ASME Y14.5M 1994 (P1999)

APPROVALS	DATE				
BROWN R. OGIORN	07/17/07				
CHRIS L. TOLLMAN	07/17/07				
APVD K. REID	07/17/07				
CONTRACT					
MAIL					
FINISH					

SIZE	CASE CODE	PART NO	DOCUMENT NO	REV
B	0Z430		9002803	A2
SCALE	NONE	DO NOT SCALE DRAWING	SHEET	2 OF 2

PROPRIETARY AND CONFIDENTIAL
THIS DRAWING IS THE PROPERTY OF
AUTOMATION PRODUCTS GROUP, INC.
LOGAN, UTAH AND MAY NOT BE
USED, REPRODUCED, PUBLISHED, OR
DISCLOSED TO OTHERS WITHOUT
WRITTEN CONSENT OF THE COMPANY.
IF LOANED, IT IS SUBJECT TO RETURN
UPON DEMAND, AND MAY NOT BE USED
IN ANY WAY DIRECTLY OR INDIRECTLY
DETRIMENTAL TO THE COMPANY.

1025 West 1700 North
Logan, Utah USA
888.525.7300
AUTOMATION PRODUCTS GROUP, INC.
PRESSURE TRANSDUCER, PT-500 L1
HAZARDOUS INSTALLATION DRAWING
NONINCENDIVE WIRING, CSA

- **CSA Certificate of Compliance**



Certificate of Compliance

Certificate: 1984045

Master Contract: 237484

Project: 2587208

Date Issued: December 17, 2012

Issued to: Automation Products Group Inc

1025 West 1700 North
Logan, UT 84321
USA
Attention: Karl Reid

The products listed below are eligible to bear the CSA Mark shown with adjacent indicators 'C' and 'US' for Canada and US or with adjacent indicator 'US' for US only or without either indicator for Canada only.



Eshwar Kashyap

Issued by: Eshwar Kashyap

PRODUCTS

CLASS 2258 03 - PROCESS CONTROL EQUIPMENT - Intrinsically Safe and Non - Incendive Systems - For Hazardous Locations

CLASS 2258 83 - PROCESS CONTROL EQUIPMENT-Intrinsically Safe and Non-Incendive - Systems-For Hazardous Locations-Certified to U.S. Standards

Class I, Div. 2, Groups C and D

Class I, Zone 2, Group IIB

Ex nL IIB T4; Ta: -40°C ... +85°C

AEx nC IIB T4; Ta: -40°C ... +85°C

- Model PT-400-L1xxxx Pressure Transmitter. Rated 9-28VDC, 4-20mA. Maximum Ambient 85° C; Temperature Code T4; Maximum Working Pressure 10,000 PSI. Enclosure type: IP65. Installed as per Drawing 9002794. Non-Incendive with the following Entity Parameters:

Vmax, Ui = 28V

Imax, Ii = 110mA

Pmax, Pi = 0.77W



Certificate: 1984045

Master Contract: 237484

Project: 2587208

Date Issued: December 17, 2012

$C_i = 0.055\mu\text{F}$

$L_i = 7.95\mu\text{H}$

- Model PT-400-L3/L10xxxx Pressure Transmitter. Rated 9-28VDC, 4-20mA or 0-5V, 20mA or 0-10V, 20mA; Maximum Ambient 85° C; Temperature Code T4; Maximum Working Pressure 10,000 PSI. Installed as per Drawing 9002794. Non-Incendive with the following Entity Parameters:

$V_{\text{max}}, U_i = 28\text{V}$

$I_{\text{max}}, I_i = 110\text{mA}$

$P_{\text{max}}, P_i = 0.77\text{W}$

$C_i = 0\mu\text{F}$

$L_i = 0\mu\text{H}$

- Model PT-500-xxxx Pressure Transmitter, Rated 10-28VDC, 4-20mA; Maximum Ambient 85° C; Temperature Code T4; Maximum Working Pressure 10,000 PSI; Non-Incendive with the following Entity Parameters:

$V_{\text{max}}, U_i = 28\text{V}$

$I_{\text{max}}, I_i = 110\text{mA}$

$P_{\text{max}}, P_i = 0.77\text{W}$

$C_i = 0\mu\text{F}$

$L_i = 0\mu\text{H}$

Notes for Models PT-400, PT-500:

1. The "x" in the Model designations may be any alpha-numeric character, to denote minor mechanical options, not affecting safety.
2. These devices must be connected to a suitably certified and approved apparatus that provides non-incendive outputs either equal to or less than those as indicated by the applicable control drawings. This certified apparatus must be located in a safe area.

CLASS 2258 04 - Process Control Equipment - Intrinsically Safe, Entity - For Hazardous Locations



Certificate: 1984045

Master Contract: 237484

Project: 2587208

Date Issued: December 17, 2012

CLASS 2258 84 - Process Control Equipment - Intrinsically Safe, Entity - For Hazardous Locations - Certified to US Standards

Class I, Div. 1, Groups C, D

Class I, Zone 0, Group IIB

Ex ia IIB T4; Ta: -40°C ... +85°C

AEx ia IIB T4; Ta: -40°C ... +85°C

- Model PT-400-L1xxxx Pressure Transmitter. Rated 9-28VDC, 4-20mA. Maximum Working Pressure: 10,000 PSI. Installed as per Drawing 9002794. Ambient Range: -40°C to +85°C. Enclosure type: IP65. Intrinsically safe with the following entity parameters:

$V_{max}, U_i = 28V$

$I_{max}, I_i = 110mA$

$P_{max}, P_i = 0.77W$

$C_i = 0.055\mu F$

$L_i = 7.95\mu H$

- Model PT-500-xxxx Pressure Transmitter; Maximum Ambient 85° C; Temperature Code T4; Maximum Working Pressure 10,000 PSI; Entity parameters as follows: $V_{max}, U_i = 28V$

$I_{max}, I_i = 110mA$

$P_{max}, P_i = 0.77W$

$C_i = 0.042\mu F$

$L_i = 0.320\mu H$

Notes for Models PT-400, PT-500:

1. The "x" in the Model designations may be any alpha-numeric character, to denote minor mechanical options, not affecting safety.
2. These devices must be connected to a NRTL approved safety barrier (located in a safe area).



Certificate: 1984045

Master Contract: 237484

Project: 2587208

Date Issued: December 17, 2012

APPLICABLE REQUIREMENTS

C22.2 No 0 - M1991	General Requirements - Canadian Electrical Code Part II.
C22.2 No 0.4 - M2004	Bonding and Grounding of Electrical Equipment (Protective Grounding).
C22.2 No 142 - M1987	Process Control Equipment.
C22.2 No 157 - M1992	Intrinsically Safe and Non-Incendive Equipment for Use in Hazardous Locations.
C22.2 No 213 - M1987	Non-Incendive Electrical Equipment for Use in Class I, Division 2 Hazardous Locations.
CAN/CSA-C22.2 No. 60079-0:11	Explosive Atmospheres - Part 0: Equipment - General requirements
CAN/CSA-C22.2 No. 60079-11:11	Explosive Atmospheres – Part 11: Equipment protection by intrinsic safety "i"
CAN/CSA-C22.2 No. 60079-15:12	Electrical apparatus for explosive gas atmospheres - Part 15: Construction, test and marking of type of protection "n" electrical apparatus
CAN/CSA-C22.2 No. 60529:05	Degrees of protection provided by enclosures (IP Code)
UL 508, 17th Edition	Industrial Control Equipment.
UL 913, 7th Edition	Intrinsically Safe Apparatus and Associated Apparatus for use in Class I, II, III, Division 1, Hazardous (Classified) Locations.
ANSI/ISA-12.12.01-2007	Nonincendive Electrical Equipment for Use in Class I and II, Division 2 and Class III, Divisions 1 and 2 Hazardous (Classified) Locations
ANSI/UL 60079-0:09	Electrical Apparatus for Explosive Gas Atmospheres - Part 0: General Requirements
ANSI/UL 60079-11:09	Electrical apparatus for Explosive Gas Atmospheres - Part 11: Intrinsic Safety "i"
ANSI/UL 60079-15:09	Electrical apparatus for Explosive Gas Atmospheres - Part 15: Type of Protection "n"
ANSI/IEC 60529:2004	Degrees of Protection Provided by Enclosures (IP Code)



Automation Products Group, Inc.

Tel: 1/888/525-7300 • Fax: 1/435/753-7490 • www.apgsensors.com • sales@apgsensors.com