

Thank You

Thanks for purchasing a Hammer Union Pressure Transmitter from us! We appreciate your business and your trust. Please take a moment to familiarize yourself with the product and this manual before installation. If you have any questions, at any time, don't hesitate to call us at 888-525-7300.

NOTE: Scan the QR code to the right to see the full user manual on your tablet or smartphone. Or visit www.apgsensors.com/support to find it on our website.



Table of Contents

1. Description	5. Mounting Instructions	9. Repair & Return Information
2. How To Read Your Label	6. Wiring Information	10. Removal Instructions
3. Warranty	7. Calibration Shunt Procedure	11. Hazardous Location Wiring
4. Dimensions	8. General Care	

1 Description

APG's Hammer Union Pressure Transmitter is extremely rugged and designed for the environments of land-based and offshore drilling installations. It is certified intrinsically safe for hazardous areas in the US, Canada, Europe and internationally by CSA, ATEX, and IECEx for Class I, Zone 0, and Class II, Division 1, Groups C and D environments.

2 How To Read Your Label

Each label comes with a full model number, a part number, and a serial number. The model number for your Hammer Union Pressure Transmitter will look something like this:

▲ SAMPLE: HU-L24-10K-E2-P34-K0

The model number correlates with all the configurable options and tells you exactly what you have. Compare the model number to the options on the datasheet to identify your exact configuration. You can also call us with the model, part, or the serial number and we can help you.

The label also includes the pinout.

You will also find all hazardous certification information on the label.

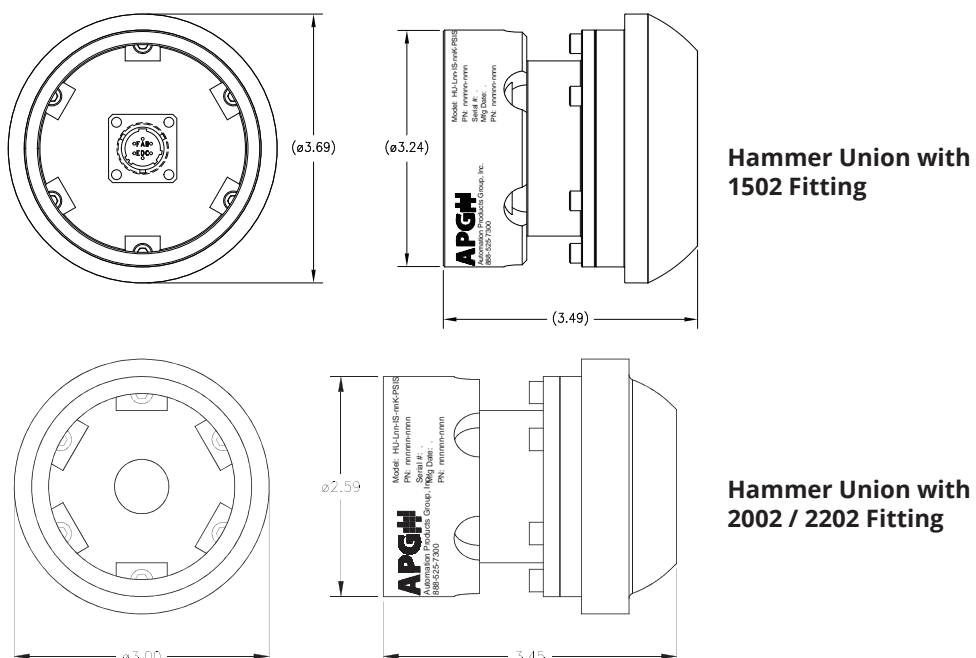
3 Warranty

This product is covered by APG's warranty to be free from defects in material and workmanship under normal use and service of the product for 24 months. For a full explanation of our Warranty, please visit <https://www.apgsensors.com/about-us/terms-conditions>. Contact Technical Support to receive a Return Material Authorization before shipping your product back.

Scan the QR code below to read the full explanation of our Warranty on your tablet or smartphone.



4 Dimensions



Hammer Union Pressure Transmitters

Installation Guide

For The HU-L24 & HU-L27



Automation Products Group, Inc.
1025 W 1700 N Logan, UT 84321
www.apgsensors.com | phone: 888-525-7300 | email: sales@apgsensors.com

Doc #9004050 Rev B
Part #122950-0002

5 Mounting Instructions

Mounting your pressure transducer is easy if you follow a few simple steps:

- Ensure mating union faces are clean, dry, and free of debris.
- Place Hammer Union Pressure Transmitter in socket.
- Place Hammer Union wing nut on transmitter and tighten into place.
- Hammer wing nut until tight.

DANGER: Mismatched unions and nuts can result in dangerous or hazardous equipment failures. Always check identifications on both union pieces and nuts prior to installation. Only use pieces with matching union figure numbers, sizes, and pressure ratings.

6 Wiring Information

The label on your Hammer Union Pressure Transmitter includes the pinout table for your device. Check that your electrical system wiring matches the pinout table on your device prior to electrical installation.

IMPORTANT: Refer to section 11 for Hazardous Location Wiring.

IMPORTANT: Hammer Union Pressure Transmitter MUST be installed according to drawing 9002460 (Intrinsically Safe Wiring Diagram) to meet listed approvals. Faulty installation will invalidate all safety approvals and ratings.

7 Calibration Shunt Procedure

APG's Hammer Union Pressure Transmitters provide a true 20.0 mA calibration shunt output when 10 to 28 VDC is applied to the designated + Shunt Cal pin. See the pinout chart on your Hammer Union Pressure Transmitter's label.

8 General Care

Your Hammer Union Pressure Transmitter is designed to be maintenance free. As such, there are no customer serviceable parts on or in the device. However, in general, you should:

- Avoid touching the diaphragm. Contact with the diaphragm, especially with a tool, could permanently shift the output and ruin accuracy.
- Clean the diaphragm or the diaphragm bore only with extreme care. If using a tool is required, make sure it does not touch the diaphragm.

9 Repair & Return Information

If your pressure transmitter needs repair, contact us via email, phone, or online chat on our website. We will issue you an RMA number with instructions.

- Phone: 888-525-7300
- Email: sales@apgsensors.com
- Online chat at www.apgsensors.com

IMPORTANT: All repairs and adjustments of the Hammer Union Pressure Transmitter must be made by the factory. Modifying, disassembling, or altering the Hammer Union Pressure Transmitter on site is strictly prohibited.

10 Removal Instructions

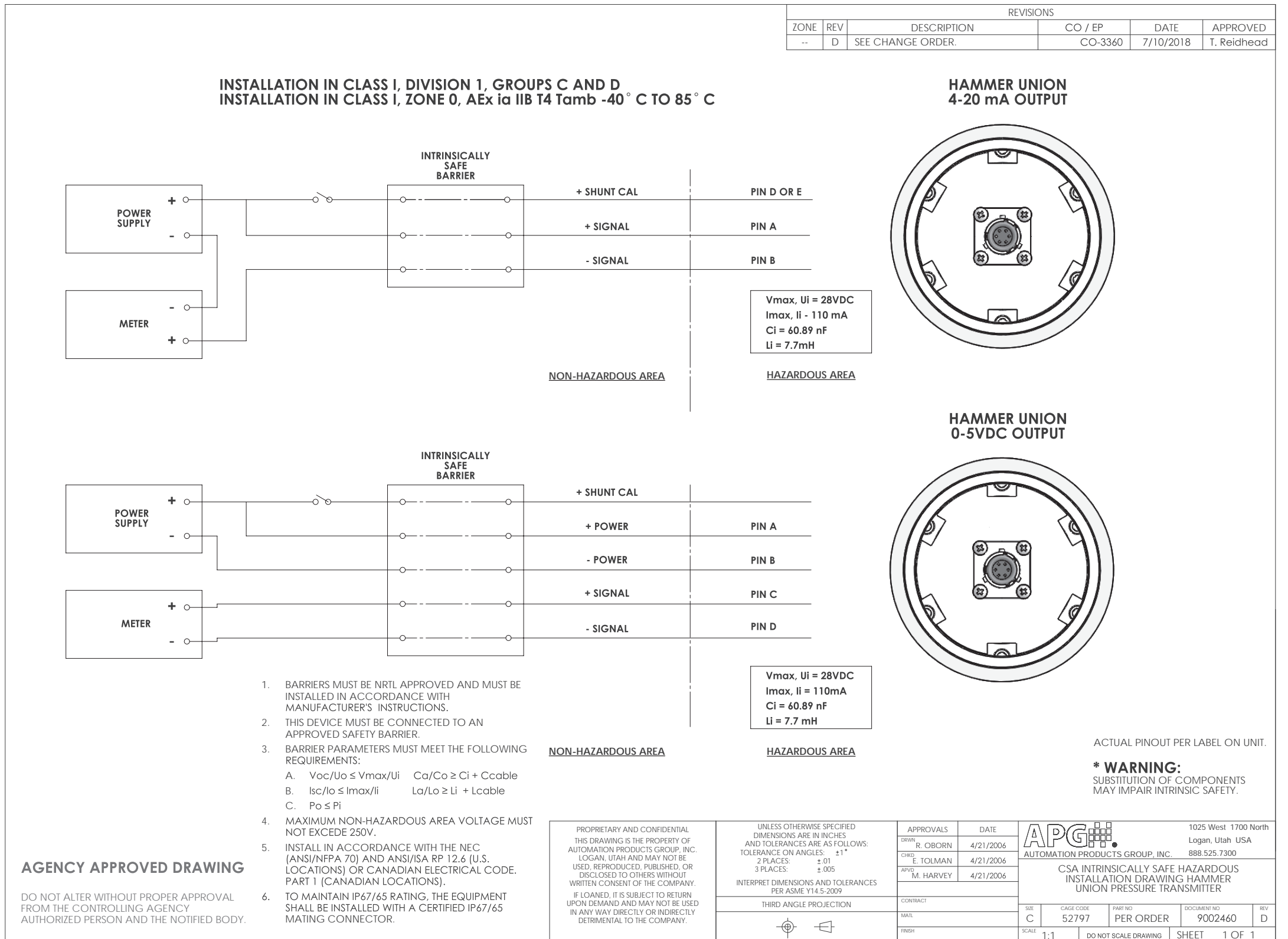
Removing your Hammer Union Pressure Transmitter from service must be done with care. It's easy to create an unsafe situation if you are not careful to follow these guidelines:

- Make sure the pressure is completely removed from the line where your sensor is installed. Follow any and all procedures for safely isolating any media contained inside the line.
- Remove the Hammer Union wing nut.
- Remove your Hammer Union Pressure Transmitter.
- Clean the sensor's fitting and diaphragm of any debris (see instructions in Section 8 above) and inspect for damage.
- Store your sensor in a dry place, at a temperature between -40° F and 180° F.

DANGER: Removing your Hammer Union Pressure Transmitter while there is still pressure in the line could result in injury or death.

11 Hazardous Location Wiring

Intrinsically Safe Wiring (4-20mA / 0-5VDC Output)



ACTUAL PINOUT PER LABEL ON UNIT.

*** WARNING:**
SUBSTITUTION OF COMPONENTS
MAY IMPAIR INTRINSIC SAFETY.