

# AC Current Probe Model MN03



Small and compact, the AC Current Probe Model MN03 is the ideal complement for any multimeter to measure AC currents in low-power secondary or industrial applications.

When used with an AC voltmeter, it allows you to directly read the current measured on the voltmeter.

## Features

- Small, compact size
- Measurement range of 1 to 100AAC
- Jaw opening accommodates conductors up to 0.39" diameter
- Designed for DMMs, loggers, recorders and oscilloscopes
- 40Hz to 10kHz response
- 1mV<sub>AC</sub>/A<sub>AC</sub> output signals
- Designed to EN 61010, 600V CAT III safety standard
- Double Insulation
- CE Mark

## Applications

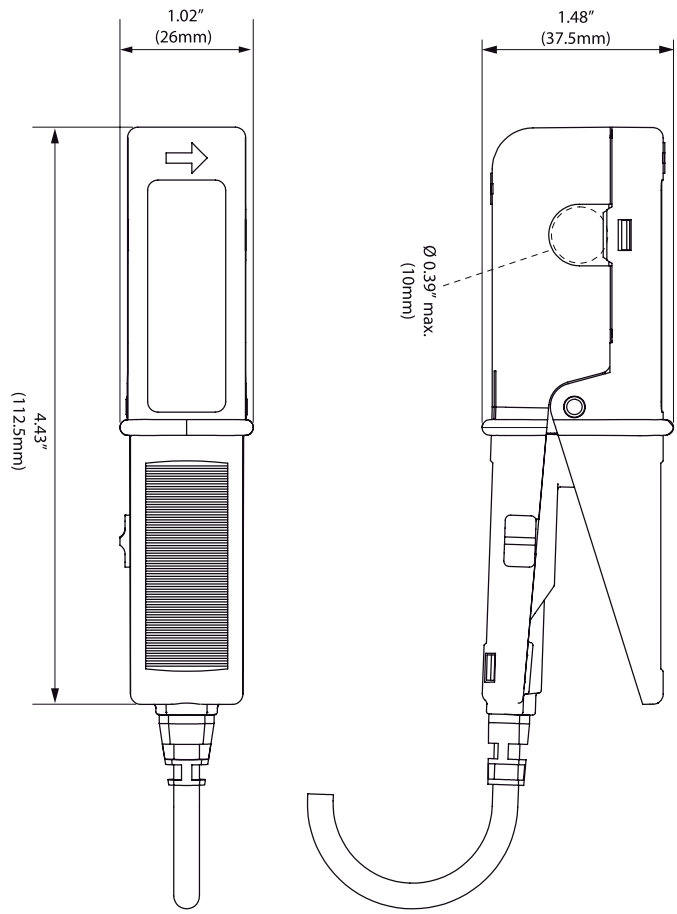
- Measuring in breaker panels
- Industrial loads
- HVAC
- Residential and commercial sites
- Data logging/recording

## Specifications

MODEL	MN03
<b>ELECTRICAL</b>	
Range	100A
Measurement Range	1 to 100A
Accuracy in %	≤ 2% + 50mA
Phase Shift	Not specified
Output Signal	1 mV <sub>AC</sub> /A <sub>AC</sub> (100mV at 100A)
Maximum Currents	1 < 150A permanent from 48Hz to 500Hz
Influence of Temperature	≤ 0.2% per 10K
Influence of Adjacent Conductor	≤ 2mA/A at 50Hz
Influence of Adjacent Conductor Position in Jaws	≤ 0.1% at 50/60Hz
Influence of Frequency	≤ 2% from 65Hz to 500Hz
<b>MECHANICAL</b>	
Operating Temperature	14° to 122°F (-10° to +50°C)
Storage Temperature	-40° to 176°F (-40° to 80°C)
Operating Relative Humidity	0 to 85% RH decreasing linearly above 35°C
Operating Altitude	0 to 2000m
Casing Protection Rating (leak-proofing)	IP40 <sup>(2)</sup> (EN 60529 Ed. 1995)
Fall Height	4.92 ft (1.5m) (IEC 68-2-32)
Shock Protection	3.52 oz (100g)/6ms/half-period (IEC 68-2-27)
Self-extinguishing Capability	casing UL94 V2
Vibration Resistance	IEC 68-2-6
Dimensions	4.43 x 1.48 x 1.02" (112.5 x 37.5 x 26mm)
Weight	approx. 6.35 oz (180g)
<b>SAFETY</b>	
Electrical	EN 61010-1, 600V CAT III, Pollution Degree 2
Double Insulation <input type="checkbox"/>	Yes
CE Mark	Yes

(1) Conditions of reference: 23°C ± 3°K, 20 to 75% RH, sinusoidal signal with frequency of 48 to 500Hz, distortion factor < 1% with no DC component, external DC magnetic field < 40A/m, no external AC magnetic field, no external conductor with circulating current, conductor centered for measurement, measurement instrument load impedance ≥ 1MΩ (10A calibre) & ≥ 10kΩ (100A calibre).

(2) With clamp closed.



**Safety Leads:**  
 Double/reinforced  
 insulated 5 ft (1.5m)  
 lead with 4mm  
 safety banana plug

ORDERING INFORMATION	CATALOG NO.
AC Current Probe Model MN03 (100A, 1mV/A, Lead) . . . . .	Cat. #2129.18
Includes a user manual	
<b>Accessories (Optional)</b>	
Adapter - 4mm Non-insulated for Safety Leads . . . . .	Cat. #1017.45

## Contact Us

### United States & Canada:

Chauvin Arnoux<sup>®</sup>, Inc.  
d.b.a. AEMC<sup>®</sup> Instruments  
200 Foxborough Blvd.  
Foxborough, MA 02035 USA  
(508) 698-2115 • Fax (508) 698-2118  
[www.aemc.com](http://www.aemc.com)

**Customer Support – for placing an order, obtaining price & delivery:**  
[customerservice@aemc.com](mailto:customerservice@aemc.com)

**Sales Department – for general sales information:**  
[sales@aemc.com](mailto:sales@aemc.com)

**Repair and Calibration Service – for information on repair & calibration, obtaining a user manual:**  
[repair@aemc.com](mailto:repair@aemc.com)

**Technical and Product Application Support – for technical and application support:**  
[techinfo@aemc.com](mailto:techinfo@aemc.com)

**Webmaster – for information regarding [www.aemc.com](http://www.aemc.com):**  
[webmaster@aemc.com](mailto:webmaster@aemc.com)

### South America, Central America, Mexico, Caribbean, Australia & New Zealand:

Chauvin Arnoux<sup>®</sup>, Inc.  
d.b.a. AEMC<sup>®</sup> Instruments  
15 Faraday Drive  
Dover, NH 03820 USA  
(978) 526-7667 • Fax (978) 526-7605  
[export@aemc.com](mailto:export@aemc.com)  
[www.aemc.com](http://www.aemc.com)

### All other countries:

Chauvin Arnoux<sup>®</sup> SCA  
190, rue Championnet  
75876 Paris Cedex 18, France  
33 1 44 85 45 28 • Fax 33 1 46 27 73 89  
[info@chauvin-arnoux.com](mailto:info@chauvin-arnoux.com)  
[www.chauvin-arnoux.com](http://www.chauvin-arnoux.com)