

Rosemount™ 848T Wireless Temperature Transmitter



WirelessHART



NOTICE

This guide provides basic guidelines for the Rosemount 848T. It does not provide instructions for detailed configuration, diagnostics, maintenance, service, troubleshooting, or installations. Refer to the Rosemount 848T [Reference Manual](#) for more instruction. The manual and this guide are also available electronically on EmersonProcess.com/Rosemount.

⚠ WARNING

Explosions could result in death or serious injury.

Installation of this transmitter in an explosive environment must be in accordance with the appropriate local, national, and international standards, codes, and practices. Review the Product Certifications section for any restrictions associated with a safe installation.

- Before connecting a Field Communicator in an explosive atmosphere, ensure the instruments are installed in accordance with intrinsically safe or non-incendive field wiring practices. Electrical shock can result in death or serious injury.
- Avoid contact with the leads and terminals. High voltage that may be present on leads can cause electrical shock. This device complies with Part 15 of the FCC Rules. Operation is subject to the following conditions. This device may not cause harmful interference. This device must accept any interference received, including interference that may cause undesired operation. This device must be installed to ensure a minimum antenna separation distance of 20 cm from all persons.
- The power module may be replaced in a hazardous area. The power module has surface resistivity greater than one gigaohm and must be properly installed in the wireless device enclosure. Care must be taken during transportation to and from the point of installation to prevent electrostatic charge build-up.

NOTICE

Shipping considerations for wireless products:

The unit was shipped to you without the power module installed. Remove the power module prior to shipping the unit.

Each power module contains two "C" size primary lithium batteries. Primary lithium batteries are regulated in transportation by the U.S. Department of Transportation, and are also covered by IATA (International Air Transport Association), ICAO (International Civil Aviation Organization), and ARD (European Ground Transportation of Dangerous Goods). It is the responsibility of the shipper to ensure compliance with these or any other local requirements. Please consult current regulations and requirements before shipping.

Contents

Wireless considerations..... 3 Reference information..... 10
 Physical installation 5 Product Certifications 12
 Verify operation 8

1.0 Wireless considerations

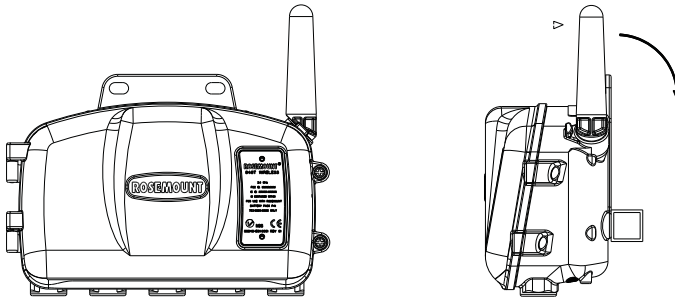
1.1 Power up sequence

The power module should not be installed on any wireless device until the Emerson™ Smart Wireless Gateway (Gateway) is installed and functioning properly. Wireless devices should also be powered up in order of proximity from the Gateway, beginning with the closest. This will result in a simpler and faster network installation. Enable Active Advertising on the Gateway to ensure that new devices join the network faster. For more information see the [Smart Wireless Gateway Reference Manual](#).

1.2 Antenna position

The antenna should be positioned vertically and it should be approximately 3 ft. (1 m) from any large structure, building, or conductive surface to allow for clear communication to other devices.

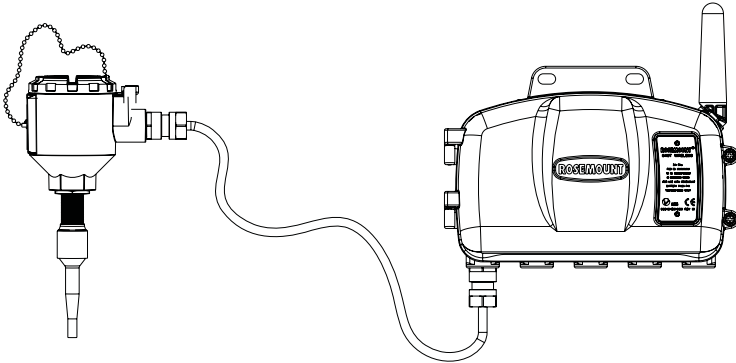
Figure 1. Antenna Position



1.3 Conduit plug

The temporary orange plugs should be replaced with the included conduit plugs using approved thread sealant.

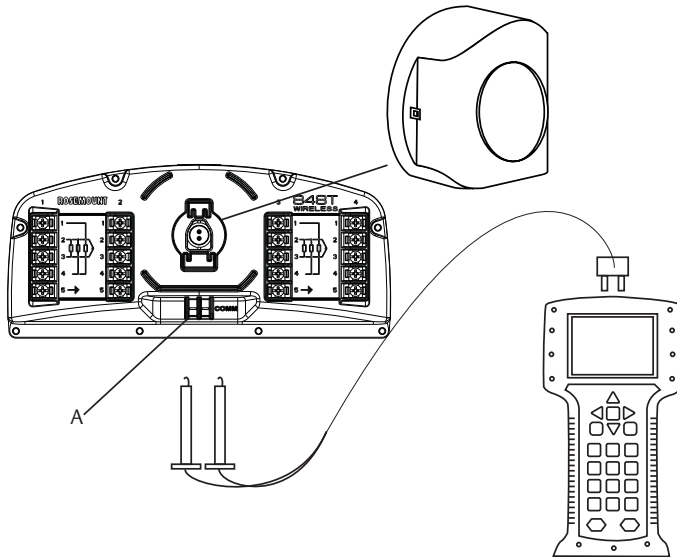
Figure 2. Conduit Plug



1.4 Field Communicator connections

The power module needs to be connected for the Field Communicator to interface with the Rosemount 848T Wireless.

Figure 3. Connection Diagram



A. Maintenance Port

2.0 Physical installation

2.1 Initial configuration

If the device was ordered with a factory configured Network ID and Join Key, it should join the network with no user input. If unsure, the Network ID and the Join Key may be manually entered to match the Gateway's.

The Network ID and Join Key may be obtained from the Gateway on the *Setup>Network>Settings* page on the web server.



The Network ID and Join Key may be changed in the wireless device by using the following Fast Key sequence.

Function	Fast Key sequence	Menu items
Wireless	2,1,1	Join Device to Network

2.2 Sensor configuration

Sensor inputs can be configured for different sensor types. To verify or change the sensor configuration with a Field Communicator, use the following Fast Key sequence.

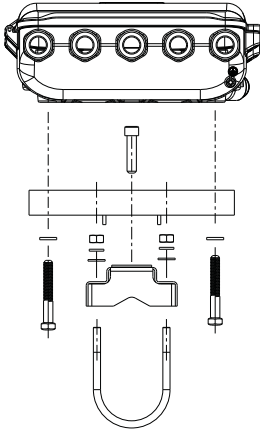
Function	Fast Key sequence	Menu items
Sensor Configuration	2,1,3	Configure Sensors

2.3 Remote mount

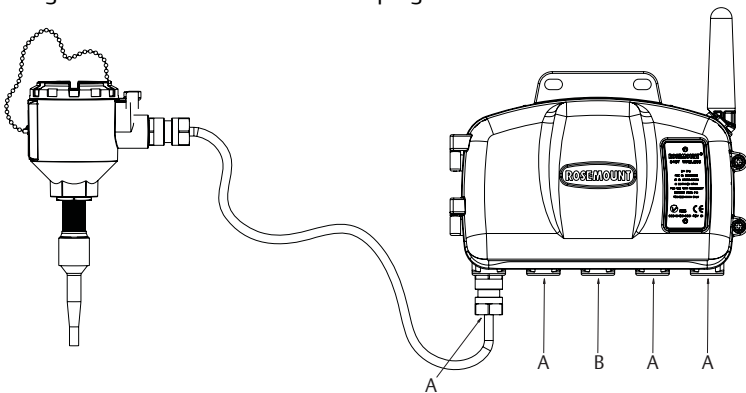
The Rosemount 848T Wireless is designed to be installed only in the Remote Mount configuration where the sensor is mounted separate from the Rosemount 848T housing, then connected to the Rosemount 848T via conduit.

1. Install the sensor according to standard installation practices. Be sure to use thread sealant on all connections.

- To reduce sensor wiring length, mount the Rosemount 848T Wireless transmitter central to all of the measurements. When installing the Rosemount 848T Wireless, the conduit entries need to be facing downward. If using the mounting bracket (Option Code B6), mount to a 2-in. pipe.



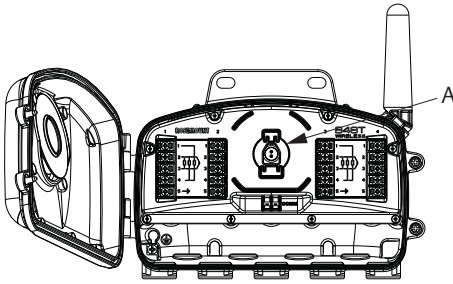
- Run wiring (and conduit, if necessary) from the sensor to the Rosemount 848T. For an easier installation, use the outside conduit entries as shown below. Any unused conduit entries should be sealed with approved sealant using the included threaded conduit plugs.



- A. Conduit Entry
- B. Conduit Plug

- Pull the wiring through the threaded conduit entry of the 848T.
- Attach the sensor wiring to the terminals as indicated on the wiring diagram. Note that Terminal screw 5 is for attaching the shield wire of the sensor to the device. See Rosemount 848T Wireless [Reference Manual](#) for more information.

- To connect the power module, remove the plastic plug from the receptacle.

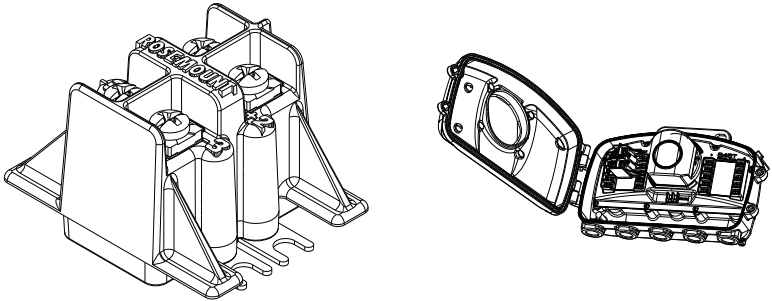


A. Plastic Plug

- After initial installation, close the housing cover securely. Always ensure a proper seal by installing the electronics housing cover so that metal touches metal, but do not over tighten.
- Position the antenna vertically. The antenna should be approximately three feet (1 m) from any large structures or buildings to allow clear communication to other devices.

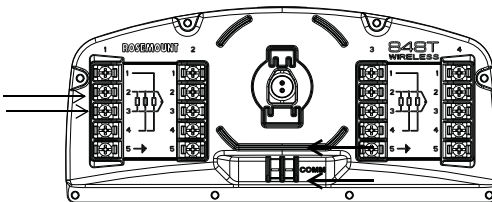
2.4 Installing the optional voltage adapter

The Rosemount 848T Wireless voltage adapter allows voltage measurement from 0-10 volts. Each adapter accommodates 2 voltage inputs, and can be installed interchangeably on inputs 1 and 2 or 3 and 4.

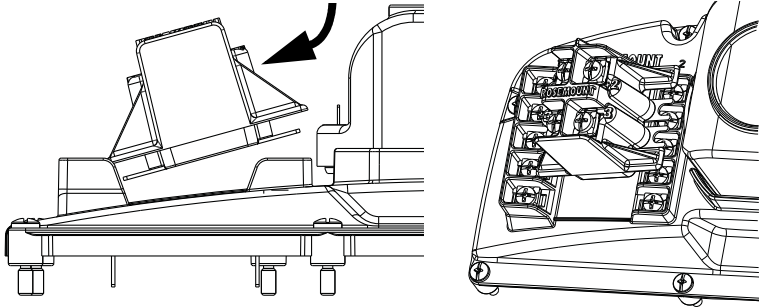


To install voltage adapter:

- Open terminal screws 2 and 3 on BOTH inputs. Note that the screws are captive and should NOT be completely removed by using excess force.



2. Angle adapter and slide spade lugs into terminals 2 and 3 on the left side, as shown in the figure below. Ensure that the positive and negative polarity indicators match on the adapter and the terminal block.



3. Lower right side of adapter into terminals 2 and 3 on the right side and center the adapter.
4. Tighten all terminal screws to lock divider in place.

3.0 Verify operation

Operation can be verified using one of three methods: Field Communicator, the Smart Wireless Gateway's integrated web interface, or via AMS Wireless Configurator.

3.1 Field Communicator

For HART® communication, an Rosemount 848T Wireless Device Dashboard (DD) is required. For connecting with a Field Communicator, refer to [Figure 3 on page 4](#).

Function	Fast Key sequence	Menu items
Communications	3,3	Join Status, Communications Status, Join Mode, Number of Advertisements Heard, Number of Available Neighbors, Number of Join Attempts

3.2 Smart Wireless Gateway

In the Gateway's integrated web interface, navigate to the *Explorer* page. This page shows whether the device has joined the network and if it is communicating properly.

Note

It may take several minutes for the device to join the network.

Note

If the device joins the network and immediately has an alarm present, it is likely due to sensor configuration. Check the sensor wiring (see ["Rosemount 848T Terminal Diagram" on page 10](#)) and the sensor configuration (see ["Rosemount 848T Fast Key Sequence for Field Communicator" on page 10](#)).

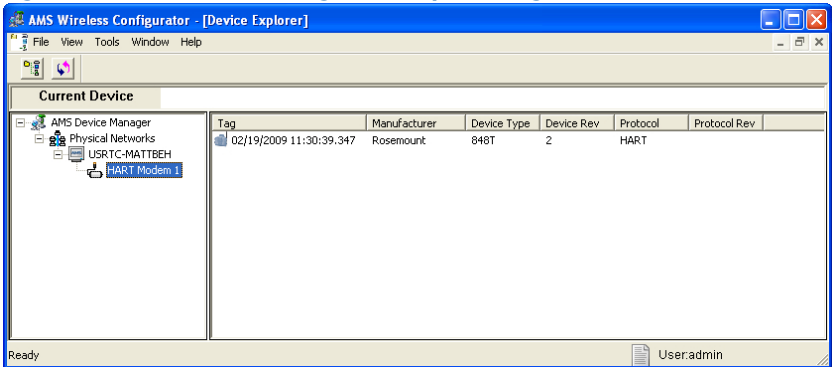
Figure 4. Smart Wireless Gateway Explorer Page



3.3 AMS Wireless Configurator

When the device has joined the network, it will appear in the AMS Device Manager as illustrated below:

Figure 5. AMS Wireless Configurator Explorer Page



4.0 Reference information

Figure 6. Rosemount 848T Terminal Diagram

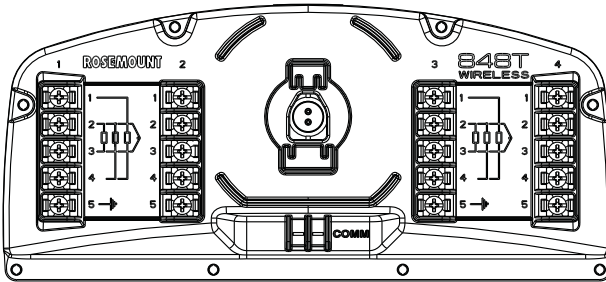
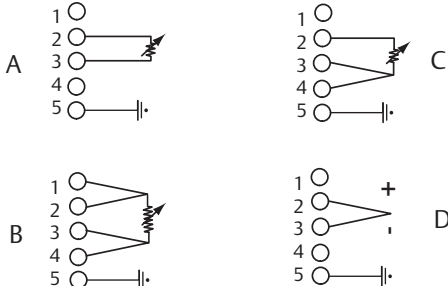


Table 1. Rosemount 848T Fast Key Sequence for Field Communicator

Function	Fast Key sequence	Menu items
Device Information	1, 1, 13	Manufacturer, Model, Final Assembly Number, Universal, Field Device, Software, Hardware, Descriptor, Message, Date, Model Number SI Unit Control, Country, Device ID
Guided Setup	2, 1	Join Device to Network, Configure Update Rate, Configure Sensor, Calibrate Sensors, Configure Alerts
Manual Setup	2, 2	Wireless, Sensor 1, Sensor 2, Sensor 3, Sensor 4, Device Temperature, Device Information, Other
Wireless	2, 2, 1	Network ID, Join Device to Network, Configure Update Rate, Configure Broadcast Power Level, Power Mode, Power Source
Sensor Calibration	3, 4, 1-4	Sensor 1-4, Current Upper Trim, Current Lower Trim, Lower Sensor Trim, Upper Sensor Trim, Recall Factory Trim, RTD 2 Wire Offset

Figure 7. Sensor Wiring Diagrams

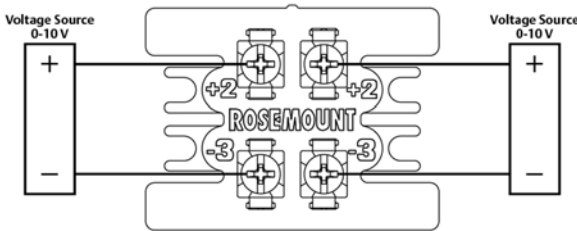


- A. 2-wire RTD, Ohm
- B. 4-wire RTD, Ohm
- C. 3-wire RTD, Ohm
- D. Thermocouple, millivolt

4.1 Wiring 0-10 volts inputs on the voltage adapter

Wiring voltage 0-10 volt inputs using the adapter follows the same procedure as mV inputs and thermocouples.

Figure below shows how to connect the voltage leads.



4.2 Adapter requirements

1. The adapter is only designed to be used with the 1000 mV sensor type, found on device revisions 3 and above. If it is ordered pre-installed from the factory, this will be the default sensor type. If the adapter is ordered as a spare part, the user must configure the inputs to this sensor type. The user is responsible for converting the 0–1000 mV transmitter output into a 0–10 volt scale. The formula to do this is as follows:

$$\frac{\text{Transmitter output (in mV)}}{100} = \text{Actual reading (in V)}$$

2. If input type S004 ((1) dual channel voltage adapter) is ordered, it will be factory installed on channels 1 and 2. However, if the adapter is required to be installed on channels 3 and 4, the procedure to do so is a simple process. Confirm that channels 3 and 4 are configured for 1000 mV sensor input. After confirmation, remove the adapter from channels 1 and 2 and follow the steps provided in the 'Installing the Optional Voltage Adapter' section of this guide to install it on channels 3 and 4.
3. In order to ensure the device remains within the accuracy specifications, the effect of source impedance must be checked. Loaded to unloaded, the impedance ratio cannot exceed 0.1%. For detailed instructions on how to verify this, refer to Section 5 of the Reference Manual.

5.0 Product Certifications

Rev 1.2

5.1 Telecommunication compliance

All wireless devices require certification to ensure that they adhere to regulations regarding the use of the RF spectrum. Nearly every country requires this type of product certification. Emerson is working with governmental agencies around the world to supply fully compliant products and remove the risk of violating country directives or laws governing wireless device usage.

5.2 FCC and IC

This device complies with Part 15 of the FCC Rules. Operation is subject to the following conditions: This device may not cause harmful interference. This device must accept any interference received, including interference that may cause undesired operation. This device must be installed to ensure a minimum antenna separation distance of 20 cm from all persons.

5.3 European Directive Information

A copy of the EC Declaration of Conformity can be found at the end of the Quick Start Guide. The most recent revision of the EC Declaration of Conformity can be found at EmersonProcess.com/Rosemount.

5.4 Ordinary Location Certification

As standard, the transmitter has been examined and tested to determine that the design meets basic electrical, mechanical, and fire protection requirements by a nationally recognized testing laboratory (NRTL), as accredited by the Federal Occupational Safety and Health Administration (OSHA).

5.5 Installing Equipment in North America

The US National Electrical Code® (NEC) and the Canadian Electrical Code (CEC) permit the use of Division marked equipment in Zones and Zone marked equipment in Divisions. The markings must be suitable for the area classification, gas, and temperature class. This information is clearly defined in the respective codes.

USA

I5 FM Intrinsically Safe

Certificate: 3034378

Standards: FM Class 3600:1998, FM Class 3610:2010, FM Class 3810:2005, NEMA®-250:1997, ANSI/ISA-60079-0:2009, ANSI/ISA-60079-11:2009, IEC 60529:2004

Markings: IS CL I, DIV 1, GP A, B, C, D; NI CL I, DIV 2, GP A, B, C, D; IS CL I, Zone 0, AEx ia IIC T4 (-50 °C ≤ T_a ≤ +70 °C), when installed per Rosemount drawing 00849-1000; Type 4X; IP66

See [Table 2](#) at the end of the Product Certifications section for entity parameters.

N5 FM Class 1, Division 2, and Dust Ignition-proof

Certificate: 3034378

Standards: FM Class 3600:1998, FM Class 3610:2010, FM Class 3810:2005,
NEMA-250:1997, IEC 60529:2004Markings: NI CL I, DIV 2, GP A, B, C, D; T4($-50\text{ }^{\circ}\text{C} \leq T_a \leq +70\text{ }^{\circ}\text{C}$); DIP CL II/III DIV 1, GP E, F,
G; $-50\text{ }^{\circ}\text{C} \leq T_a \leq +85\text{ }^{\circ}\text{C}$; when installed per Rosemount drawing 00849-1000;
Type 4X; IP66**Canada****I6** CSA Intrinsic Safety

Certificate: 1261865

Standards: CSA Std. C22.2 No. 25-1966, CSA Std. C22.2 No. 30-M1986, CAN/CSA C22.2
No. 94-M91, CSA C22.2 No. 142-M1987, CAN/CSA C22.2 No. 157-92, CSA
Std. C22.2 No. 213-M1987, CSA Std. C22.2 No 60529:05Markings: Intrinsically Safe for CL I, DIV 1 GP A, B, C, D; Suitable for CL I DIV 2 GP A, B, C,
D; when installed per Rosemount drawing 00849-1016; T3C; Type 4X, IP66See [Table 2](#) at the end of the Product Certifications section for entity parameters.**N6** CSA Class I, Division 2

Certificate: 1261865

Standards: CSA Std. C22.2 No. 25-1966, CSA Std. C22.2 No. 30-M1986, CAN/CSA C22.2
No. 94-M91, CSA C22.2 No. 142-M1987, CSA Std. C22.2 No. 213-M1987,
CSA Std. C22.2 No 60529:05Markings: Suitable for CL I DIV 2 GP A, B, C, D; T3C; when installed per Rosemount
drawing 00849-1016; Type 4X, IP66**Europe****I1** ATEX Intrinsic Safety

Certificate No.: Baseefa09ATEX0022X

Standards: EN 60079-0:2012, EN 60079-11:2012

Markings:  II 1 G Ex ia IIC T4/T5 GaT4($-60\text{ }^{\circ}\text{C} \leq T_a \leq +70\text{ }^{\circ}\text{C}$), T5($-60\text{ }^{\circ}\text{C} \leq T_a \leq +40\text{ }^{\circ}\text{C}$)See [Table 2](#) at the end of the Product Certifications section for entity parameters.**Special Conditions for Safe Use (X):**

1. The surface resistivity of the antenna is greater than 1 GΩ. To avoid electrostatic charge build-up, it must not be rubbed or cleaned with solvents or a dry cloth.
2. The power module may be replaced in a hazardous area. The power module has surface resistivity greater than 1GΩ and must be properly installed in the wireless device enclosure. Care must be taken during transportation to and from the point of installation to prevent electrostatic charge build-up.
3. The enclosure may be made from aluminum alloy with a protective polyurethane paint finish; however, care should be taken to protect it from impact or abrasion when located in Zone 0.

International**I7** IECEx Intrinsic Safety

Certificate: IECEx BAS 09.0004X

Standards: IEC 60079-0:2011, IEC 60079-11:2011

Markings: Ex ia IIC T5/T4 Ga, T4($-60\text{ }^{\circ}\text{C} \leq T_a \leq +70\text{ }^{\circ}\text{C}$), T5($-60\text{ }^{\circ}\text{C} \leq T_a \leq +40\text{ }^{\circ}\text{C}$)See [Table 2](#) at the end of the Product Certifications section for entity parameters.

Special Conditions for Safe Use (X):

1. The surface resistivity of the antenna is greater than $1\text{G}\Omega$. To avoid electrostatic charge build-up, it must not be rubbed or cleaned with solvents or a dry cloth.
2. The power module may be replaced in a hazardous area. The power module has surface resistivity greater than $1\text{G}\Omega$ and must be properly installed in the wireless device enclosure. Care must be taken during transportation to and from the point of installation to prevent electrostatic charge build-up.
3. The enclosure may be made from aluminum alloy with a protective polyurethane paint finish; however, care should be taken to protect it from impact or abrasion when located in Zone 0.

Brazil**I2** INMETRO Intrinsic Safety

Certificate: UL-BR 15.0034X

Standards: ABNT NBR IEC 60079-0:2008 + Corrigendum 1:2011, ABNT NBR IEC 60079-11:2009

Markings: Ex ia IIC T4/T5, T4($-60\text{ }^{\circ}\text{C} \leq T_a \leq +70\text{ }^{\circ}\text{C}$), T5($-60\text{ }^{\circ}\text{C} \leq T_a \leq +40\text{ }^{\circ}\text{C}$)See [Table 2](#) at the end of the Product Certifications section for entity parameters.**Special Condition for Safe Use (X):**

1. The surface resistance of the antenna is greater than $1\text{G}\Omega$. To avoid electrostatic charge build-up, it must not be rubbed or cleaned with solvents or a dry cloth.
2. The Model 701PBKFF Power Module may be replaced in a hazardous area. The power module has surface resistance greater than $1\text{G}\Omega$ and must be properly installed in the wireless device enclosure. Care must be taken during transportation to and from the point of installation to prevent electrostatic charge build-up.
3. The 848T enclosure may be made of aluminum alloy and given a protective polyurethane paint finish; however, care should be taken to protect it from impact or abrasion if located in areas that requires EPL Ga (Zone 0).

China**I3** NEPSI Intrinsic Safety

Certificate: GYJ16.1205X

Markings: Ex ia IIC T4/T5 Ga, T4($-60\text{ }^{\circ}\text{C} \leq T_a \leq +70\text{ }^{\circ}\text{C}$), T5($-60\text{ }^{\circ}\text{C} \leq T_a \leq +40\text{ }^{\circ}\text{C}$)See [Table 2](#) at the end of the Product Certifications section for entity parameters.**Special Condition for Safe Use (X):**

1. The surface resistance of the antenna is greater than $1\text{G}\Omega$. To avoid electrostatic charge build-up, it must not be rubbed or cleaned with solvents or a dry cloth.
2. The power module may be replaced in a hazardous area. The power module has surface resistance greater than $1\text{G}\Omega$ and must be properly installed in the wireless device enclosure. Care must be taken during transportation to and from the point of installation to prevent electrostatic charge build-up.
3. Manufacture-provided battery pack made up of two Tadiran TL-5920 Lithium Thionyl-Chloride primary cells should be used.
4. The product should be used with Ex-certified associated apparatus to establish explosion protection system that can be used in explosive gas atmospheres. Wiring and terminals should comply with the instruction manual of the product and associated apparatus.
5. The cables between this product and associated apparatus should be shielded cables (the cables must have insulated shield). The shield has to be grounded reliably in non-hazardous area.

6. End user is not permitted to change any components inside, but to settle the problem in conjunction with manufacturer to avoid damage to the product.
7. When installation, use and maintenance of this product, observe following standards:
 GB3836.13-2013 “Electrical apparatus for explosive gas atmospheres Part 13: Repair and overhaul for apparatus used in explosive gas atmospheres”
 GB3836.15-2000 “Electrical apparatus for explosive gas atmospheres Part 15: Electrical installations in hazardous area (other than mines)”
 GB3836.16-2006 “Electrical apparatus for explosive gas atmospheres Part 16: Inspection and maintenance of electrical installation (other than mines)”
 GB3836.18-2010 “Explosive Atmospheres Part 18: Intrinsically Safe System
 GB50257-2014 “Code for construction and acceptance of electric device for explosion atmospheres and fire hazard electrical equipment installation engineering”

EAC – Belarus, Kazakhstan, Russia

IM Technical Regulations Customs Union (EAC) Intrinsic Safety

Certificate: RU C-US.GB05.B.00289

Markings: 0Ex ia IIC T4, T5 Ga X

See [Table 2](#) at the end of the Product Certifications section for entity parameters.

Japan

I4 TIIS Intrinsic Safety

Certificate: TC19154

Markings: Ex ia IIC T4, T4(-20 °C ≤ T_a ≤ +60 °C)

See [Table 2](#) at the end of the Product Certifications section for entity parameters.

5.6 Additional Certifications

SBVBureau Veritas (BV) Type Approval




Certificate: 26325/A2 BV

Requirements: Bureau Veritas Rules for the Classification of Steel Ships

Table 2. Entity Parameters (Sensor Terminals)

Parameter	FM	CSA	ATEX, IECEx, NEPSI, EAC, TIIS, INMETRO
Voltage U _o (V)	6.51	6.6	6.6
Current I _o (mA)	3.12	3.2	3.2
Power P _o (mW)	5.1	20.4	5.3
Capacitance C _o (μF)	22	22	22
Inductance L _o (H)	1	1	1

Figure 8. Rosemount 848T Wireless Declaration of Conformity

	EU Declaration of Conformity No: RMD 1073 Rev. G	
<p>We,</p>		
<p>Rosemount, Inc. 8200 Market Boulevard Chanhausen, MN 55317-9685 USA</p>		
<p>declare under our sole responsibility that the product,</p>		
<p>Rosemount 848T Wireless Temperature Transmitter</p>		
<p>manufactured by,</p>		
<p>Rosemount, Inc. 8200 Market Boulevard Chanhausen, MN 55317-9685 USA</p>		
<p>to which this declaration relates, is in conformity with the provisions of the European Union Directives, including the latest amendments, as shown in the attached schedule.</p>		
<p>Assumption of conformity is based on the application of the harmonized standards and, when applicable or required, a European Union notified body certification, as shown in the attached schedule.</p>		
	<p>Vice President of Global Quality</p>	
<p>(signature)</p>	<p>(function)</p>	
<p>Chris LaPoint</p>	<p>May 24, 2017</p>	
<p>(name)</p>	<p>(date of issue)</p>	
<p>Page 1 of 2</p>		



EU Declaration of Conformity



No: RMD 1073 Rev. G

EMC Directive (2014/30/EU)

Harmonized Standards:
EN 61326-1: 2013
EN 61326-2-3: 2013

Radio Equipment Directive (RED) (2014/53/EU)

Harmonized Standards:
EN 300 328 V2.1.1
EN 301 489-1 V2.2.0
EN 301 489-17 V3.2.0
EN 61010-1: 2010
EN 62479: 2010

ATEX Directive (2014/34/EU)

Baseefa09ATEX0022X – Intrinsic Safety Certificate
Equipment Group II, Category 1 G:
Ex ia IIC T4/T5 Ga
Harmonized Standards:
EN 60079-0: 2012
EN 60079-11: 2012

ATEX Notified Body

SGS Baseefa Limited [Notified Body Number: 1180]
Rockhead Business Park, Staden Lane
Buxton, Derbyshire SK17 9RZ
United Kingdom

ATEX Notified Body for Quality Assurance

SGS Baseefa Limited [Notified Body Number: 1180]
Rockhead Business Park, Staden Lane
Buxton, Derbyshire SK17 9RZ
United Kingdom

Table 1B: List of Rosemount 848T Wireless Parts with China RoHS Concentration above MCVs
表格 1B: 含有China RoHS管控物质超过最大浓度限值的部件型号列表 Rosemount 848T Wireless

Part Name 部件名称	Hazardous Substances / 有害物质					
	Lead 铅 (Pb)	Mercury 汞 (Hg)	Cadmium 镉 (Cd)	Hexavalent Chromium 六价铬 (Cr +6)	Polybrominated biphenyls 多溴联苯 (PBB)	Polybrominated diphenyl ethers 多溴联苯醚 (PBDE)
Electronics Assembly 电子组件	X	O	O	O	O	O
Housing Assembly 壳体组件	O	O	O	X	O	O
Sensor Assembly 传感器组件	X	O	O	O	O	O

This table is proposed in accordance with the provision of SJ/T11364

本表格系依据SJ/T11364的规定而制作。

O: Indicate that said hazardous substance in all of the homogeneous materials for this part is below the limit requirement of GB/T 26572.

O: 意为该部件的所有均质材料中该有害物质的含量均低于GB/T 26572所规定的限量要求。

X: Indicate that said hazardous substance contained in at least one of the homogeneous materials used for this part is above the limit requirement of GB/T 26572.

X: 意为在该部件所使用的的所有均质材料里，至少有一类均质材料中该有害物质的含量高于GB/T 26572所规定的限量要求。



Global Headquarters

Emerson Automation Solutions
6021 Innovation Blvd.
Shakopee, MN 55379, USA
+1 800 999 9307 or +1 952 906 8888
+1 952 949 7001
RFQ.RMD-RCC@Emerson.com

North America Regional Office

Emerson Automation Solutions
8200 Market Blvd.
Chanhassen, MN 55317, USA
+1 800 999 9307 or +1 952 906 8888
+1 952 949 7001
RMT-NA.RCCRFQ@Emerson.com

Latin America Regional Office

Emerson Automation Solutions
1300 Concord Terrace, Suite 400
Sunrise, FL 33323, USA
+1 954 846 5030
+1 954 846 5121
RFQ.RMD-RCC@Emerson.com

Europe Regional Office

Emerson Automation Solutions
Neuhofstrasse 19a P.O. Box 1046
CH 6340 Baar
Switzerland
+41 (0) 41 768 6111
+41 (0) 41 768 6300
RFQ.RMD-RCC@Emerson.com

Asia Pacific Regional Office

Emerson Automation Solutions
1 Pandan Crescent
Singapore 128461
+65 6777 8211
+65 6777 0947
Enquiries@AP.Emerson.com

Middle East and Africa Regional Office

Emerson Automation Solutions
Emerson FZE P.O. Box 17033
Jebel Ali Free Zone - South 2
Dubai, United Arab Emirates
+971 4 8118100
+971 4 8865465
RFQ.RMTMEA@Emerson.com



[Linkedin.com/company/Emerson-Process-Management](https://www.linkedin.com/company/Emerson-Process-Management)



[Twitter.com/Rosemount_News](https://twitter.com/Rosemount_News)



[Facebook.com/Rosemount](https://www.facebook.com/Rosemount)



[Youtube.com/user/RosemountMeasurement](https://www.youtube.com/user/RosemountMeasurement)



[Google.com/+RosemountMeasurement](https://www.google.com/+RosemountMeasurement)

Standard Terms and Conditions of Sale can be found at www.Emerson.com/en-us/pages/Terms-of-Use.aspx
The Emerson logo is a trademark and service mark of Emerson Electric Co.
Rosemount and Rosemount logotype are trademarks of Emerson.
HART is a registered trademark of FieldComm Group.
National Electrical Code is a registered trademark of National Fire Protection Association, Inc.
NEMA is a registered trademark and service mark of the National Electrical Manufacturers Association.
All other marks are the property of their respective owners.
© 2017 Emerson Process Management. All rights reserved.