

The reference for product quality

testo 650

The testo 650 precision measuring instrument from the reference class has everything the professional user needs to complete complicated measurement tasks efficiently, accurately and conveniently. testo 650 includes the basic parameters humidity, temperature, pressure and you also have the option of measuring CO₂, rpm, current and voltage.

aw value

Water activity is one of the most important parameters in respect of product quality in the food production sector.

The aw value provides information on chemically non-bonded water. For this reason, it is an important parameter when determining the product quality in many foodstuffs. The water activity in food determines colour stability, taste and shelf life. Potential risks exist if the food has very high water activity and is not adequately refrigerated.

The testo 650 reference measurement system sets standards in aw value measurement

Accuracy of measurement ± 0.01 aw. Reproducibility of the measurement ± 0.003 aw. The accuracy of the precision sensor has been proven in international inter-laboratory tests!

- The trend display in testo 650 automatically indicates when the equilibrium moisture has been reached and the measurement is complete. Constant monitoring is therefore not required.
- Long-term stability of the measurement for years, i.e. frequent, time-consuming readjustments are no longer necessary.
- Measuring system traceable to national standards. Supplied with DKD calibration certificate if required. This also gives assurance in legal questions.
- Uncomplicated and reliable documentation of the measured results via attachable printer or on PC.

testo 650

Reference humidity measuring instrument, incl. battery, Li cell and calibration protocol, 2 channel humidity and temperature meas. instrument with aw value measurement, pressure measurement with option of connecting pressure probes, CO, CO₂, rpm, mV/mA transmitters

Part no. 0563 6501

Accessories for measuring instrument/probes	Part no.
Rechargeable battery set for instrument (4 rechargeables 2.4V/700mAh), Selected for quick recharging in instrument	0554 0196
Power unit 230 V/ 8 V/ 1 A, for instrument (European plug), For mains operation and battery recharging	0554 1084
Car charging adapter, ready to measure following recharging in car, Battery is recharged while travelling in car	0554 0424
Spare Li cell to save RAM data, When changing battery or rechargeable battery	0515 0028
Software, barcode and accessories	Part no.
ComSoft 3 - Professional with data management, Incl. database, analysis and graphics function, data analysis, trend curve	0554 0830
RS232 cable, Connects instrument to PC (1.8 m) for data transfer	0409 0178
Barcode reader to read in measurement locations, Quick and accurate allocation of reading to site	0554 0460
Barcode labels, self-adhesive (1200 off), Location marked with barcode, printing via software	0554 0411
Adhesive pockets (50 off) for printout, paper barcode labels...	0554 0116

The tendency display in testo 650 automatically provides information on the equilibrium status.


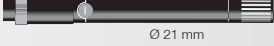
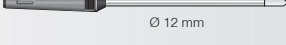

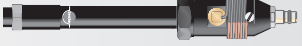
Different measurement samples are easily read in via barcode and documentation is via the plug-in printer or PC/notebook

Checks product quality during food production

Recommended Set: The aw value set to assure product quality

Reference humidity measuring instrument, incl. battery, Li cell and calibration protocol, 2 channel humidity and temperature meas. instrument with aw value measurement, pressure measurement with option of connecting pressure probes, CO, CO ₂ , rpm, mV/mA transmitters	0563 6501
aw value set: pressure-tight precision humidity probe with certificate, measurement chamber and 5 sample bowls (plastic)	0628 0024
Attachable printer (securely attached) including 1 roll of thermal paper and batteries	0554 0570
SoftCase (protects instrument from impact) with carrier strap, magnetic holder and probe holder	0516 0401
SoftCase for attachable printer (protects printer from dirt/impact), Protects from impact and falls	0516 0411
We recommend: DKD calibration certificate/Humidity, Calibration points freely selectable from 5 to 95%RH at +25°C or -20°C to +85°C	0520 0216

Printer and Accessories	Part no.
Attachable printer (securely attached) including 1 roll of thermal paper and batteries	0554 0570
Testo printer with 1 roll of thermal paper and 4 AA size batteries, Prints readings on site	0554 0545
Softcase for instrument and printer	Part no.
SoftCase (protects instrument from impact) with carrier strap, magnetic holder and probe holder	0516 0401
SoftCase for attachable printer (protects printer from dirt/impact)	0516 0411
System case	Part no.
System case (plastic) for measuring instrument, probes and accessories, Probes in lid make it easy to find parts in case	0516 0400
Calibration Certificates	Part no.
ISO calibration certificate/Humidity, Calibration points freely selectable from 5 to 95%RH at +15 to +35°C or at -18 to +80°C	0520 0106
DKD calibration certificate/Humidity, Calibration points freely selectable from 5 to 95%RH at +25°C or -20°C to +85°C	0520 0216

Humidity probes	Illustration	Meas. range	Accuracy	t ₉₉	Part no.
Standard ambient air probe up to +70°C		0 to +100 %RH -20 to +70 °C	±2 %RH (+2 to +98 %RH) ±0.4 °C (-10 to +50 °C) ±0.5 °C (remaining range)	12 s	0636 9740 Conn.: Plug-in head, connection cable 0430 0143 or 0430 0145 required
Highly accurate reference humidity/temp. probe incl. cal. cert.		0 to +100 %RH -20 to +70 °C	* ±1 %RH (+10 to +90 %RH) ±2 %RH (remaining range) ±0.4 °C (-10 to +50 °C) ±0.5 °C (remaining range)	12 s	0636 9741 Conn.: Plug-in head, connection cable 0430 0143 or 0430 0145 required
Robust humidity probe e.g. for measuring equilibrium moisture or for measurements in exhaust ducts to +120°C		0 to +100 %RH -20 to +120 °C	±2 %RH (+2 to +98 %RH) ±0.4 °C (-10 to +50 °C) ±0.5 °C (remaining range)	30 s	0636 2140 Conn.: Plug-in head, connection cable 0430 0143 or 0430 0145 required
aw value set: pressure-tight precision humidity probe with certificate, measurement chamber and 5 sample bowls (plastic)		0 to +1 aW 0 to +100 %RH -20 to +70 °C	* ±0.01 aW (+0.1 to +0.9 aW) ±0.02 aW (+0.9 to +1 aW) ±0.4 °C (-10 to +50 °C) ±0.5 °C (remaining range)		0628 0024 Reproducibility of aw value ±0.003
Precision pressure dew point probe for measurements in compressed air systems incl. cert. with test point -40°C tpd		0 to +100 %RH -60 to +50 °C tpd	±0.8 °C tpd (-4.9 to +50 °C tpd) ±1 °C tpd (-9.9 to -5 °C tpd) ±2 °C tpd (-19.9 to -10 °C tpd) ±3 °C tpd (-29.9 to -20 °C tpd) ±4 °C tpd (-40 to -30 °C tpd)	300 s	0636 9841 Conn.: Plug-in head, connection cable 0430 0143 or 0430 0145 required

Accessories Ordering data	Part no.
Cable, 1.5 m long, connects probe with plug-in head to meas. instrument, PUR coating material	0430 0143
Cable, 5 m long, connects probe with plug-in head to measuring instrument, PUR coating material	0430 0145
Control and humidity adjustment set 11.3%RH/75.3%RH incl. adapter for humidity probes, Quick checks or calibration of humidity probe	0554 0660
Control and storage humidity (33%RH) for humidity probes	0554 0636
Teflon sintered filter, Ø 21 mm, for corrosive substances, High humidity range (long-term measurements), high velocities	0554 0666
Teflon sintered filter, Ø 12 mm, for corrosive substances, High humidity range (long-term measurements), high velocities	0554 0756
Stainless steel sintered cap, Ø 21 mm, can be screwed onto humidity probe, Protection in case of high mechanical load and high velocities	0554 0640
Stainless steel sintered cap, Ø 12 mm, is screwed onto humidity probe, For measurements at high velocity speeds or in dirt ingressed air	0554 0647

You will find more information in the "Portable Reference Measurement Engineering" brochure and at www.testo.com.

* in the temperature range from +10°C to +30°C

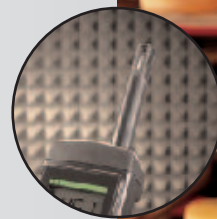
Monitor ambient conditions – Flexible and robust

testo 615 / 625

The compact thermohygrometer testo 615 with built-in probe measures ambient conditions e.g. in buildings, offices, warehouses etc. The testo 625 with a securely attached flexible humidity probe is ideal for measurements at difficult to access points and in air conditioning ducts.

- Dewpoint calculation (td)
- Humidity sensor unaffected by water
- Accuracy adjustment can be carried out by the user

testo 615 with probe integrated in housing



Use testo 625 to monitor ambient conditions when cheese is maturing

testo 615
Humidity meter, with built-in humidity/temperature probe, battery and calibration protocol
Part no. 0560 6150

testo 625
Humidity meter, with securely attached humidity/temperature probe incl. 1 m probe cable, battery and calibration protocol
Part no. 0560 6250

Accessories Ordering data	Part no.
TopSafe (protection case) with bench stand, Protects instrument from impact and dirt	0516 0183
Case for instrument and probes, For safe and orderly storage	0516 0182
Control/adjustment containers (75.3%RH), for 1 point control and adjustment of instrument	0554 0638
ISO calibration certificate/Humidity, Electronic hygrometers; calibration points 11.3%RH and 75.3%RH at +25°C	0520 0006

Technical data	testo 625	testo 615
Meas. range	+5 to +95 %RH -10 to +60 °C -20 to +50 °C td	+5 to +95 %RH 0 to +50 °C -20 to +50 °C td
Accuracy ±1 digit	±3 %RH (+5 to +95 %RH) ±0.5 °C (-10 to +60 °C)	
Resolution	0.1 %RH (+5 to +95 %RH) 0.1 °C (-10 to +60 °C)	
Oper. temp.	0 to +50 °C	
Storage temp.	-20 to +70 °C	
Battery life	100 h	

