



Fluidwell Products are Sold Separately

SPECIFICATIONS

Enclosure: Explosion-proof sand-cast aluminum with glass window, 0.3% max copper content, NEMA 4, 7, & 9, IP66. UL Classified & CSA Certified Class I Groups C & D, Class II Groups E, F & G, Class III hazardous outdoor (Type 4) locations. Two ¾" NPT holes provided at opposite sides. Up to four holes can be provided for an additional charge.

Mounting: Enclosure contains four 7/16" (11.1 mm) holes for wall-mounting. A 2" pipe mounting kit is also available.

Overall Dimensions: 8.0" x 8.0" x 5.7" (203 x 203 x 145 mm)

Weight: 14.6 lb (6.6 kg)

Warranty: 1 year parts & labor

Model PDA2448

- NEMA 4X, IP66
- Sand-cast aluminum housing
- Two ¾" NPT holes standard
- Additional NPT holes can be ordered

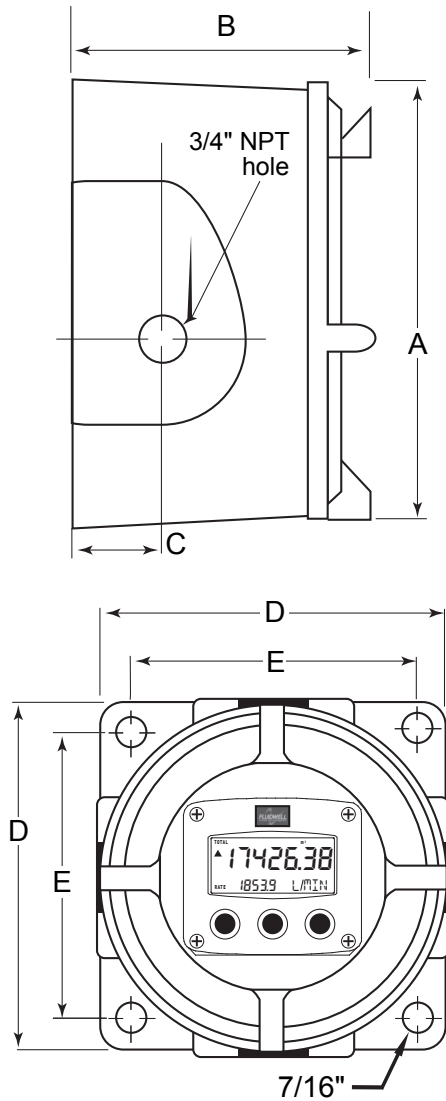
This explosion-proof enclosure has been specifically engineered to house the Fluidwell F-Series products. Rugged & durable this enclosure will stand up to the most extreme conditions. Consider a PDA2448 in combination with the Fluidwell product of your choice and take advantage of our low-cost alternative for creating an explosion-proof Fluidwell product.

ORDERING INFORMATION

Explosion-Proof Enclosure & Accessories	
Model	Description
PDA2448	Explosion-Proof Enclosure for Fluidwell Products*
PDA2453-ESC	3-Button Control Station: ENTER, SELECT, CLEAR
PDA2453-ESS	3-Button Control Station: ENTER, START, STOP
PDA6545	2" Pipe Mounting Kit
PDA6545-SS	2" Stainless Steel Pipe Mounting Kit
* Fluidwell Products are Sold Separately	

Your Precision Digital Distributor is:

Mounting Dimensions



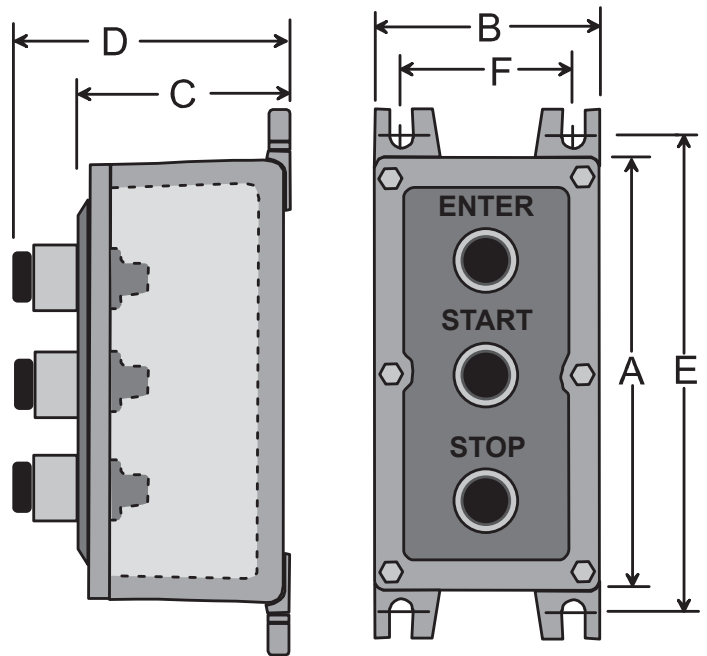
- A: 6.34" (161 mm)
- B: 5.13" (130 mm)
- C: 1.50" (38 mm)
- D: 6.25" (159 mm)
- E: 5.13" (130 mm)

User may mount the display so that the conduit holes are oriented either vertically or horizontally

Optional Explosion-Proof Control Station

This Explosion-Proof Control Station can be used with Fluidwell F-1 Series products that are mounted in the explosion-proof enclosure. The Control Stations contain 3 switches that can be connected to terminals on the Fluidwell product to control various functions (e.g. Batch Controller would have ENTER, START, & STOP buttons).

Note: Fluidwell F-1 Series products must be ordered with the "IC" option (terminal connectors for remote operation of the front panel buttons).



- A: 8.00" (203 mm)
- B: 4.50" (114 mm)
- C: 4.19" (106 mm)
- D: 6.19" (159 mm)
- E: 9.00" (229 mm)
- F: 3.25" (83 mm)

Notes:

1. UL Listed & CSA Certified
2. NEMA 7 & 9
3. NEC Class I, Groups C & D; Class II, Groups E, F, & G
4. Material: Sand-cast aluminum, 0.3% max copper content

LDS2448_A 08/06