

# 882D Belt Scale Integrator



## Standard Features

- LCD display, seven-digit, seven-segment weight display, 3 x 20 pixelated prompt area
- RS-232 or RS-485 serial port
- USB device port connects directly to a PC
- Ethernet TCP/IP polled or continuous
- AC or DC models
- Hardware slot for two option card
- Operator functions through menu key for audit trail, preset tare, accumulator, time & date and setpoints
- Audit trail tracking for configuration and calibration changes. Password protection for user and configuration changes.
- Setpoints for control and alarms
- Four onboard digital I/O channels
- Four programmable ticket formats up to 1,000 characters
- Filter settings for light, medium and heavy noise
- Speed inputs

## Options

### Analog Output:

16-bit resolution, 0-10 VDC, 0-20 mA, 4-20 mA

### Relay Board:

Four dry contact relays; DC Max: 30 VDC at 3 amps  
AC max: 250 VAC at 3 amps per contact

### EtherNet/IP Interface:

According to EN 50325-2

### Profinet Interface:

According to IEC 61784 (CPF-3/3)

### Modbus/TCP Interface:

Up to 8 bytes of I/O data, 100 Mbps full duplex Ethernet

### DeviceNet Interface:

According to EN 50325-2

### Profibus DP Interface:

According to EN 50170

### EtherCAT

According to IEEE 802.3

### Digital I/O

24 channel I/O expansion boards available

## Approvals



## Specifications

### Power:

Input voltages: 100-240 VAC; 9-36 VDC  
Input frequency: 47-63 Hz

### Power Consumption:

AC: 15 watts; DC: 20 watts

### Excitation Voltage:

10 VDC 8 x 350 Ω (16 x 700 Ω) load cells

### Analog Signal Input Range:

-45 mV to 45 mV

### Analog Signal Sensitivity:

0.3 μV/graduation minimum at 7.5 Hz;  
1.0 μV/graduation typical at 120 Hz

### Sample Rate:

7.5 to 120 Hz, software selectable

### Resolution:

Internal: 8 million counts 23 bit

### Weight display:

100,000

### System Linearity:

± 0.01% full scale

### Digital I/O:

Four I/O onboard primary keys, pseudo functions,  
batching functions

### Circuit Protection:

18 KV, 10 V/meter

### Communication Ports:

RS-232 full duplex or RS-485 half duplex; USB micro  
A/B connector 2.0; Ethernet TCP/IP

### Pulse Input:

Dual inputs for redundancy

### Display:

LCD display, seven-digit, seven-segment weight  
display, 3 x 20 pixelated prompt area

### Status Annunciators:

Load, total, rate, speed, zero

### Keyboard:

Flat membrane panel, tactile feel

### Operating Temperature:

14° F to 122° F (-10° C to 50° C)

### Dimensions:

W x H x D: 9.87 x 9.38 x 4.33 in  
(250.7 x 238.3 x 110 mm)

### Weight:

12 lb (5.4 kg)

### Rating:

IP66

### Material:

Stainless steel

### Warranty:

Two-year limited warranty

### Approvals:

CE Marked  
UL/c-UL Listed

# 882D Belt Scale Integrator

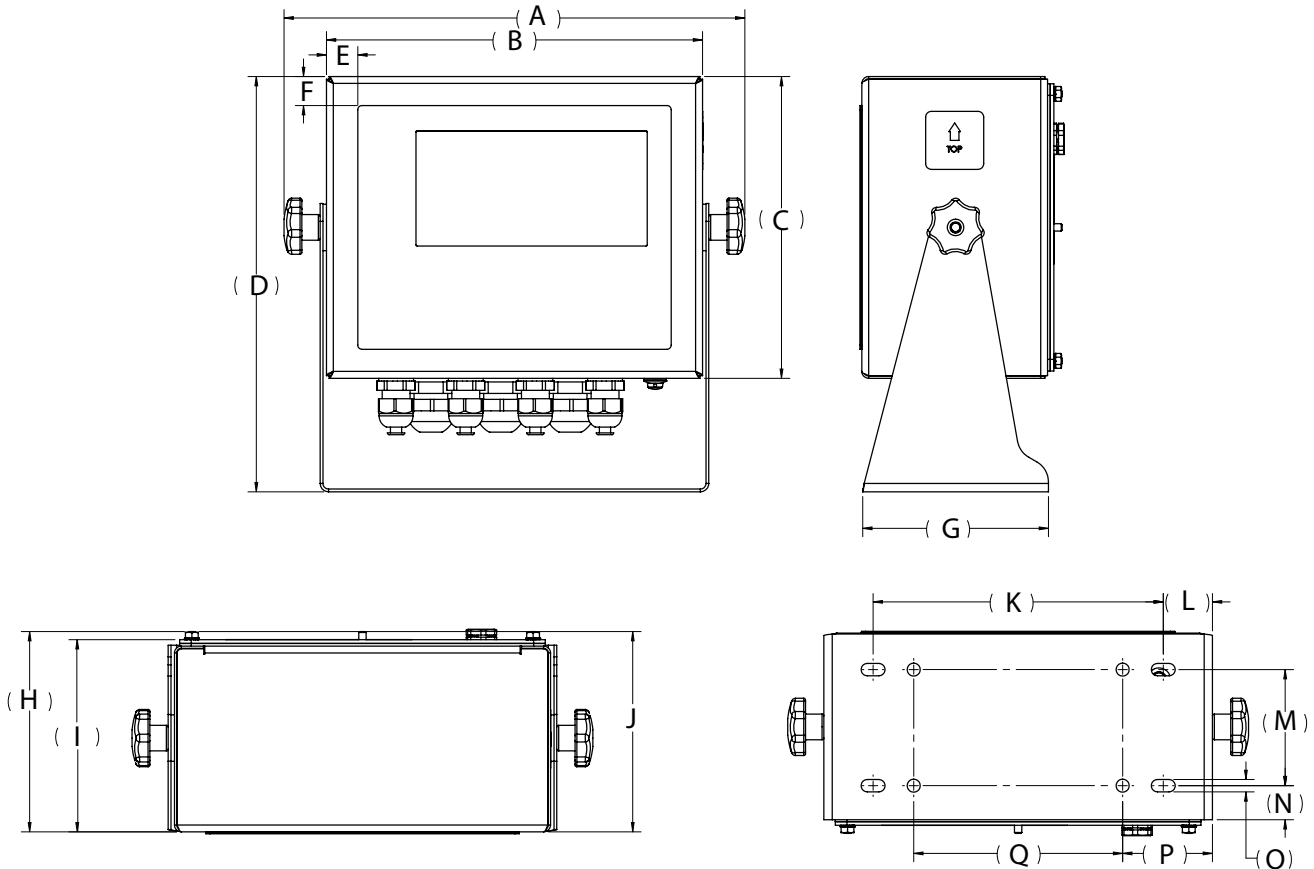
## Part Number/Price

Part #	Description	Price
<b>Integrators</b>		
177708	120 VAC	Consult
180847	220 VAC Euro power cord	Consult
184683	9-36 VDC	Consult

## Options/Accessories

Part #	Description	Price
<b>Options</b>		
190527	882D option, digital I/O	Consult
190528	882D option, single analog out	Consult
190529	882D option, relay interface	Consult
<b>Network Cards</b>		
190530	882D option, Ethernet/IP	Consult
190531	882D option, DeviceNet	Consult
190532	882D option, ProfiNet	Consult
190534	882D option, Profibus	Consult
190533	882D option, Modbus TCP	Consult
190535	882D option, EtherCAT	Consult

Please complete the Belt Scale Application on page 179 to obtain a quote



## Dimensions

A	9.93 in	J	4.32 in
B	8.10 in	K	6.25 in
C	6.50 in	L	1.06 in
D	8.94 in	M	2.50 in
E	0.68 in	N	0.73 in
F	0.63 in	O	0.27 in
G	4.00 in	P	1.93 in
H	4.31 in	Q	4.50 in
I	4.14 in		