

Ball valve type 127 ABS 24V
With manual emergency override
With solvent cement sockets Inch BS

Model:

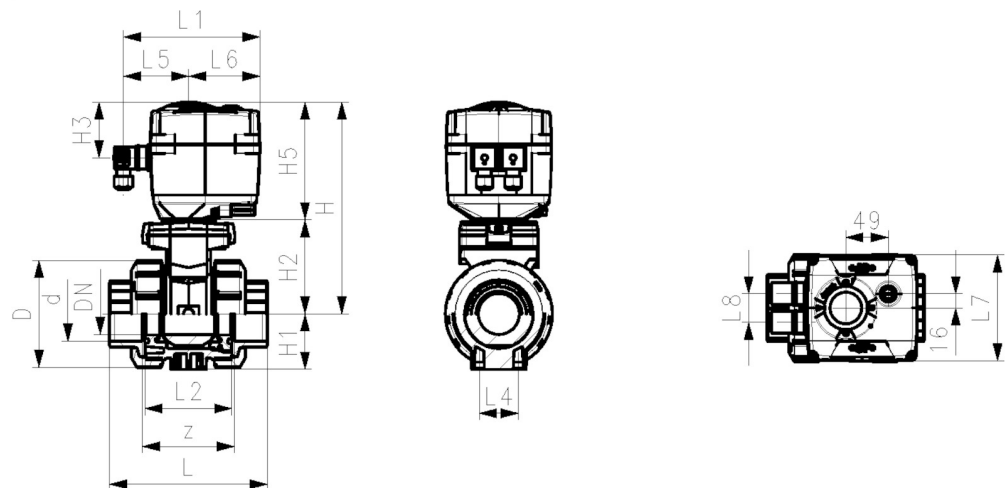
- Built on with electric actuator EA15
- Voltage 24V AC/DC
- Factory set control range 90°<
- Heating element, position feedback (Open/Close)
- Integrated stainless steel mounting inserts

Option:

- Other valve and actuator configurations available
- Optional accessories: Fail-safe return unit

Size (inch)	DN (mm)	PN (bar)	kv-value ($\Delta p=1$ bar) (L/min)	EPDM Code	Weight (kg)
3/8	10	10	70	199 127 192	2.100
1/2	15	10	185	199 127 193	2.100
3/4	20	10	350	199 127 194	2.200
1	25	10	700	199 127 195	2.300
1 1/4	32	10	1000	199 127 196	2.600
1 1/2	40	10	1600	199 127 197	3.000
2	50	10	3100	199 127 198	3.800

Size (inch)	D (mm)	H (mm)	H1 (mm)	H2 (mm)	H3 (mm)	H5 (mm)	L (mm)	L1 (mm)	L2 (mm)	L4 (mm)	L5 (mm)	L6 (mm)	L7 (mm)	L8 (mm)	z (mm)
3/8	50	200	27	64	64	137	92	161	56	25	79	83	122	33	60
1/2	50	200	27	64	64	137	95	161	56	25	79	83	122	33	60
3/4	58	209	30	73	64	137	110	161	65	25	79	83	122	33	69
1	68	209	36	73	64	137	123	161	71	25	79	83	122	33	75
1 1/4	84	220	44	84	64	137	146	161	85	45	79	83	122	33	89
1 1/2	97	220	51	84	64	137	157	161	89	45	79	83	122	33	97
2	124	243	64	106	64	137	183	161	101	45	79	83	122	33	110



The technical data are not binding. They neither constitute expressly warranted characteristics nor guaranteed properties nor a guaranteed durability. They are subject to modification. Our General Terms of Sale apply.

Data sheet

valid from: 7/26/17



Phone +41 -(0)52-631 1111

e-mail: info.ps@georgfischer.com

Internet: <http://www.gfps.com>