

## Data Sheet

# 1008S 40mm (1½") & 50mm (2") Stainless Steel Case Pressure Gauge

### FEATURES

- All SS construction
- True Zero™ reduces reading errors by using a "zero box" instead of conventional dial pins
- FlutterGuard™ (option) reduces movement wear and pointer flutter
- Liquid fillable option

### TYPICAL USES

- Where space limitations exist
- Control valves - corrosion resistant gauge
- Hydraulic tools
- Outdoor installation



**1008S**  
50mm dial size  
Back connection

**1008S**  
50mm dial size  
Lower connection



**1008S**  
50mm dial size  
Center back connection  
with U-clamp



**1008S**  
40mm dial size  
Back connection

**1008S**  
40mm dial size  
Lower connection

### SPECIFICATIONS

Accuracy:	±3-2-3% of span (ASME, B40.100 Grade B)
Process connection location	Lower and center back
Ranges:	40mm: Vacuum, compound to 15,000 psi 50mm: Vacuum, compound to 20,000 psi
Movement:	304 SS, gear type
Window:	Polycarbonate
Pointer:	Black, aluminum
Weather Protection:	NEMA 4/IP66
Dampening Options:	FlutterGuard™ and throttle plugs

### WETTED COMPONENTS

Model	Bourdon Tube	Process Connection Materials	Joints
1008S	316L SS	316L SS	Welded

### NON-WETTED COMPONENTS

Model	Case	Ring
1008S	304 SS (standard)	316 SS (standard) crimped

### MIN/MAX TEMPERATURE LIMITS

Version	Ambient	Process	Storage
Dry	-40°F to 200°F (-40°C to 93°C)	-40°F to 250°F (-40°C to 121°C)	-40°F to 200°F (-40°C to 93°C)
Glycerin Fill	20°F to 150°F (-7°C to 66°C)	20°F to 200°F (-7°C to 93°C)	0°F to 150°F (-18°C to 66°C)
Silicone Fill	-40°F to 150°F (-40°C to 66°C)	-40°F to 200°F (-40°C to 93°C)	-40°F to 150°F (-40°C to 66°C)
Halocarbon® Fill	-40°F to 150°F (-40°C to 66°C)	-40°F to 200°F (-40°C to 93°C)	-40°F to 150°F (-40°C to 66°C)



### KEY BENEFITS

- Where space limitations exist
- New crimped ring for tighter seal and IP66 rating
- For severe outdoor and corrosive applications

## Data Sheet

# 1008S 40mm (1½") & 50mm (2") Stainless Steel Case Pressure Gauge

ORDERING CODE	Example:	501008	S	L	02	L	XC4	100#
<b>Dial Size/Model Code</b>								
401008 - 40mm dial								
501008 - 50mm dial								
<b>System</b>								
S - 316L SS tube/316 SS process connection								
<b>Case Fill</b>								
Blank - Dry liquid fillable								
L - Liquid filled case (glycerin standard)								
<b>Process Connection Size</b>								
01 - 1/8 NPT Male								
02 - 1/4 NPT Male, N/A on 40mm lower connect gauges								
RW - 7/16 x 20 SAE								
<b>Process Connection Location</b>								
L - Lower mount connection								
B - Center back connection								
<b>Options (If choosing an option(s) must include an "X")</b>								
C4 - Individual calibration chart in accordance with ASME B 40.100 traceable to N.I.S.T.								
ZY - FlutterGuard™ performance								
6B - Cleaned for oxygen service								
SG - Safety glass								
FF - Front flange								
UC - U-clamp								
NH - SS tag wired to case								
RG - Regular glass								
YW - 316L SS case and ring								
<b>Ranges (See range table for all standard ranges)</b>								
<b>Single Scale</b>								
100# - 100 psi								

## Data Sheet

# 1008S 40mm (1½") & 50mm (2") Stainless Steel Case Pressure Gauge

STANDARD PRESSURE RANGES					
	psi	bar	kPa	MPa	kg/cm <sup>2</sup>
Vacuum	30IMV	N1BR	N100KP	N0.1MP	N1KG
	-	N1/0.6BR	N100/60KP	N0.1/0.06MP	N1/0.6KG
	30IMV&15#	-	-	-	-
Compound	-	N1/1.5BR	N100/150KP	N0.1/0.15MP	N1/1.5KG
	30IMV&30#	-	-	-	-
	-	N1/3BR	N100/300KP	N0.1/0.3MP	N1/3KG
	30IMV&60#	-	-	-	-
	-	N1/5BR	N100/&500KP	N0.1/0.5MP	N1/5KG
	-	-	-	-	-
Positive Pressure	30IMV&100#	-	-	-	-
	-	N1/9BR	N100/900KP	N0.1/9MP	N1/9KG
	15#	1BR	100KP	0.1MP	1KG
	-	1.6BR	160KP	0.16MP	1.6KG
	30#	-	-	-	-
	-	2.5BR	250KP	0.25MP	2.5KG
	60#	4BR	400KP	0.4MP	4KG
	-	6BR	600KP	0.6MP	6KG
	100#	-	-	-	-
	-	10BR	1000KP	1MP	10KG
	160#	-	-	-	-
	200#	-	-	-	-
	-	16BR	1600KP	1.6MP	16KG
	300#	-	-	-	-
	-	25BR	2500KP	2.5MP	25KG
	400#	-	-	-	-
	600#	40BR	4000KP	4MP	40KG
	800#	-	-	-	-
	-	60BR	6000KP	6MP	60KG
	1000#	-	-	-	-
	1500#	100BR	10000KP	10MP	100KG
	2000#	-	-	-	-
	-	160BR	16000KP	16MP	160KG
	3000#	-	-	-	-
	-	250BR	25000KP	25MP	250KG
	4000#	-	-	-	-
	5000#	-	-	-	-
6000#	400BR	40000KP	40MP	400KG	
-	600BR	60000KP	60MP	600KG	
8000#	-	-	-	-	
10000#	-	-	-	-	
15000#	1000BR	100000KP	100MP	1000KG	
(1) 20000#	1400BR	140000KP	140MP	1400KG	

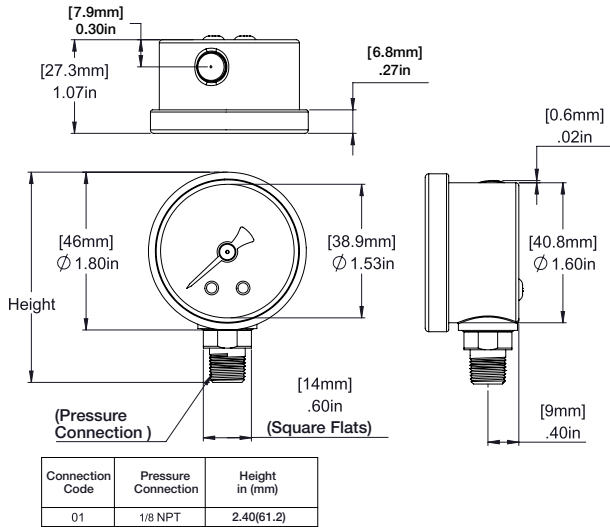
(1) Only available on 50mm size

# Data Sheet

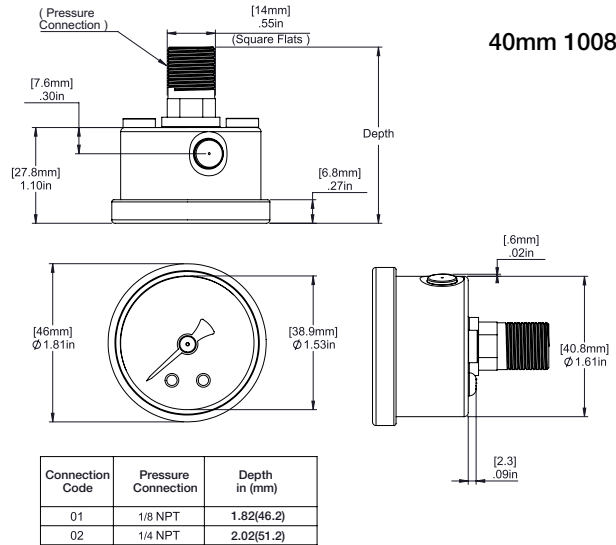
## 1008S 40mm (1½") & 50mm (2") Stainless Steel Case Pressure Gauge

**DIMENSIONS** dimensions in [ ] are millimeters

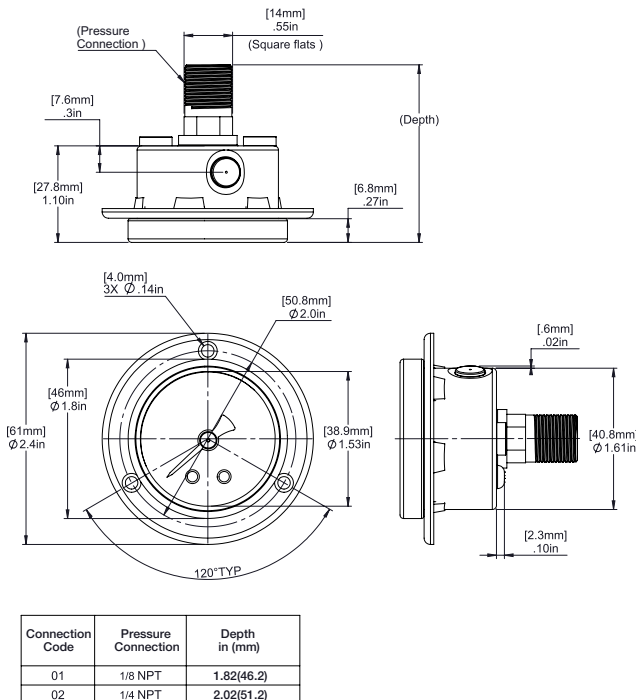
### 40mm 1008S 01L



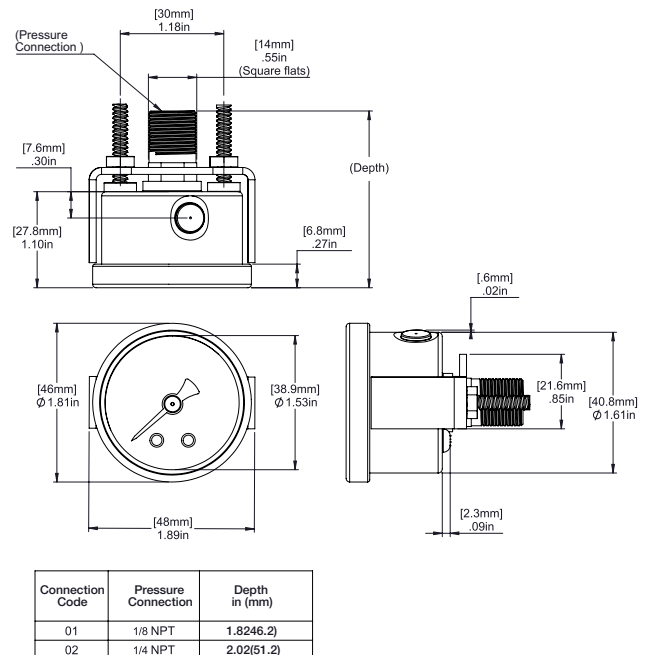
### 40mm 1008S 01B



### 40mm 1008S 01B XFF



### 40mm 1008S 01B XUC



### Panel Cutout Dimensions for 40mm gauge

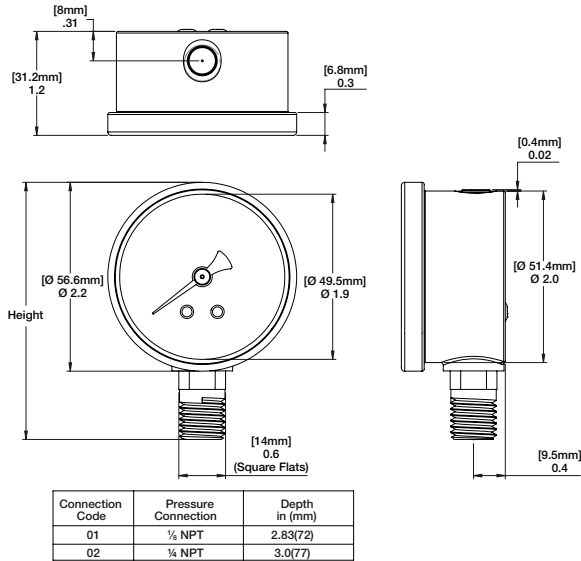
40mm (1½")	Min. Cutout Dia.	Max. Cutout Dia.
XUC	1.65" (42mm)	1.69" (43mm)
XFF	1.73" (44mm)	1.77" (45mm)

# Data Sheet

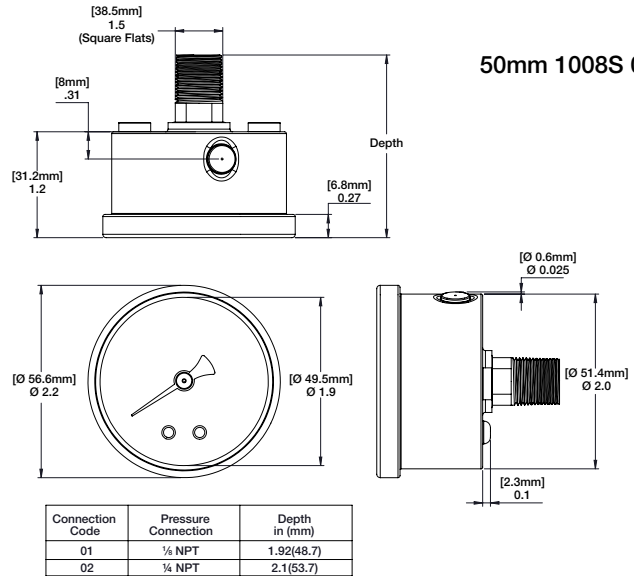
## 1008S 50mm (2") Stainless Steel Case Pressure Gauge

**DIMENSIONS** dimensions in [ ] are millimeters

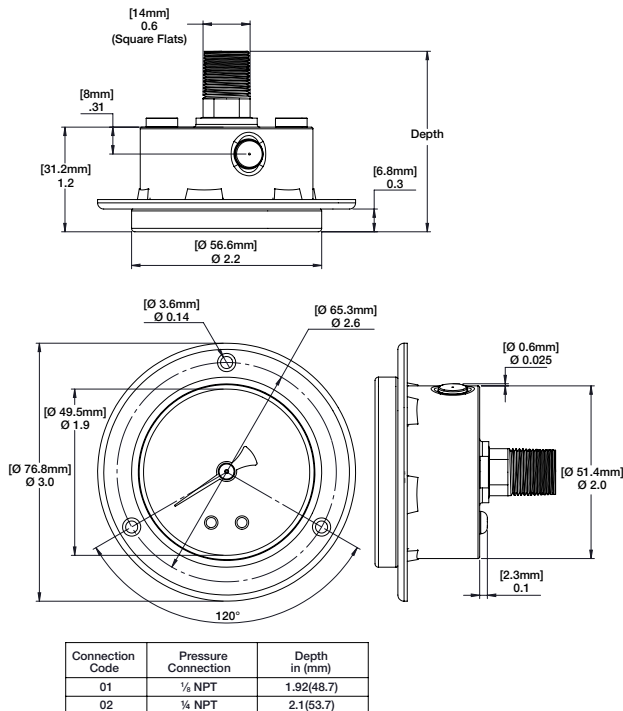
### 50mm 1008S 02L



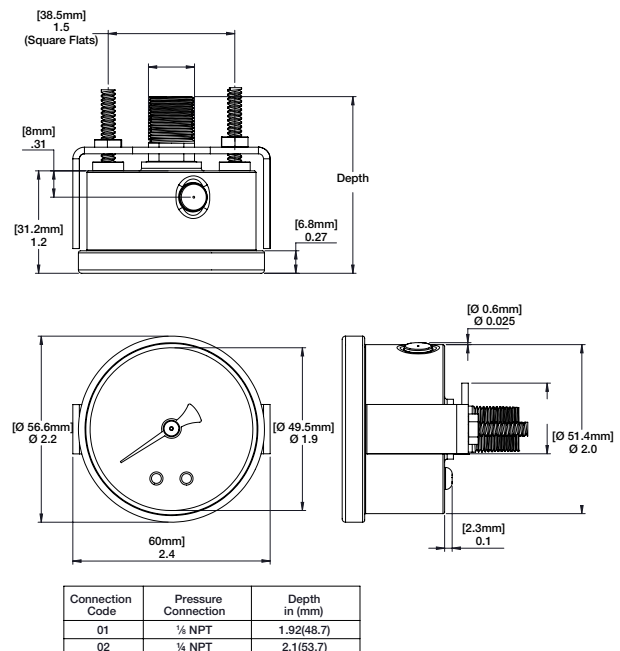
### 50mm 1008S 02B



### 50mm 1008S 02B XFF



### 50mm 1008S 02B XUC



### Panel Cutout Dimensions for 50mm gauge

50mm (2")	Min. Cutout Dia.	Max. Cutout Dia.
XUC	2.07" (52.5mm)	2.11" (53.5mm)
XFF	2.15" (54.5mm)	2.19" (55.5mm)