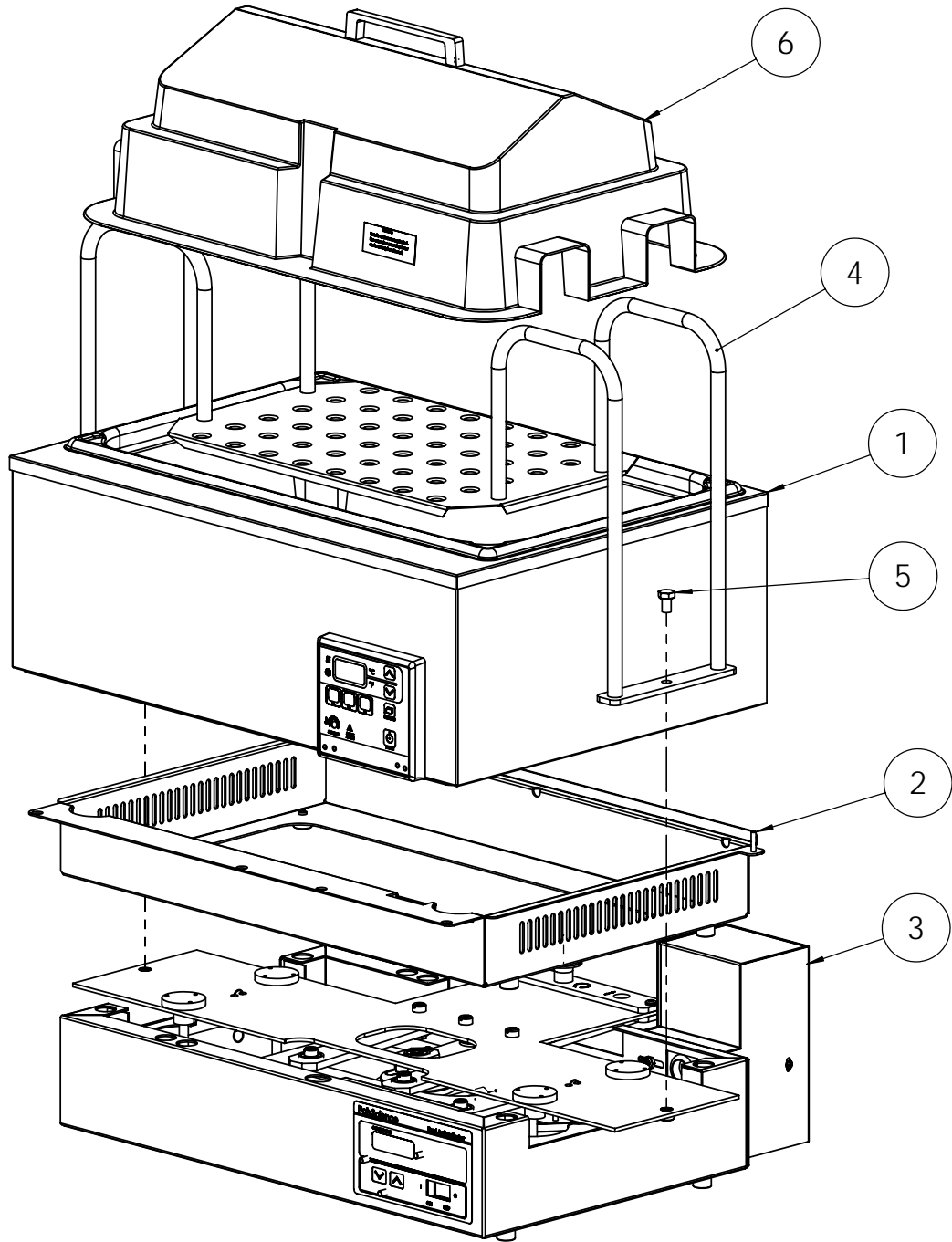


Assembly Instructions

Shaking Water Bath System



Package Contents

1. Water Bath
2. Adapter Plate
3. Shaker Platform
4. Shaker Tray
5. Screw (x 2)
6. Cover

Assembly Instructions

1. Place the Adapter Plate (2) onto the Shaker Platform (3).
2. Place the Water Bath (1) onto the Adapter Plate (2).
3. Place the Shaker Tray (4) into the Water Bath (1) and connect it to the Shaker Platform (3) using the 2 provided Screws (5).
4. Place the Cover (6) onto the Waterbath (1).