

# INTRINSICALLY SAFE ALARM IS-T SERIES

## 1. ENVIRONMENTAL CONDITIONS

- Outdoor, -40 to +60°C, 2000m elevation.
- Suitable for Class I, Div. 1 Hazardous Locations. See “INSTRUCTIONS” for list of all the applicable standards met.

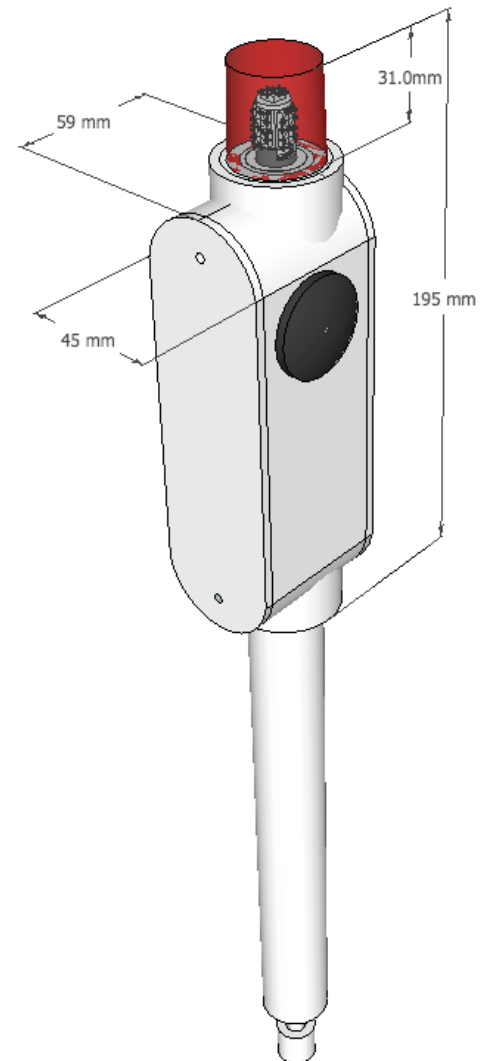
## 2. SPECIFICATIONS

MATERIALS	
Enclosure material	Painted Aluminum
Lens material	Lexan
Push button	Aluminum bezel,plastic operator
Screws for enclosure cover	316 stainless steel
Buzzer diaphragm	316 stainless steel
Buzzer casing	PPE (Norpex AX-190)
Buzzer gasket	BUNA rubber
Reducing Bushing	Brass
LED mount	PVC type (I)
Cover	Stamped Aluminum
Cover gasket	Neoprene (natural)
PHYSICAL PROPERTIES	
Buzzer volume (SPL)	101 dB @ 2 ft
Operating temp (ambient)	-40 to 60°C (-76-140°F)
Maximum temp. (liquid)	149°C [300°F]
Ingress protection	IP65
Weight (IS-T-SS-12 inch)	942 g
BATTERY	
Battery chemistry	Lithium Thionyl Chloride
Battery capacity	2400 mA-hr
Battery pack voltage	7.2VDC
Lithium weight	1.2g (per pack of 2 cells)

# INTRINSICALLY SAFE ALARM IS-T SERIES

	FLOAT SWITCHES				
MATERIAL	S.G.	MAX. TEMP.	FLOAT	STEM	CLIPS
Stainless	0.75	300°F	316 SS	316 SS	PH 15-7 Mo
BUNA	0.60	200°F	BUNA	316SS	PH 15-7 Mo
Polypropylene	0.60	200°F	PP	PP	PP
PTFE	0.85	300°F	PTFE	PTFE	PTFE

ELECTRICAL	
Relay carrying current	80mA maximum
Current consumption during alarm	30mA
Float switch behavior	N.C. (open during alarm)
Cable capacitance (optional)	30pf/ft



### 3. DIMENSIONS

NOMINAL SIZE OF PROBE (inches)	ACTUAL WORKING DEPTH (inches)	TOTAL LENGTH WITH ENCLOSURE (inches)
12	12	20
24	24	32
36	36	44
48	48	56
60	60	68



2257 County Rd. 4, building #3 Stanley, NY 14561

[www.gizmo-engineering.com](http://www.gizmo-engineering.com)

Aug 29, 2019