

**NKP
LEVEL SWITCH**



Flow
Pressure
Level
Temperature
measurement
monitoring
control

N1



- **Excellent Chemical Resistance**
- **Small Size-Easy Installation**
- **N/O or N/C User Selectable**
- **Hermetically Sealed Reed Switch**
- **NEMA 6 Protection**
- **Cost Effective**
- **Ideal for Tanks with Inaccessible
Tops or Bottoms**



USA

KOBOLD Instruments Inc.
1801 Parkway View Drive
USA-Pittsburgh, PA 15205
☎ +1 412-788-2830
Fax +1 412-788-4890
E-mail: info@koboldusa.com



CANADA

KOBOLD Instruments Canada Inc.
9A Aviation
Pointe-Claire, QC H9R 4Z2
☎ +1 514-428-8090
Fax +1 514-428-8899
E-mail: kobold@kobold.ca

Visit KOBOLD Online at
www.kobold.com

Model:
NKP



Features

- Excellent Chemical Resistance
- Small Size-Easy Installation
- N/O or N/C User Selectable
- Hermetically Sealed Reed Switch
- NEMA 6 Protection
- Cost Effective
- Ideal for Tanks with Inaccessible Tops or Bottoms
- Virtually Maintenance-Free

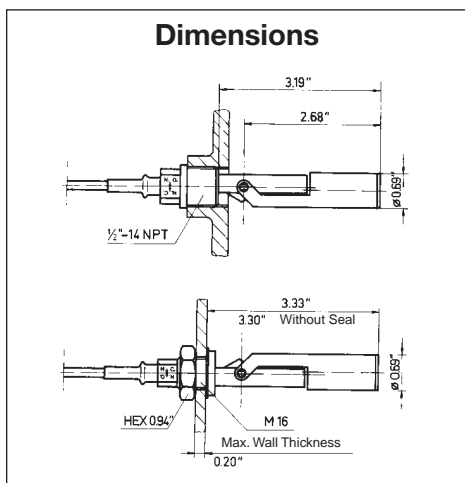
Kobold's NKP is a highly cost effective level switch. The unit is available in either polypropylene or PVDF construction for maximum compatibility with aggressive liquids. The NKP is distinguished by its instant response, small footprint and high capacity reed switch.

Operation

The NKP is installed into the sidewalls of tanks. The plastic float contains a magnet which moves as the liquid level rises above or drops below the switch installation point. This movement brings the magnet into close proximity with a hermetically sealed reed contact, causing it to switch. The contact function may be selected as either normally open or normally closed by rotating the switch 180° about its axis. This simple design makes the NKP virtually maintenance free.

Specifications

- Materials:**
Float: Polypropylene or PVDF
Housing: Polypropylene or PVDF
Seal: Viton (bulkhead only)
Fittings: 1/2" NPT or bulkhead
Orientation: Horizontal ± 30°
Max. Temperature:
Polypropylene: 175°F
PVDF: 212°F
Max. Pressure: 145 PSIG
Min. Fluid Density
Polypropylene: 0.6 g/ml
PVDF: 0.95 g/ml
Reed Switch
Max. Voltage: 250 VAC
Max. Current: 1.5 A
Max. Power: 50 watts
Cabling: 3 ft., PVC clad, AWG 20/2
Protection: NEMA 6/IP67



Ordering Data

Fittings	PP	PVDF
1/2" NPT	NKP-2401	NKP-2501
Bulkhead	NKP-6401	NKP-6501