

Isolation Signal Splitter

ISO PAQ-32P



www.inor.com, www.inor.se

The user instruction must be read prior to adjust and/or installation. All information subject to change without notice.



This product should not be mixed with other kind of scrap, after usage. It should be handled as an electronic/electric device.

MEASURE OF SUCCESS

IsoPAQ-32

1. Before Startup



When operating the isolating transmitter, certain parts of the module can carry dangerous voltage! Ignoring the warnings can lead to serious injury and/or cause damage!

The isolation transmitter should only be installed and put into operation by qualified staff. The staff must have studied the warnings in these operating instructions thoroughly.

The transmitter may not be put into operation if the housing is open.

In applications with high operating voltages sufficient distance and isolation as well as shock protection must be ensured.

Safe and trouble-free operation of this device can only be guaranteed if transport, storage and installation are carried out correctly and operation an maintenance are carried out with care.



Appropriate safety measures against electrostatic discharge (ESD) should be taken during range selection and assembly on the transmitter.

2. Short Description

The Isolation Signal Splitter is used for isolation, conversion and distribution of 0/4 ... 20 mA and 0 ... 5/10 V standard process signals. The input signal and two output signals each can be separately selected by the Order No.

The 4-Port-Isolation guarantees reliable decoupling of the sensor circuit from the processing circuit and prevents linked measurement circuits from influencing each other. The Protective Separation with high isolation level provides protection for personnel and downstream devices against impermissibly high voltage.

3. Functioning

The input signal is modulated and then electrically decoupled using a transformer. The isolated signal is then made available at two outputs, demodulated, filtered and amplified.

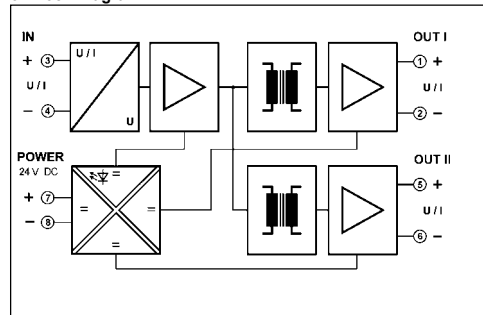
4. Mounting, Electrical Connection

The isolation amplifier is mounted on standard 35 mm DIN rail.

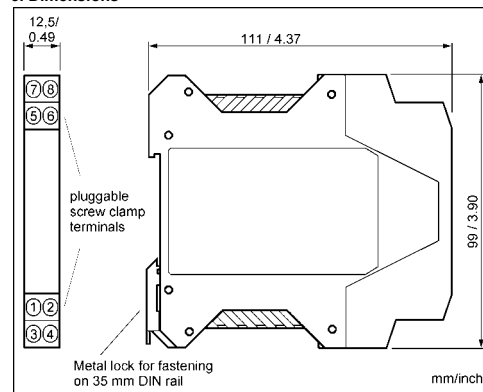
Terminal assignments

1 Output I +	5 Output II +
2 Output I -	6 Output II -
3 Input +	7 Power supply
4 Input -	8 Power supply

5. Block Diagram



6. Dimensions



7. Technical Data

Input		
Input signal	0 ... 20 mA	0 ... 5 V
(see Product line)	4 ... 20 mA	0 ... 10 V
Input resistance	Current input	30 Ω
	Voltage input	500 kΩ
Overload		
	Current input	≤ 200 mA
	Voltage input	≤ 30 V
Output		
Output signal	0 ... 20 mA	0 ... 5 V
(see Product line)	4 ... 20 mA	0 ... 10 V
Load	Current output	≤ 500 Ω
	Voltage output	≥ 2 kΩ
Offset	20 μA, 10 mV	
Ripple	< 10 mV _{rms}	
General data		
Transmission error	< 0.1 % of final value	
Temperature coefficient ¹⁾	< 0.015 % of final value / K	
Response time	< 5 ms	
Test voltage	2.5 kV, 50 Hz	
	input against output against power supply	
Working voltage ²⁾	Up to 600 V AC/DC for overvoltage category II and pollution degree 2 acc. to EN 61010-1 between all circuits.	
Protection against dangerous body currents ³⁾	Protective separation according to EN 61140 by reinforced insulation in accordance with EN 61010-1 up to 300 V AC/DC for overvoltage category II and pollution degree 2 between all circuits.	
Ambient temperature	Operation	-10 °C to +60 °C (+14 to 140 °F)
	Transport and storage	-20 °C to +80 °C (-4 to 176 °F)
Power supply	24 V DC (20 ... 30 V DC)	approx. 1.5 W
EMC ³⁾	EN 61326-1	
Construction	12,5 mm (0.5") housing, protection type: IP 20	
Connection	≤ 2.5 mm ² , AWG 14	
Weight	Approx. 100 g	

- Average TC in specified operating temperature range
- As far as relevant the standards and rules mentioned above are considered by development and production of our devices. In addition relevant assembly rules are to be considered by installation of our devices in other equipments. For applications with high working voltages, take measures to prevent accidental contact and make sure that there is sufficient distance or insulation between adjacent situated devices.
- Minor deviations possible during interference

8. Order Information

Product	Part No.	X	X	X
IsoPAQ-32P	70ISP32	X	X	X
Input	0 ... 20 mA	0		
	4 ... 20 mA	1		
	0 ... 5 V	2		
	0 ... 10 V	3		
Output I	0 ... 20 mA	0		
	4 ... 20 mA	1		
	0 ... 5 V	2		
	0 ... 10 V	3		
Output II	0 ... 20 mA	0		
	4 ... 20 mA	1		
	0 ... 5 V	2		
	0 ... 10 V	3		

Other signals on request.

LIMITED WARRANTY

INOR Process AB, or any other affiliated company within the Inor Group (hereinafter jointly referred to as "Inor"), hereby warrants that the Product will be free from defects in materials or workmanship for a period of **five (5) years** from the date of delivery ("Limited Warranty"). This Limited Warranty is limited to repair or replacement at Inor's option and is effective only for the first end-user of the Product. Upon receipt of a warranty claim, Inor shall respond within a reasonable time period as to its decision concerning:

- Whether Inor acknowledges its responsibility for any asserted defect in materials or workmanship; and, if so,
- the appropriate cause of action to be taken (i.e. whether a defective product should be replaced or repaired by Inor).

This Limited Warranty applies only if the Product:

- is installed according to the instructions furnished by Inor;
- is connected to a proper power supply;
- is not misused or abused; and
- there is no evidence of tampering, mishandling, neglect, accidental damage, modification or repair without the approval of Inor or damage done to the Product by anyone other than Inor.

This Limited Warranty is provided by Inor and contains the only express warranty provided.

INOR SPECIFICALLY DISCLAIMS ANY EXPRESS WARRANTY NOT PROVIDED HEREIN AND ANY IMPLIED WARRANTY, GUARANTEE OR REPRESENTATION AS TO SUITABILITY FOR ANY PARTICULAR PURPOSE, PERFORMANCE, QUALITY AND ABSENCE OF ANY HIDDEN DEFECTS, AND ANY REMEDY FOR BREACH OF CONTRACT, INCLUDING IMPLIED WARRANTIES OF MERCHANTABILITY AND FITNESS FOR A PARTICULAR PURPOSE. EXCEPT AS PROVIDED HEREIN, INOR FURTHER DISCLAIMS ANY RESPONSIBILITY FOR LOSSES, EXPENSES, INCONVENIENCES, SPECIAL, DIRECT, SECONDARY OR CONSEQUENTIAL DAMAGES ARISING FROM OWNERSHIP OR USE OF THE PRODUCT.

Products that are covered by the Limited Warranty will either be repaired or replaced at the option of Inor. Customer pays freight to Inor, and Inor will pay the return freight by post or other "normal" way of transport. If any other type of return freight is requested, customer pays the whole return cost.

INOR Process AB
PO Box 9125
200 39 MALMÖ
SWEDEN

Phone: +46 40 31 25 60
Fax: +46 40 31 25 70
E-mail: support@inor.se
Internet: www.inor.com